



PRESTIGE *Signature Series* Trash Receptacle Cabinets 25" Wide Units



PRSJT-12-DR



Item #: _____ Qty #: _____
 Model #: _____
 Project #: _____

FEATURES:

All stainless steel construction.
 Helps keep bar area clean.
 Open bottom with Hinged Door.
 Accommodates Slim Jim® Trash Can measuring 11" x 20" x 25 (15 7/8 gallon capacity) - trash can not included.
 Units mount between equipment line up.

MATERIAL:

20 gauge, 300 stainless steel



PRSJT-12

Model #	Size L x W x H	Approx. Weight	Approx. Cu. Ft.
---------	-------------------	-------------------	--------------------

36" High Trash Receptacle Cabinet

PRSJT-12-DR	12" x 25" x 36"	60 lbs.	9
-------------	-----------------	---------	---

Trash Receptacle Cover

PRSJT-12	12" x 25" x 19"	33 lbs.	4
----------	-----------------	---------	---



PRT-12

FEATURES:

All stainless steel construction.
 Helps keep bar area clean.
 Open bottom with Hinged Door.
 Accommodates Slim Jim® Trash Can measuring 11" x 20" x 25 (15 7/8 gallon capacity) - trash can not included.
 Units mount between equipment line up.
 Removable stainless steel Sliding Cover.

MATERIAL:

20 gauge, 300 stainless steel

Model #	Size L x W x H	Approx. Weight	Approx. Cu. Ft.
---------	-------------------	-------------------	--------------------

19" High Trash Receptacle Cabinet

PRT-12*	12" x 25" x 19"	35 lbs.	4
---------	-----------------	---------	---



Customer Service Available To Assist You 1-800-645-3166 8:30 am - 8:00 pm E.S.T.

For Orders & Customer Service:
 Email: customer@advancetabco.com or Fax: 631-242-6900

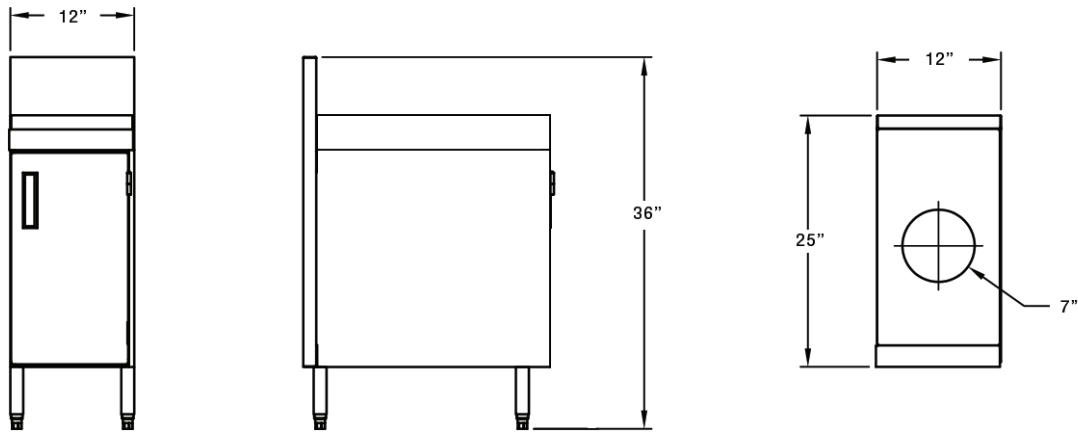
For Smart Fabrication™ Quotes:
 Email: smartfab@advancetabco.com or Fax: 631-586-2933

DIMENSIONS and SPECIFICATIONS

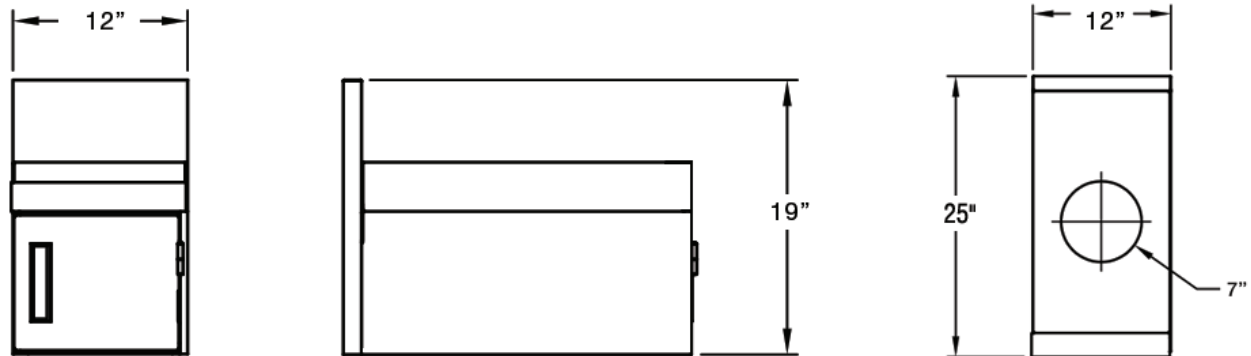
TOL Overall: $\pm .500$ " Interior: $\pm .250$ "

ALL DIMENSIONS ARE TYPICAL

PRSJT-12-DR



PRSJT-12



PRT-12

