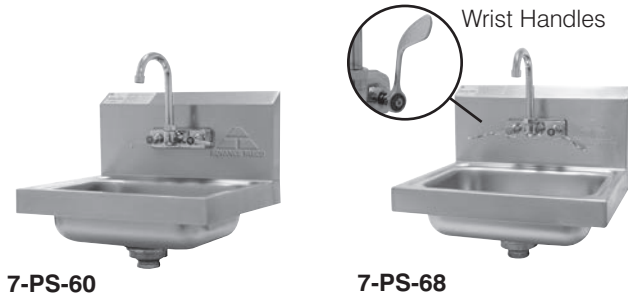




STAINLESS STEEL  
**HAND SINKS**  
**STANDARD**

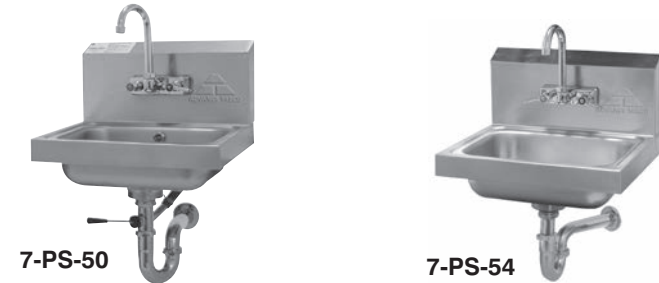


**SPLASH MOUNTED FAUCETS**



7-PS-60

7-PS-68

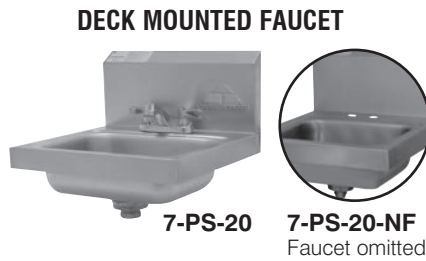


7-PS-50

7-PS-54



7-PS-67



7-PS-20

7-PS-20-NF  
Faucet omitted

**SINGLE HOLE PUNCH**  
Faucet omitted



7-PS-71

**DOUBLE HOLE PUNCH**  
Faucet omitted



7-PS-70

**LARGE SIZE SINK BOWLS**

Features  
 Large Size  
 Sink Bowl  
 16" x 20" x 8"



7-PS-45

Features  
 Large Size  
 Sink Bowl  
 16" x 14" x 8"



7-PS-49

Item #: \_\_\_\_\_ Qty #: \_\_\_\_\_  
 Model #: \_\_\_\_\_  
 Project #: \_\_\_\_\_

**Keyhole Bracket for easier installation and greater stability.**



**FEATURES:**

One piece **Deep Drawn** sink bowl design.

Sink bowl is 10" x 14" x 5".

**7-PS-45** sink bowl size is 16" x 20" x 8".

**7-PS-49** sink bowl size is 16" x 14" x 8".

All sink bowls have a large liberal radii with a minimum dimension of 2" and are rectangular in design for increased capacity.

Keyhole wall mount bracket.

Stainless steel basket drain 1-1/2" IPS.

**Additional Features:**

**7-PS-20** 4" O.C. deck mounted centerset faucet.

**7-PS-20-NF** Deck mounted faucet omitted. 4" O.C. hole punch.

**7-PS-45** Same as above plus 2 Support Brackets (Hardware Included).

**7-PS-49** 4" O.C. splash mounted gooseneck faucet.

**7-PS-50** Lever operated drain and built-in overflow with plastic overflow tube and spring clamps. 1-1/2" P-Trap. 4" O.C. splash mounted gooseneck faucet.

**7-PS-54** 4" O.C. splash mounted gooseneck faucet. Features 1-1/2" P-Trap.

**7-PS-60** 4" O.C. splash mounted gooseneck faucet.

**7-PS-67** Features lever operated drain.

**7-PS-68** 4" O.C. splash mounted gooseneck faucet with Wrist Handles.

**7-PS-70** Splash mounted faucet omitted. 4" O.C. hole punch.

**7-PS-71** Splash mounted faucet omitted. Single center hole.

**CONSTRUCTION:**

All TIG welded.

Welded areas blended to match adjacent surfaces and to a satin finish.

Die formed Countertop Edge with a No-Drip offset.

One sheet of stainless steel - No Seams.

**MATERIAL:**

Heavy gauge type 304 series stainless steel.

Wall mounting bracket is Galvanized and of offset design.

All fittings are brass / chrome plated unless otherwise indicated.

**MECHANICAL:**

Faucet supply is 1/2" IPS male thread hot and cold.

**Standard Faucet conforms to NSF 61 Standard 9.  
 Faucets Are AB1953 Lead Free Compliant.**

For Replacement Faucets & Upgrades, Drains & Accessories  
 Visit our website at [www.advancetabco.com](http://www.advancetabco.com)



**Customer Service Available To Assist You 1-800-645-3166 8:30 am - 8:00 pm E.S.T.**

For Orders & Customer Service:

Email: [customer@advancetabco.com](mailto:customer@advancetabco.com) or Fax: 631-242-6900

For Smart Fabrication™ Quotes:

Email: [smartfab@advancetabco.com](mailto:smartfab@advancetabco.com) or Fax: 631-586-2933

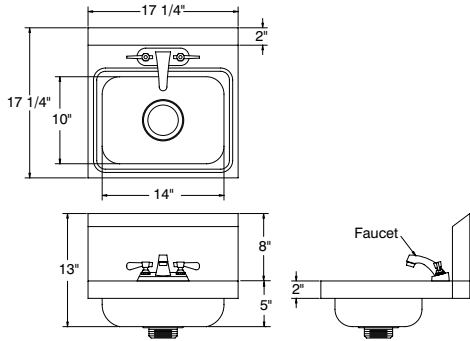
# DIMENSIONS and SPECIFICATIONS

TOL Overall: ± .500" Interior: ± .250"

FITTINGS SUPPLIED AS SHOWN

ALL DIMENSIONS ARE TYPICAL

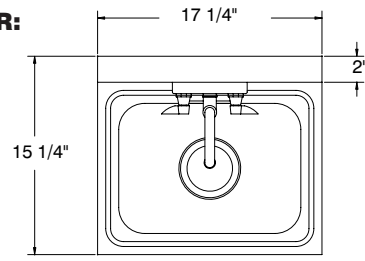
7-PS-20



15 lbs.

TOP VIEW FOR:

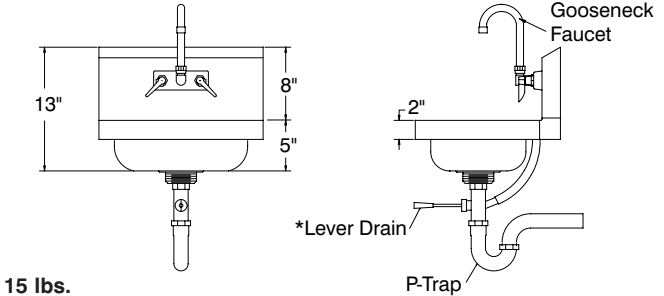
7-PS-50  
7-PS-54  
7-PS-60  
7-PS-68  
7-PS-70



Sink Bowl 10" x 14" x 5"

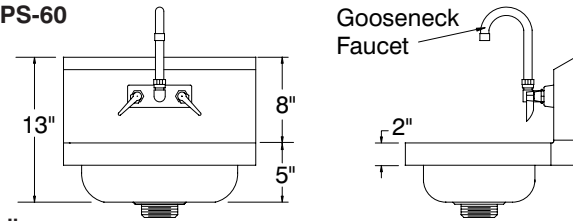
7-PS-50 & 7-PS-54\*

NOTE: \*7-PS-54 Hand Sink Excludes Lever Drain and Overflow



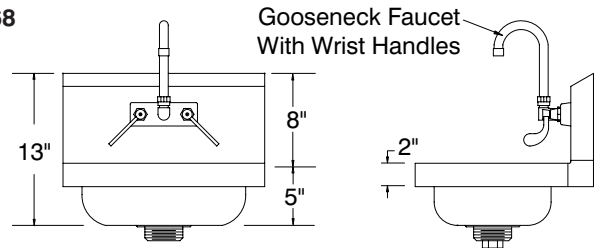
15 lbs.

7-PS-60



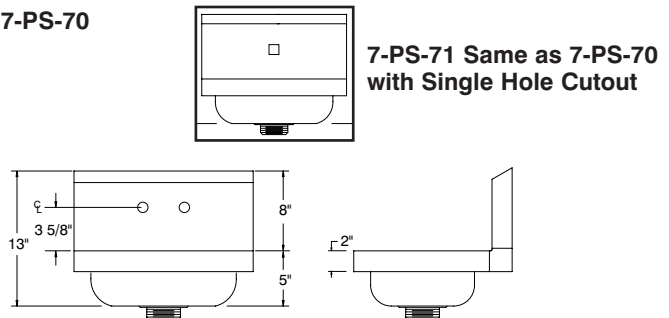
13 lbs.

7-PS-68



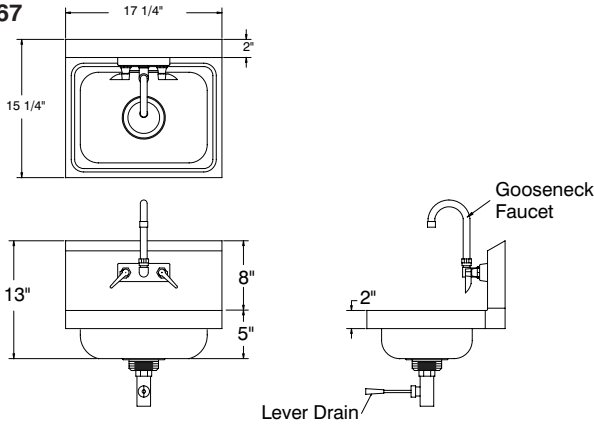
13 lbs.

7-PS-70



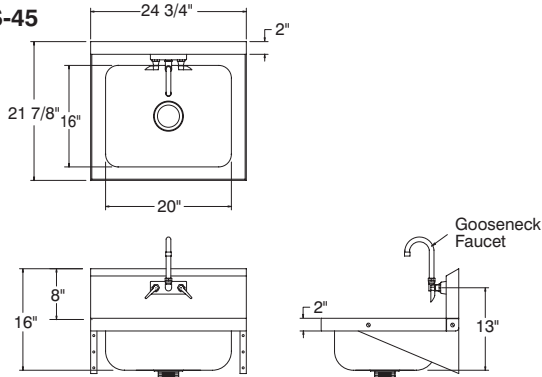
12 lbs.

7-PS-67



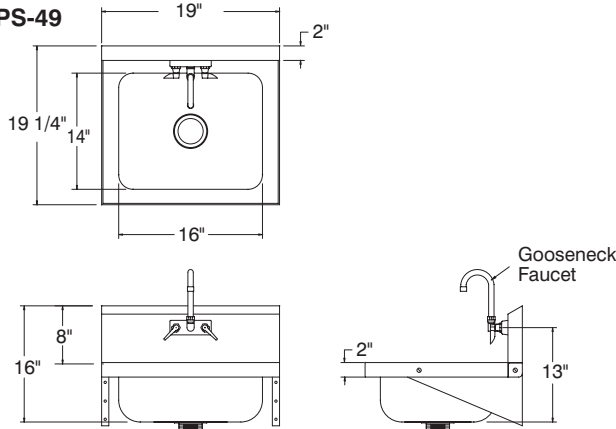
15 lbs.

7-PS-45



31 lbs.

7-PS-49



31 lbs.

7-PS-71 Same as 7-PS-70 with Single Hole Cutout

