



STAINLESS STEEL
ECONOMY HAND SINKS
7-PS-EC, 7-PS-70-EC & 7-PS-71-EC



Item #:	_____	Qty #:	_____
Model #:	_____		
Project #:	_____		



7-PS-EC



7-PS-70-EC



7-PS-71-EC

FEATURES:

Deep Drawn sink bowl design.

Sink bowl is 10" x 14" x 5".

Sink bowl has a large liberal radii with a minimum dimension of 2" and are rectangular in design for increased capacity.

Stainless steel 1-1/2" basket drain. 1-1/2" IPS.

7-PS-EC - 4" O.C. economy splash mounted gooseneck faucet, chrome plated & furnished with aerator.

NOTE: This faucet is AB1953 Lead Free Compliant.

7-PS-70-EC - Faucet not included. Two holes punched 4" O.C

7-PS-71-EC - Faucet not included. Single square hole punched.

MATERIAL:

Heavy gauge type 304 series stainless steel.

Wall mounting bracket is Galvanized and of offset design.

All fittings are brass / chrome plated unless otherwise indicated

MECHANICAL:

Faucet supply is 1/2" IPS male thread hot and cold.

OPTIONAL:

K-59-EC-OMIT - omit faucet on 7-PS-EC sink

CONSTRUCTION:

All TIG welded.

Welded areas blended to match adjacent surfaces and to a satin finish.

Die formed Countertop Edge with a No-Drip offset.

Customer Service Available To Assist You **1-800-645-3166** 8:30 am - 8:00 pm E.S.T.

For Orders & Customer Service:

Email: customer@advancetabco.com or Fax: 631-242-6900

For Smart Fabrication™ Quotes:

Email: smartfab@advancetabco.com or Fax: 631-586-2933



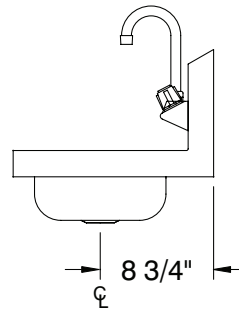
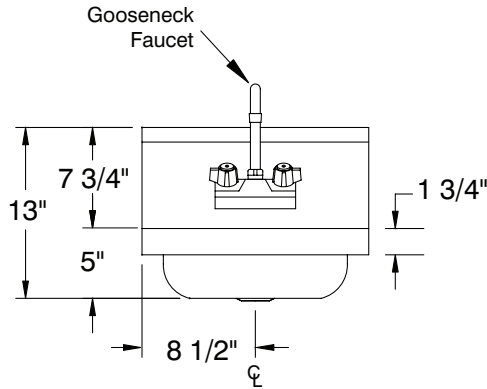
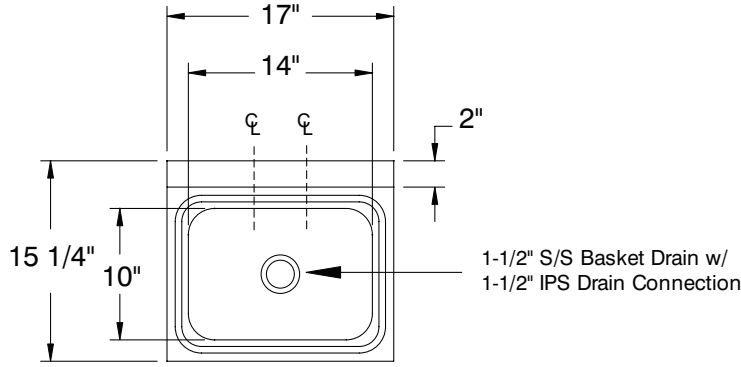
DIMENSIONS and SPECIFICATIONS

TOL ± .500"

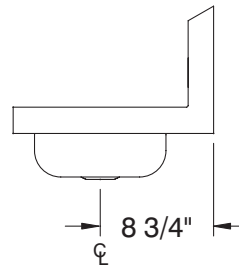
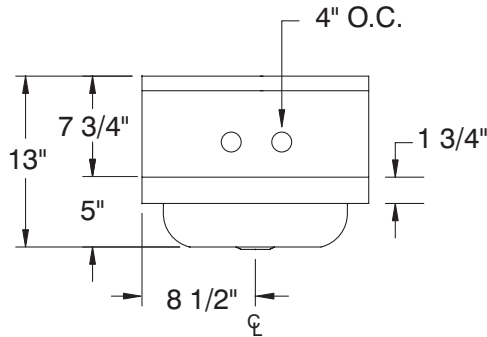
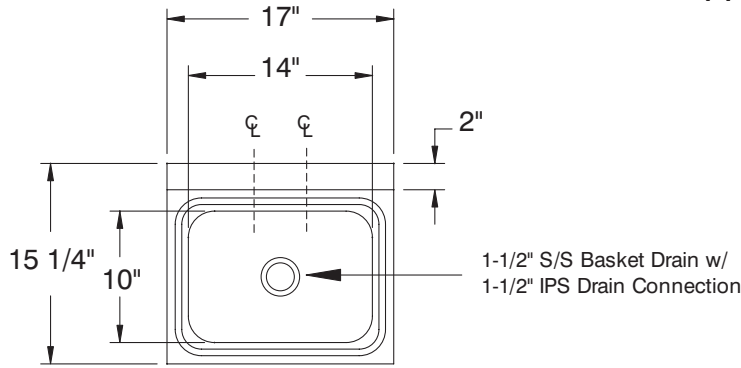
FITTINGS SUPPLIED AS SHOWN

ALL DIMENSIONS ARE TYPICAL

7-PS-EC



7-PS-70-EC



7-PS-71-EC Same As 7-PS-70-EC with Single Hole Cutout

