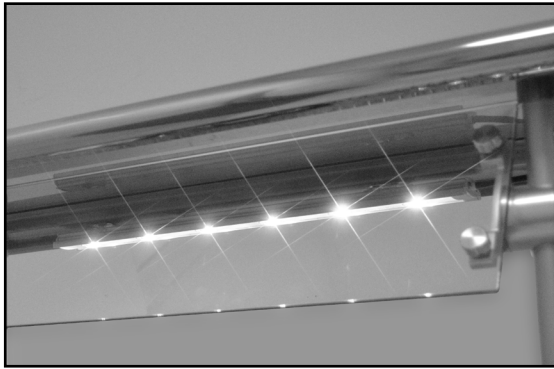




LED DISPLAY LIGHTING

For Sleek Shield™ Food Shields



Item #: _____ Qty #: _____
 Model #: _____
 Project #: _____

FEATURES:

Includes Class 2 Low Voltage Power Supply-120V-277V
 Available in White, Black & Natural Aluminum Finish
 Available for Stainless Steel Shelf Mounted or Glass Top Mounted

CONSTRUCTION:

High Impact resistant Mounting Clips

MATERIAL:

Aluminum Rail with Shatter-Proof Optics

NOTE: Shelves Require 6" clearance on both sides to fit above LED Lighting.
 5 amps per fixture regardless of length.

FACTORY INSTALLED ONLY • PRINT REQUIRED FOR PROPER LED LOCATION



Stainless Steel Shelf Mounted

MODEL #	Length (L)	Wt.
LED-S-12	12"	4 lbs.
LED-S-24	24"	5 lbs.
LED-S-36	36"	6 lbs.
LED-S-48	48"	7 lbs.
LED-S-60	60"	8 lbs.
LED-S-72	72"	9 lbs.

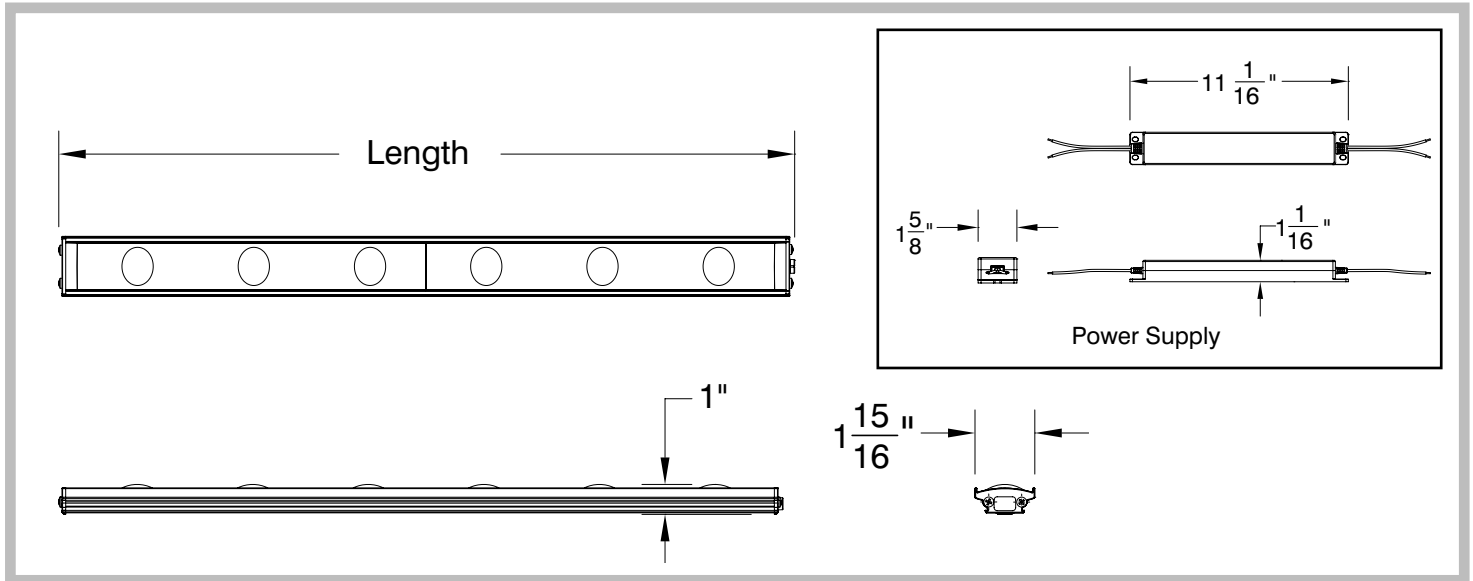
Glass Top Mounted

MODEL #	Length (L)	Wt.
LED-G-12	12"	4 lbs.
LED-G-24	24"	5 lbs.
LED-G-36	36"	6 lbs.
LED-G-48	48"	7 lbs.
LED-G-60	60"	8 lbs.
LED-G-72	72"	9 lbs.

DETAILS and SPECIFICATIONS

TOL ± .500"

ALL DIMENSIONS ARE TYPICAL



Customer Service Available To Assist You **1-800-645-3166** 8:30 am - 8:00 pm E.S.T.

For Orders & Customer Service:

Email: customer@advancetabco.com or Fax: 631-242-6900

For Smart Fabrication™ Quotes:

Email: smartfab@advancetabco.com or Fax: 631-586-2933