

Removable Perforated
Drainboard Top

PRESTIGE *Signature Series* Storage Drainboard Cabinets NSF 25" and 30" Wide Units

Item #: _____	Qty #: _____
Model #: _____	
Project #: _____	



**w/ 1 Drawer
& 1 Hinged Door**
*PR-25-DWR Shown
with Optional Door Lock*

FEATURES:

- Stainless steel enclosed cabinet with 6" storage drawer(s).
- Optional hinged door (3DWR Series).
- Removable perforated drainboard top.
- Stainless steel legs with adjustable stainless steel bullet feet.
- 7 " backsplash.

PR-30 series have rear deck for extra storage

MECHANICAL:

1" IPS drain

MATERIAL:

20 gauge, 300 stainless steel

Drainboard: 18 gauge, 300 stainless steel

Legs: 1-5/8" O.D. 18 gauge, 300 stainless steel legs with 1" adjustable stainless steel bullet feet

OPTIONAL:

SU-27 - Add door lock



w/ 3 Drawers
PR-25-3DWR Shown

	Model #	O.A. Length (L)	O.A. Width (W)	Approx. Weight	Approx. Cu. Ft.
Includes 1 Drawer & 1 Door	PR-25-DWR	24"	25"	55 lbs.	15
	PR-30-DWR	24"	30"	62 lbs.	15
Includes 3 Drawers	PR-25-3DWR	24"	25"	80 lbs.	18
	PR-30-3DWR	24"	30"	85 lbs.	18



Customer Service Available To Assist You 1-800-645-3166 8:30 am - 8:00 pm E.S.T.

For Orders & Customer Service:

Email: customer@advancetabco.com or Fax: 631-242-6900

For Smart Fabrication™ Quotes:

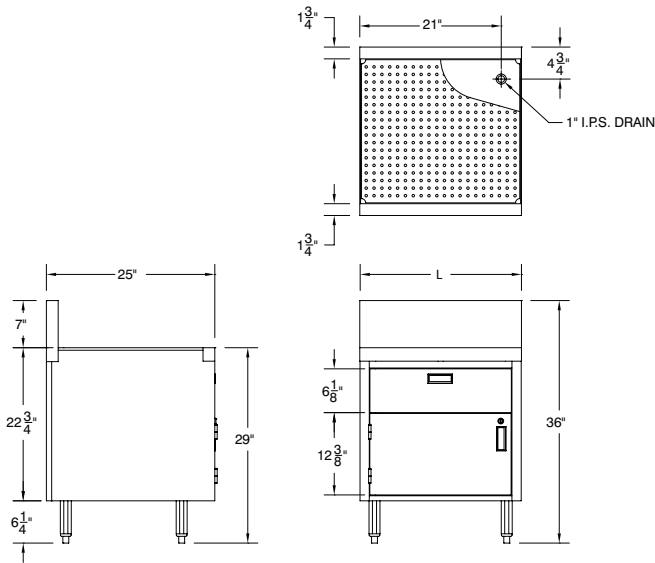
Email: smartfab@advancetabco.com or Fax: 631-586-2933

DIMENSIONS and SPECIFICATIONS

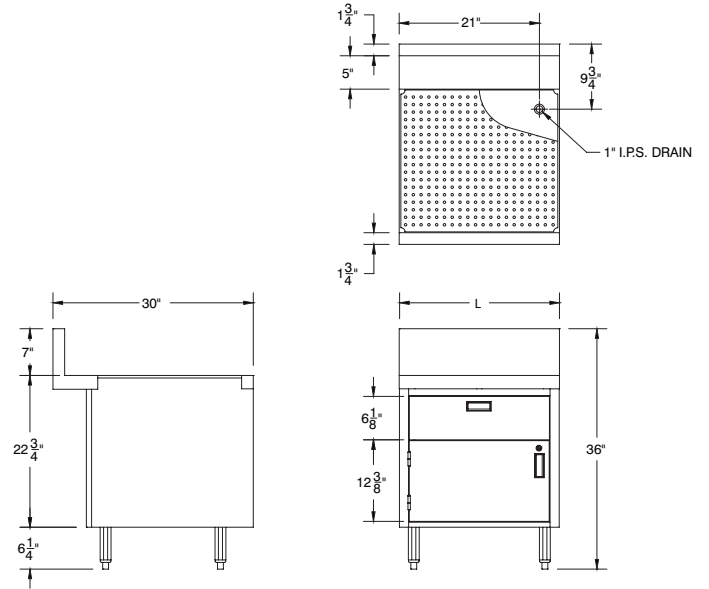
TOL Overall: $\pm .500"$ Interior: $\pm .250"$

ALL DIMENSIONS ARE TYPICAL

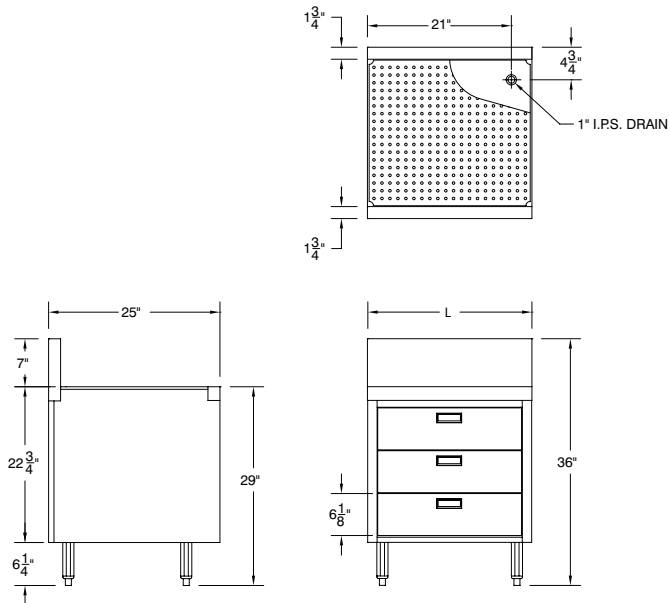
PR-25-DWR



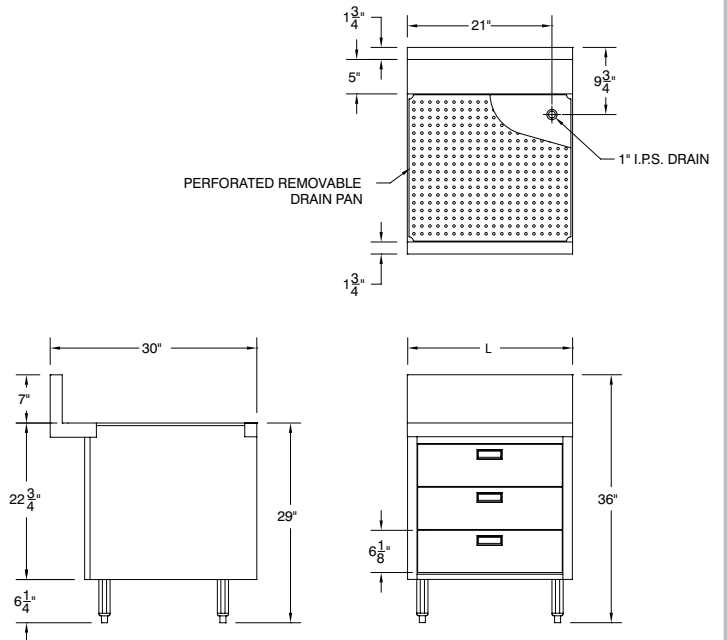
PR-30-DWR



PR-25-3DWR



PR-30-3DWR



ADVANCE TABCO is constantly engaged in a program of improving our products. Therefore, we reserve the right to change specifications without prior notice.