

Drainboards

20" and 25" Wide Units

Item #:	_____	Qty #:	_____
Model #:	_____		
Project #:	_____		



PRD-19 Series
20" Wide Units

FEATURES:

- Perforated removable drainboard.
- Sound deadened.
- Stainless steel top, sides and legs with adjustable stainless steel bullet feet.
- Adjustable stainless steel side cross-bracing.
- 7" backsplash.

MECHANICAL:

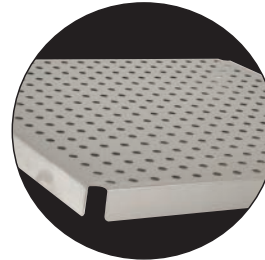
1" IPS drain

MATERIAL:

- 20 gauge, 300 stainless steel
- Drainboard:** 18 gauge, 300 stainless steel
- Legs:** 18 gauge 1 5/8" O.D. with 1" adjustable PRD-stainless steel bullet feet



PRD-24 Series
25" Wide Units



Removable Perforated Drainboard

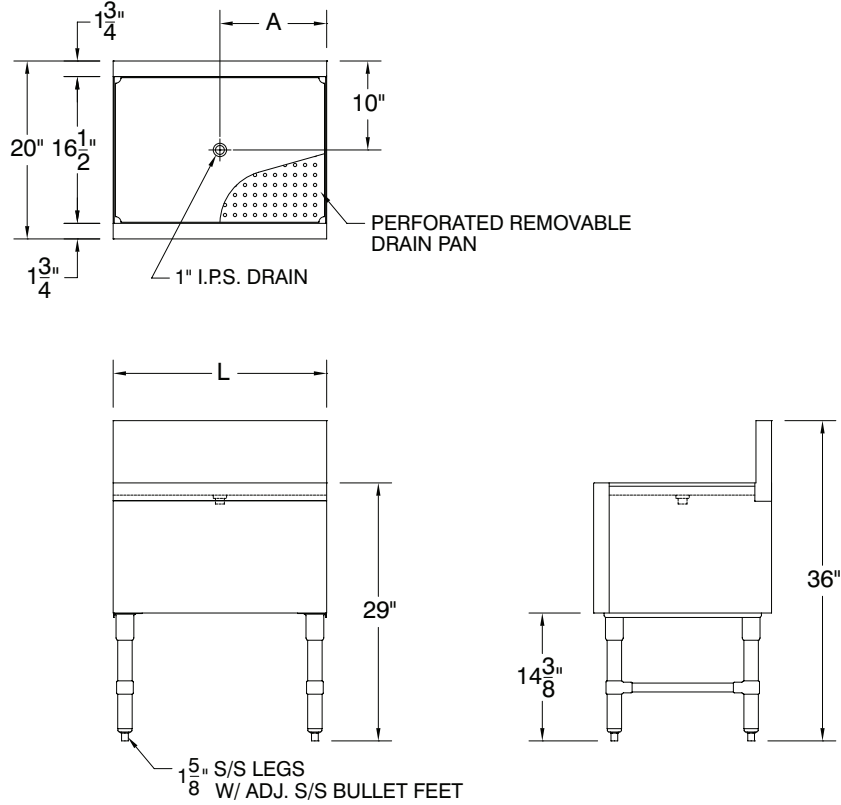
O.A. Length (L)	20" WIDE Model #	Approx. Weight	Approx. Cu. Ft.	25" WIDE Model #	Approx. Weight	Approx. Cu. Ft.	Drain Distance (A)
12"	PRD-19-12	38 lbs.	8	PRD-24-12	45 lbs.	10	6"
18"	PRD-19-18	45 lbs.	8	PRD-24-18	52 lbs.	10	9"
24"	PRD-19-24	52 lbs.	8	PRD-24-24	59 lbs.	10	12"
30"	PRD-19-30	59 lbs.	12	PRD-24-30	66 lbs.	14	15"
36"	PRD-19-36	65 lbs.	12	PRD-24-36	73 lbs.	14	18"
42"	PRD-19-42	70 lbs.	16	PRD-24-42	79 lbs.	19	21"
48"	PRD-19-48	75 lbs.	16	PRD-24-48	86 lbs.	19	24"

DIMENSIONS and SPECIFICATIONS

TOL Overall: $\pm .500"$ Interior: $\pm .250"$

ALL DIMENSIONS ARE TYPICAL

PRD-19 Series



PRD-24 Series

