



PRESTIGE
Signature Series

Underbar Hand Sinks w/ Cabinet Base

20" and 25" Wide Units - Deep Drawn Bowl



Item #:	_____	Qty #:	_____
Model #:	_____		
Project #:	_____		



PRHSC-19 Series
*20" Wide Units With
Splash Mount Faucets*



PRHSC-24 Series
*25" Wide Units With
Deck Mount Faucets*

Featuring **Deep Drawn
Seamless Bowl**



FEATURES:

One piece **Deep Drawn** sink bowl measuring 10" x 14" x 10".
All stainless steel enclosed cabinet base with hinged door.
Provides space for extra storage.
7" backsplash.
Stainless steel with adjustable stainless steel bullet feet.
PRHSC-24 Series has rear deck for extra storage

MECHANICAL:

PRHSC-19 Series: Includes 4" O.C. K-125 splash mount swing spout faucet
PRHSC-24 Series: Includes 4" O.C. K-51 deck mount swing spout faucet
All faucets meet federal lead free standards.
1 1/2" IPS drain with 3 1/2" basket

MATERIAL:

20 gauge, 300 stainless steel
Legs: 1 5/8" O.D. 18 gauge, 300 stainless steel legs with 1" adjustable plastic bullet feet

20" WIDE				25" WIDE				Drain Location (B)
Model #	Size W x L x H	Approx. Weight	Approx. Cu. Ft.	Model #	Size W x L x H	Approx. Weight	Approx. Cu. Ft.	
PRHSC-19-12	20" x 12" x 36"	78 lbs.	9	PRHSC-24-12	25" x 12" x 36"	83 lbs.	10	3 7/8"
PRHSC-19-18	20" x 18" x 36"	80 lbs.	9	PRHSC-24-18	25" x 18" x 36"	85 lbs.	10	6 7/8"



Customer Service Available To Assist You **1-800-645-3166** 8:30 am - 8:00 pm E.S.T.

For Orders & Customer Service:
Email: customer@advancetabco.com or Fax: 631-242-6900

For Smart Fabrication™ Quotes:
Email: smartfab@advancetabco.com or Fax: 631-586-2933

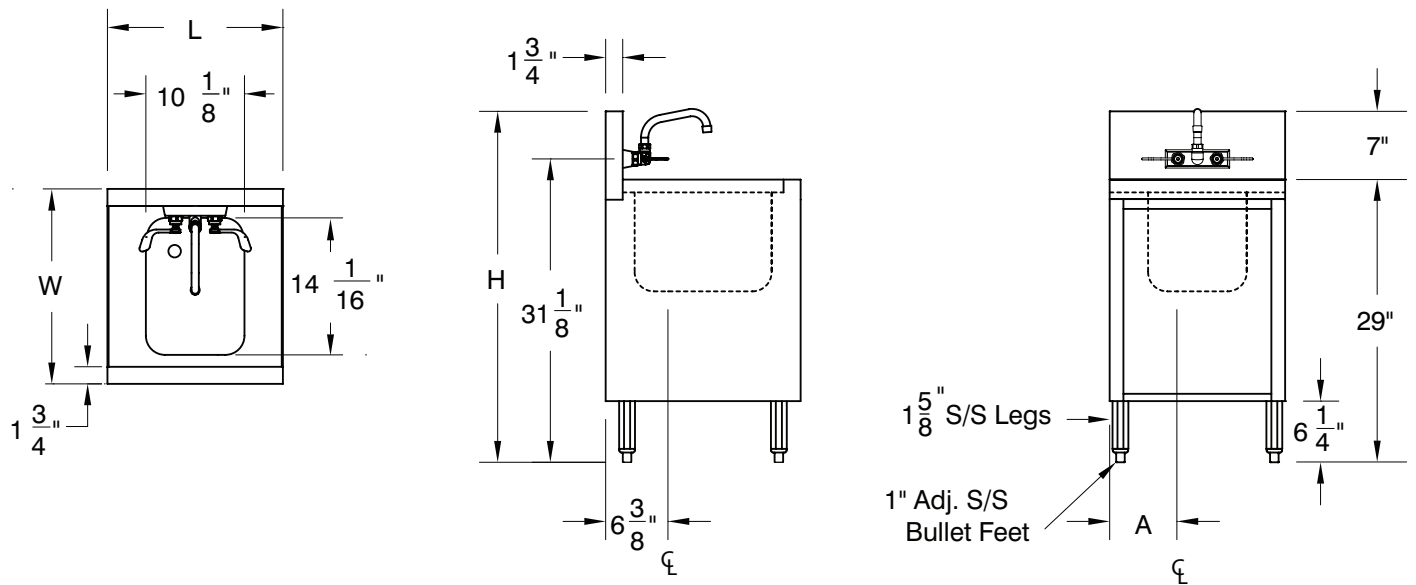
DIMENSIONS and SPECIFICATIONS

TOL Overall: $\pm .500"$ Interior: $\pm .250"$

ALL DIMENSIONS ARE TYPICAL

PRHSC-19 Series

Shown with optional wrist handles



PRHSC-24 Series

Shown with optional wrist handles

