



PRESTIGE
Signature Series

Underbar Hand Sink w/ Soap/Towel Dispensers

20" and 25" Wide Units - Deep Drawn Bowls



Item #:	_____	Qty #:	_____
Model #:	_____		
Project #:	_____		



PRHSST-19 Series
*20" Wide Units With
Splash Mount Faucets*

**Featuring Deep Drawn
Seamless Bowl**



FEATURES:

- One piece **Deep Drawn** sink bowl.
- Built-in deck mount soap dispenser and c-fold towel dispenser.
- 7" backsplash.
- Stainless steel top, apron, sides, legs & adjustable bullet feet.
- Adjustable stainless steel side cross-bracing

PRHSST-24 Series has rear deck for extra storage

MECHANICAL:

PRHSST-19 Series: Includes 4" O.C. K-125 splash mount swing spout faucet

PRHSST-24 Series: Includes 4" O.C. K-51 deck mount swing spout faucet

All faucets meet federal lead free standards.

1 1/2" IPS drain with 3 1/2" basket

MATERIAL:

20 gauge, 300 stainless steel

Legs: 1 5/8" O.D. 18 gauge, 300 stainless steel legs with 1" adjustable stainless steel bullet feet



PRHSST-24 Series
*25" Wide Units With
Deck Mount Faucets*

20" WIDE					25" WIDE					Drain Location (A)
Model #	Size W x L x H	Bowl Size	Approx. Weight	Approx. Cu. Ft.	Model #	Size W x L x H	Bowl Size	Approx. Weight	Approx. Cu. Ft.	
PRHSST-19-12	20" x 12" x 36"	9"x 9"x 4"	53 lbs.	8	PRHSST-24-12	25" x 12" x 36"	9"x 9"x 4"	58 lbs.	8	6"
PRHSST-19-18	20" x 18" x 36"	10"x 14"x 10"	55 lbs.	9	PRHSST-24-18	25" x 18" x 36"	10"x 14"x 10"	60 lbs.	9	9"



Customer Service Available To Assist You 1-800-645-3166 8:30 am - 8:00 pm E.S.T.

For Orders & Customer Service:
Email: customer@advancetabco.com or Fax: 631-242-6900

For Smart Fabrication™ Quotes:
Email: smartfab@advancetabco.com or Fax: 631-586-2933

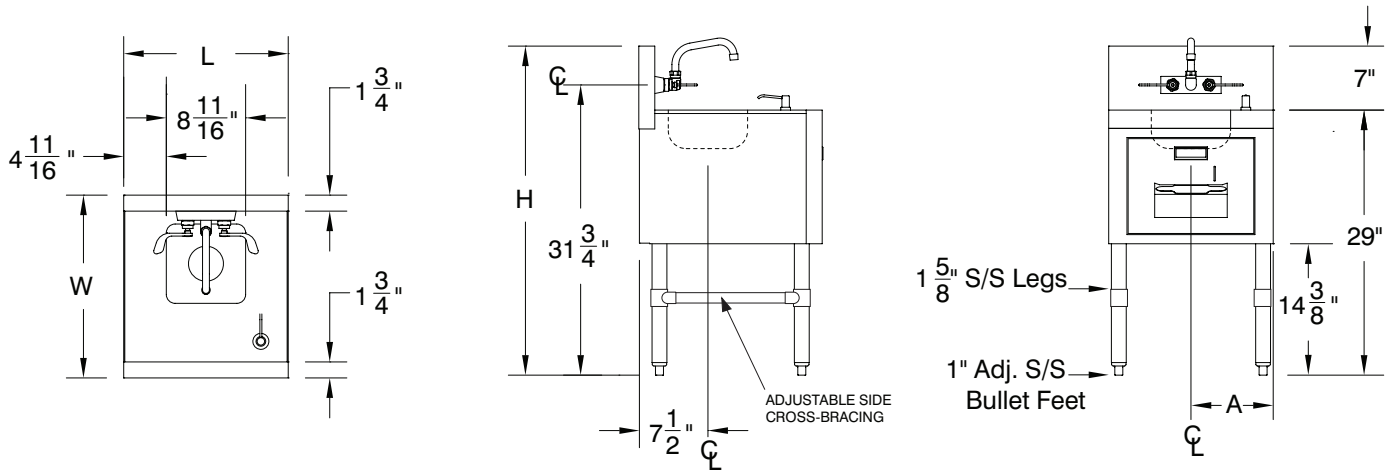
DIMENSIONS and SPECIFICATIONS

TOL Overall: $\pm .500"$ Interior: $\pm .250"$

ALL DIMENSIONS ARE TYPICAL

PRHSST-19 Series

Shown with optional wrist handles



PRHSST-24 Series

Shown with optional wrist handles

