



PRESTIGE
Signature Series

Blender Station w/ Deep Drawn Sink 25" and 30" Wide Units

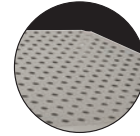


PRRS-19 Series
25" Wide Units With A
Splash Mount Faucet



PRRS-24 Series
30" Wide Units With A
Deck Mount Faucet

Item #:	_____	Qty #:	_____
Model #:	_____		
Project #:	_____		



**Removable Perforated
Drainboard Top**



**Deep Drawn
Seamless Sink Bowl**



**15A - 120V Duplex Receptacle
Hidden Beneath Blender Shelf**

FEATURES:

- One piece recessed **Deep Drawn** sink
- Recessed blender shelf with grommet hole
- 15A - 120V electrical duplex outlet hidden beneath shelf for blenders.
- Sound deadened
- Stainless steel top, apron, sides and legs with 1" adjustable stainless steel bullet feet
- Adjustable side cross-bracing
- 7" backsplash

PRRS-24 Series has rear deck for extra storage

MATERIAL:

- 20 gauge, 300 stainless steel
- Blender Shelf Sides:** 14 gauge, 300 stainless steel
- Legs:** 1 5/8" O.D. 18 gauge, 300 stainless steel with 1" adjustable stainless steel bullet feet

MECHANICAL:

- PRRS-19 Series:** Includes K-125 splash mount faucet
- PRRS-24 Series:** Includes K-51 deck mount faucet
- All faucets meet federal lead free standards**
- 3 1/2" basket drain with 1-1/2" IPS Outlet
- 15A - 120V duplex receptacle

OPTIONAL:

- A-15** - Chrome towel ring (packed loose)
- K-316-LU** - Add wrist handles
- SU-24** - Connect underbar equipment
- SU-36** - Add liquid waste chute



25" WIDE				30" WIDE				Overall Length (L)
Model #	Bowl Size	Approx. Weight	Approx. Cu. Ft.	Model #	Bowl Size	Approx. Weight	Approx. Cu. Ft.	
PRRS-19-12	9"x 9"x 4"	28 lbs.	9	PRRS-24-12	9"x 9"x 4"	30 lbs.	11	12"
PRRS-19-18	10"x 14"x 10"	40 lbs.	9	PRRS-24-18	10"x 14"x 10"	47 lbs.	11	18"

NOTE: Blender Stations Can Not Accommodate A Speed Rail



Customer Service Available To Assist You 1-800-645-3166 8:30 am - 8:00 pm E.S.T.

For Orders & Customer Service:
Email: customer@advancetabco.com or Fax: 631-242-6900

For Smart Fabrication™ Quotes:
Email: smartfab@advancetabco.com or Fax: 631-586-2933

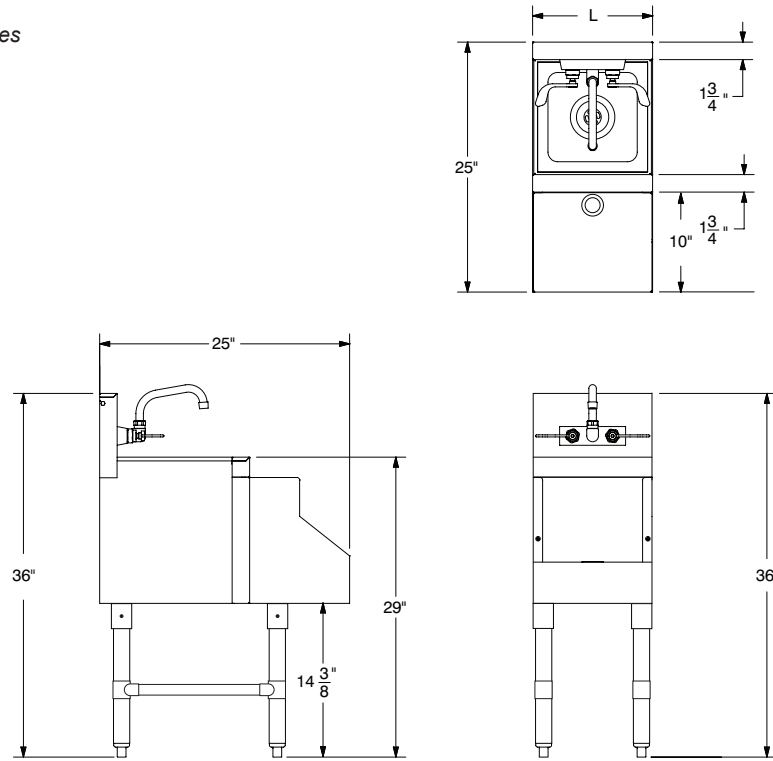
DIMENSIONS and SPECIFICATIONS

TOL Overall: ± .500" Interior: ± .250"

ALL DIMENSIONS ARE TYPICAL

PRRS-19 Series

Shown with optional wrist handles



PRRS-24 Series

Shown with optional wrist handles

