



**PRESTIGE**  
*Signature Series*

# Cabinet w/ Dump Sink/Waste Chute 25" and 30" Wide Units

Item #: \_\_\_\_\_ Qty #: \_\_\_\_\_  
 Model #: \_\_\_\_\_  
 Project #: \_\_\_\_\_



**Open Base**

*PRWC-19-18 Shown*

**FEATURES:**

- 9" x 9" x 4" hand sink.
- 6" diameter dry waste chute.
- 7" backsplash.
- Stainless steel legs with adjustable plastic bullet feet.
- Optional removable hinged doors.
- PRWC-24 series** has rear deck for extra storage.

**MATERIAL:**

20 gauge, 300 stainless steel  
**Legs:** 1 5/8" O.D. 18 gauge, 300 stainless steel with adjustable stainless steel bullet feet

**MECHANICAL:**

- PRWC-19 Series** includes K-123 splash mounted faucet
- PRWC-24 Series** includes K-124 deck mounted faucet
- 1" IPS drain (bottom of base)
- 3 1/2" basket, 1 1/2" drain in hand sink

**OPTIONAL:**

- K-316-LU** - Add wrist handles
- SU-27** - Add door locks



**w/ Hinged Door**

*PRWC-19-18-DR Shown*

**w/ Splash Mt. Faucet**

**w/ Deck Mt. Faucet**

| <b>25" WIDE</b> | Approx. Weight | Approx. Cu. Ft. | <b>30" WIDE</b> | Approx. Weight | Approx. Cu. Ft. | O.A. Length (A) |
|-----------------|----------------|-----------------|-----------------|----------------|-----------------|-----------------|
| Model #         |                |                 | Model #         |                |                 |                 |
| PRWC-19-18      | 55 lbs.        | 12              | PRWC-24-18      | 62 lbs.        | 15              | 18"             |
| PRWC-19-18-DR   | 60 lbs.        | 12              | PRWC-24-18-DR   | 65 lbs.        | 15              | 18"             |



**Customer Service Available To Assist You 1-800-645-3166 8:30 am - 8:00 pm E.S.T.**

For Orders & Customer Service:  
 Email: customer@advancetabco.com or Fax: 631-242-6900

For Smart Fabrication™ Quotes:  
 Email: smartfab@advancetabco.com or Fax: 631-586-2933

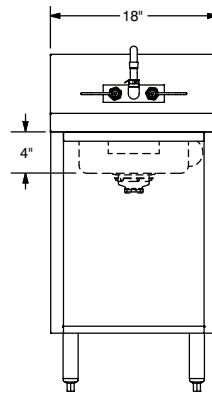
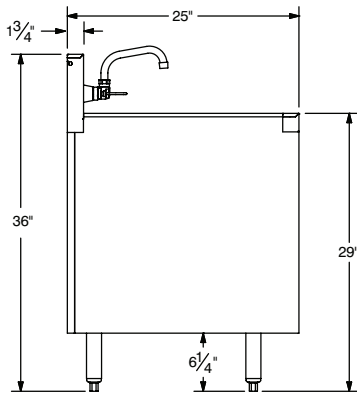
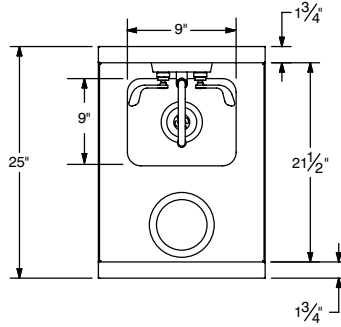
# DIMENSIONS and SPECIFICATIONS

TOL Overall: ± .500" Interior: ± .250"

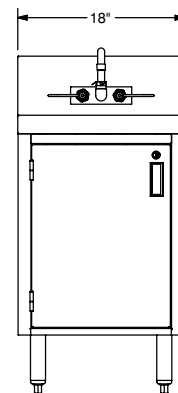
ALL DIMENSIONS ARE TYPICAL

## PRWC-19 Series

Shown with optional wrist handles



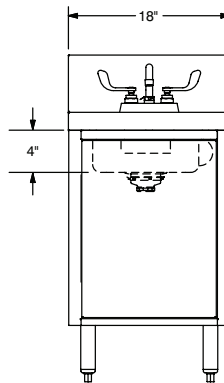
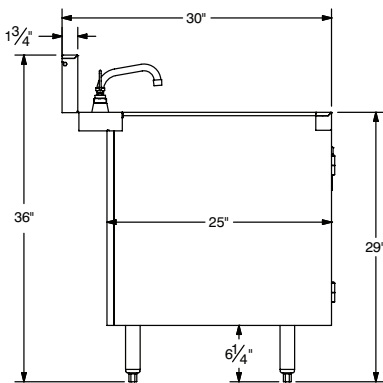
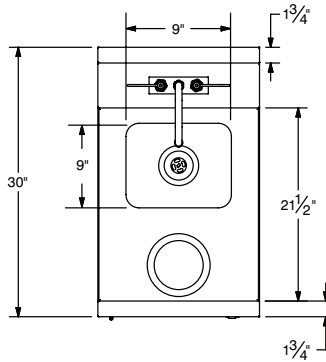
OPEN BASE SERIES



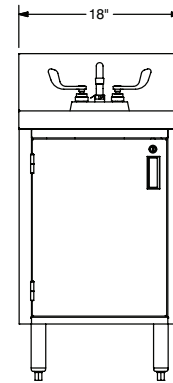
HINGED DOORS SERIES

## PRWC-24 Series

Shown with optional wrist handles



OPEN BASE SERIES



HINGED DOORS SERIES



ADVANCE TABCO is constantly engaged in a program of improving our products. Therefore, we reserve the right to change specifications without prior notice.