



STAINLESS STEEL Ice Bins w/ Cold Plate 18" and 21" Wide Units



SLI Series
18" Wide Units



CRI Series
21" Wide Units

Item #: _____ Qty #: _____
 Model #: _____
 Project #: _____

MATERIAL:

Ice Bin, Front Apron, Backsplash: 22 gauge, 300 stainless steel
Sides: 20 gauge, 430 stainless steel
Understructure: 22 gauge galvaneal front/back; 11 gauge electrogalvaneal leg channel
Legs: 1 5/8" O.D. 18 gauge, galvanized steel with adjustable plastic bullet feet
Ice Bin Insulation: 2 lbs. density styrofoam
Cold Plate: Cast aluminum with 7 circuits (5 syrup and 2 water lines) with 5/16" diameter stainless steel bump and swedge ends.

MECHANICAL:

1" IPS drain - non cold plate bin
 1/2" IPS drain - cold plate bin

NOTE: Bottle Racks Must Be Removed For NSF Compliance & For Use With Optional Cover.

FEATURES:

- Insulated ice bins are 12" or 16" deep.
- 7-Circuit cold plate sealed into the bottom of ice bin.
- 4" backsplash.
- Two removable injection molded 3-pack plastic bottle racks.
- Galvanized legs with adjustable plastic bullet feet.
- Adjustable galvanized side cross-bracing.
- CRI Series** has rear deck for extra storage.

18" WIDE			21" WIDE			O.A. Length (A)	Dist. To Drain (B)	Ice Bin Depth (C)	O.A. Height of Bin (D)	O.A. Leg Height (E)	Ice Bin Capacity
Model #	Approx. Weight	Approx. Cu. Ft.	Model #	Approx. Weight	Approx. Cu. Ft.						
7-CIRCUIT COLD PLATE UNITS											
SLI-12-24-7	88 lbs.	7	CRI-12-24-7	93 lbs.	8	24"	12"	12" DEEP	14"	14"	77 lbs.
SLI-12-30-7	92 lbs.	11	CRI-12-30-7	95 lbs.	11	30"	15"		14"	14"	98 lbs.
SLI-12-36-7	98 lbs.	13	CRI-12-36-7	102 lbs.	13	36"	18"		14"	14"	119 lbs.
SLI-12-42-7	105 lbs.	13	CRI-12-42-7	108 lbs.	13	42"	21"		14"	14"	140 lbs.
SLI-12-48-7	110 lbs.	14	CRI-12-48-7	119 lbs.	14	48"	24"		14"	14"	161 lbs.
SLI-16-24-7	96 lbs.	7	CRI-16-24-7	103 lbs.	8	24"	12"	16" DEEP	18"	10"	100 lbs.
SLI-16-30-7	104 lbs.	12	CRI-16-30-7	115 lbs.	12	30"	15"		18"	10"	127 lbs.
SLI-16-36-7	112 lbs.	16	CRI-16-36-7	120 lbs.	17	36"	18"		18"	10"	155 lbs.
10-CIRCUIT COLD PLATE UNITS											
SLI-12-30-10	132 lbs.	11	CRI-12-30-10	141 lbs.	11	30"	15"	12" DEEP	14"	14"	98 lbs.
SLI-12-36-10	140 lbs.	13	CRI-12-36-10	149 lbs.	13	36"	18"		14"	14"	119 lbs.
SLI-12-42-10	144 lbs.	13	CRI-12-42-10	153 lbs.	13	42"	21"		14"	14"	140 lbs.
SLI-12-48-10	159 lbs.	14	CRI-12-48-10	168 lbs.	14	48"	24"		14"	14"	161 lbs.
SLI-16-30-10	104 lbs.	12	CRI-16-30-10	115 lbs.	12	30"	15"	16" DEEP	18"	10"	127 lbs.
SLI-16-36-10	112 lbs.	16	CRI-16-36-10	120 lbs.	17	36"	18"		18"	10"	155 lbs.

OPTIONAL:

- SSC-12** - Sliding cover for 12" ice bin
- SSC-24** - Sliding cover for 24" ice bin
- SSC-30** - Sliding cover for 30" ice bin
- SSC-36** - Sliding cover for 36" ice bin
- SSC-42** - Sliding cover for 42" ice bin
- SSC-48** - Sliding cover for 48" ice bin



Optional Sliding Stainless Steel Cover Shown



Customer Service Available To Assist You 1-800-645-3166 8:30 am - 8:00 pm E.S.T.

For Orders & Customer Service:

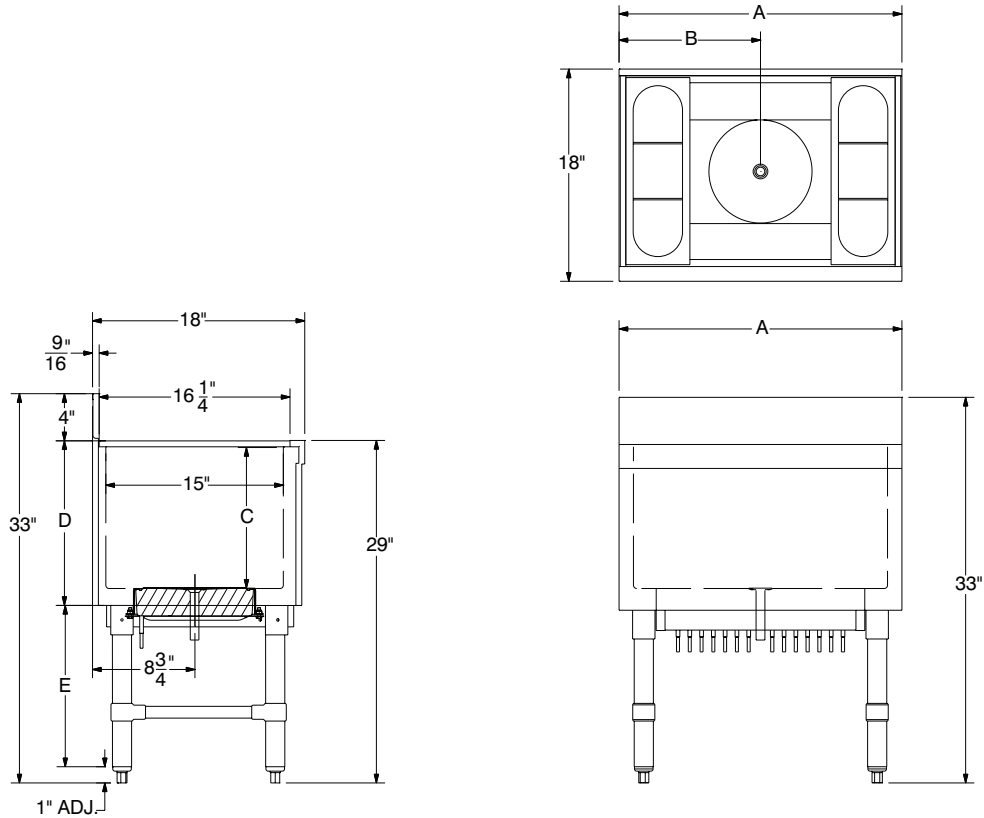
Email: customer@advancetabco.com or Fax: 631-242-6900

For Smart Fabrication™ Quotes:

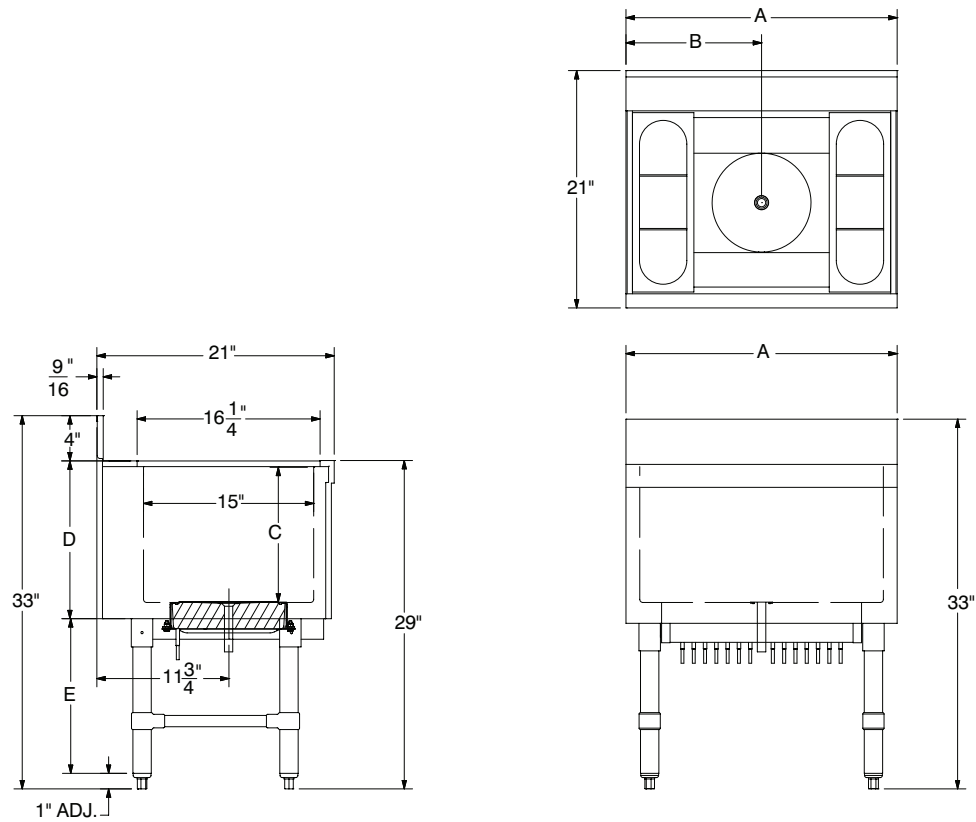
Email: smartfab@advancetabco.com or Fax: 631-586-2933

DIMENSIONS and SPECIFICATIONS

SLI-7 Series



CRI-7 Series CRI-10 Series



ADVANCE TABCO is constantly engaged in a program of improving our products. Therefore, we reserve the right to change specifications without prior notice.