



# SPILLAGE PANS



**FEATURES:**

For Steam Tables & Drop-In Units  
 Heavy duty construction  
 Can be used with optional Adapter Bars:

**SU-45A:** 12" x 1"

**SU-45B:** 20" x 3"



Adapter Bars # SU-45A Shown

Item #: \_\_\_\_\_ Qty #: \_\_\_\_\_  
 Model #: \_\_\_\_\_  
 Project #: \_\_\_\_\_

**MATERIAL:**

**SP-A:** 22 gauge Aluminum

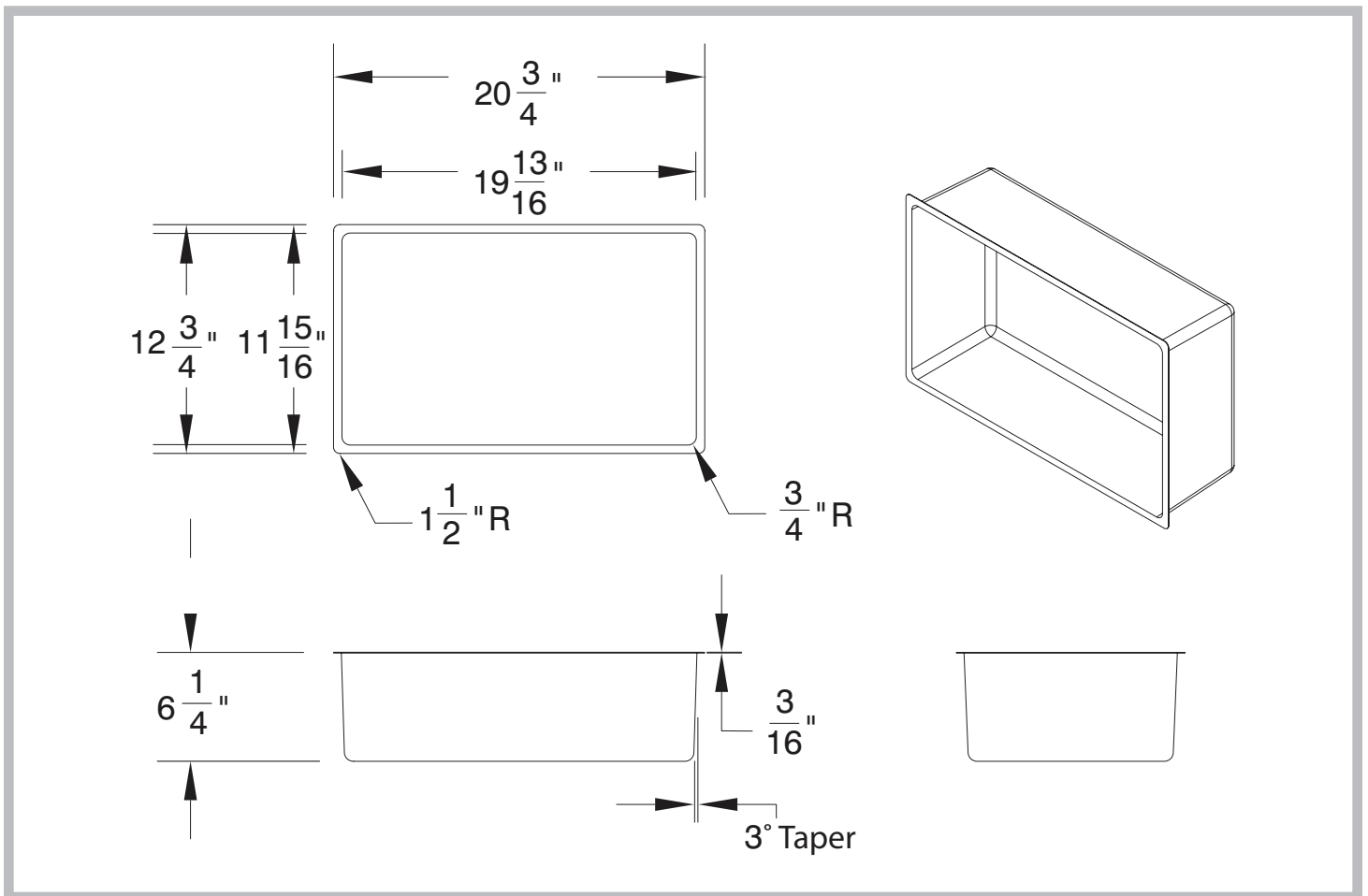
**SP-S:** 12 gauge, #304 stainless steel



## DETAILS and SPECIFICATIONS

TOL Overall: ± .500" Interior: ± .250"

ALL DIMENSIONS ARE TYPICAL



<p><b>ADVANCE TABCO</b>  <small>SMART FABRICATION™</small>  <a href="http://www.advancetabco.com">www.advancetabco.com</a></p>	<p><b>Customer Service Available To Assist You 1-800-645-3166 8:30 am - 8:00 pm E.S.T.</b></p>	
	<p>For Orders &amp; Customer Service:          Email: <a href="mailto:customer@advancetabco.com">customer@advancetabco.com</a> or Fax: 631-242-6900</p>	<p>For Smart Fabrication™ Quotes:          Email: <a href="mailto:smartfab@advancetabco.com">smartfab@advancetabco.com</a> or Fax: 631-586-2933</p>
	<p>ADVANCE TABCO is constantly engaged in a program of improving our products. Therefore, we reserve the right to change specifications without prior notice. © ADVANCE TABCO, APRIL 2015 <b>REF-V</b></p>	