



STATIONARY FOOD SHIELDS

with 12" Wide Glass Top



SELF-SERVE STYLE
8" Standard Front Glass Height

MODEL #	Nominal Length (L)	Clearance Length (A)	O.A. Length (B)	Approx. Weight	Approx. Cubes
STFS-12-36	36"	35"	37"	48 lbs.	6
STFS-12-48	48"	47"	49"	60 lbs.	8
STFS-12-60*	60"	59"	61"	80 lbs.	9

*3/8" Thick Heat-Tempered Glass Required For Front



CAFETERIA STYLE
19" Standard Front Glass Height

MODEL #	Nominal Length (L)	Clearance Length (A)	O.A. Length (B)	Approx. Weight	Approx. Cubes
STFC-12-36	36"	35"	37"	60 lbs.	6
STFC-12-48	48"	47"	49"	75 lbs.	8
STFC-12-60*	60"	59"	61"	102 lbs.	9

*3/8" Thick Heat-Tempered Glass Required For Front

FEATURES:

- 3/8" Thick Heat-Tempered Top Glass
- 1/4" Thick Heat-Tempered Front Glass*
- 1/4" Thick Heat-Tempered Glass Side Panels
- 1" Stainless Steel Rounded Tubing
- Includes Standard Concealed Mounting Hardware

CONSTRUCTION:

- All TIG welded.
- Requires Allen Wrench (Not Included)

Item #: _____ Qty #: _____
 Model #: _____
 Project #: _____

CONVERT STFS/STFC SERIES FOOD SHIELDS TO BE PORTABLE

Add Model # STP-1
 Includes 4 Plastic Feet and Front glass upgraded to 3/8" thick for stability during handling. Ships Knocked-Down.
 Consult Factory For Additional Lengths

Standard Concealed Mounting Hardware

Requires access below counter for installation.

Brass Expander Table Mounting Hardware Included. For traditional undermount installation (1" tubing only)

Optional Accessories

Surface Mounting Brackets

Use when access below countertop is not available.

SG-1
Fits 1" Posts

(Compatible With All Advance Tabco Food Shields)



Customer Service Available To Assist You **1-800-645-3166** 8:30 am - 8:00 pm E.S.T.

For Orders & Customer Service:
 Email: customer@advancetabco.com or Fax: 631-242-6900

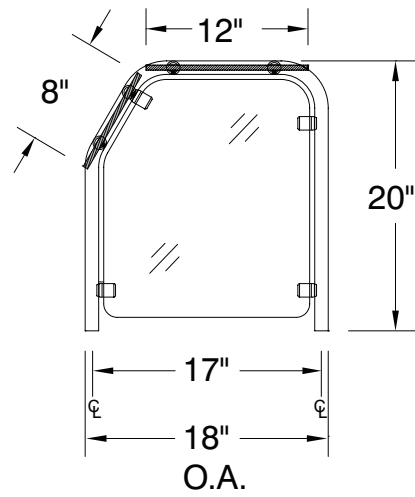
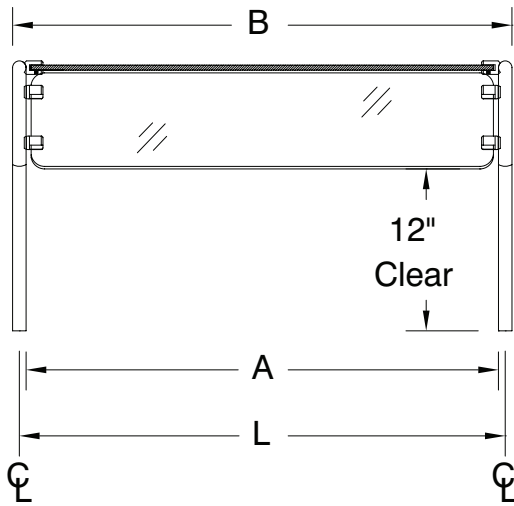
For Smart Fabrication™ Quotes:
 Email: smartfab@advancetabco.com or Fax: 631-586-2933

DETAILS and SPECIFICATIONS

TOL ± .500"

ALL DIMENSIONS ARE TYPICAL

STFS Series - Self-Serve Style



STFC Series - Cafeteria Style

