



# WOOD TOP BAKERS TABLES with Coved Risers



TBS-TBG Series  
with Open Base

**FOR MAPLETEX TABLES WITH  
COVED RISERS, PLEASE  
CONSULT FACTORY**

Item #: \_\_\_\_\_ Qty #: \_\_\_\_\_  
 Model #: \_\_\_\_\_  
 Project #: \_\_\_\_\_

Spice Blns and Shelf are Available



BS-BG Series  
with Undershaft

## TBS-TBG Series Open Base

Approx. Shipping Weight  
is 30 lbs. per lineal foot

### Stainless Steel Base Galvanized Base

Length	30" Wide	36" Wide	30" Wide	36" Wide
48"	TBS-304	TBS-364	TBG-304	TBG-364
60"	TBS-305	TBS-365	TBG-305	TBG-365
72"	TBS-306	TBS-366	TBG-306	TBG-366
84"	TBS-307	TBS-367	TBG-307	TBG-367
96"	TBS-308	TBS-368	TBG-308	TBG-368



BST-BGT Series  
with 3 Tier Drawers

## BS-BG Series Undershaft

Approx. Shipping Weight  
is 35 lbs. per lineal foot

### Stainless Steel Base Galvanized Base

Length	30" Wide	36" Wide	30" Wide	36" Wide
48"	BS-304	BS-364	BG-304	BG-364
60"	BS-305	BS-365	BG-305	BG-365
72"	BS-306	BS-366	BG-306	BG-366
84"	BS-307	BS-367	BG-307	BG-367
96"	BS-308	BS-368	BG-308	BG-368



**FEATURING BOLT-ON  
STAINLESS STEEL LEG**

## BST-BGT Series 3 Tier Drawer

Approx. Shipping Weight  
is 40 lbs. per lineal foot

### Stainless Steel Base Galvanized Base

Length	30" Wide	36" Wide	30" Wide	36" Wide
48"	BST-304LorR	BST-364LorR	BGT-304LorR	BGT-364LorR
60"	BST-305LorR	BST-365LorR	BGT-305LorR	BGT-365LorR
72"	BST-306LorR	BST-366LorR	BGT-306LorR	BGT-366LorR
84"	BST-307LorR	BST-367LorR	BGT-307LorR	BGT-367LorR
96"	BST-308LorR	BST-368LorR	BGT-308LorR	BGT-368LorR

## FEATURES & CONSTRUCTION:

Laminated 1-3/4" thick Hard Wood Top with 4" coved corner risers.

Gussets welded to support channels.

### BST or BGT Series

Three tier drawer unit features 20" x 20" x 5" Deep Drawn insets mounted on bearing slides. Legs bolt on to table base.

### BS or BG Series

Aluminum die cast "leg-to-shelf" clamp secures shelf to leg eliminating unsightly nuts and bolts. Undershaft is adjustable.

### TBS or TBG Series

Front to back Stretchers are welded to legs. Left to right Stretcher bolted to legs and requires assembly.



## MATERIAL:

**TOP:** Laminated 1-3/4" thick hard maple with 4" coved corner risers and reinforced with steel rods.

**SHELF:** **BS Series:** 18 gauge stainless steel.  
**BG Series:** Heavy gauge galvanized steel.

**TIER DRAWER:** 18 gauge stainless steel body, drawer fronts and handles.

**LEGS:** **BS - TBS - BST Series:** 1 5/8" diameter tubular stainless steel gussets; bolt-on legs are stainless steel and include 1 1/2" adjustable hex foot.

**BG - TBG - BGT Series:** 1 5/8" diameter heavy gauge tubular galvanized steel with galvanized steel gussets and 1" adjustable plastic bullet feet.



**Customer Service Available To Assist You 1-800-645-3166 8:30 am - 8:00 pm E.S.T.**

For Orders & Customer Service:

Email: customer@advancetabco.com or Fax: 631-242-6900

For Smart Fabrication™ Quotes:

Email: smartfab@advancetabco.com or Fax: 631-586-2933

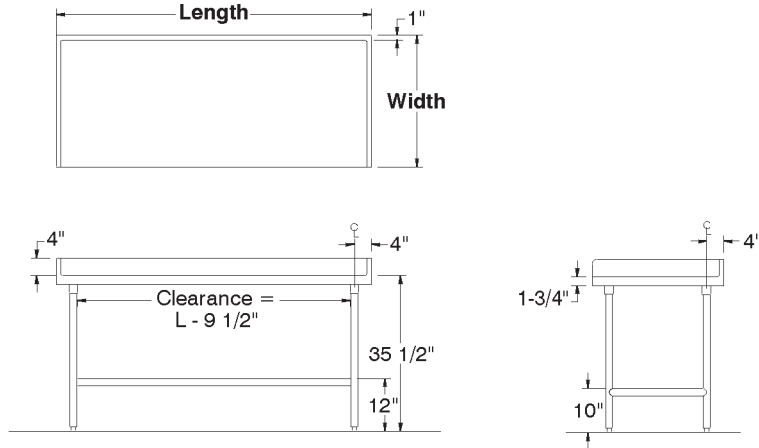
# DETAILS and SPECIFICATIONS

TOL ± .500"

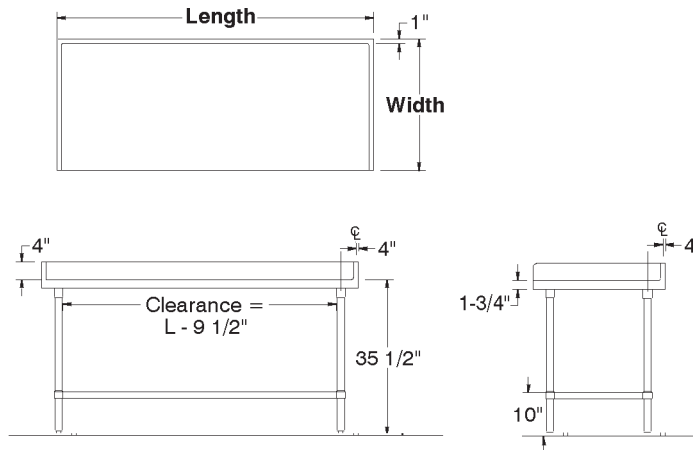
Units 8 ft. & larger are furnished with six (6) legs.

ALL DIMENSIONS ARE TYPICAL

## TBS-TBG Series Open Base



## BS-BG Series Undershelf



## BST-BGT Series 3 Tier Drawer

