

**COMBIhoodPLUS™**



CTP10-10EVH shown

- Operate an Alto-Shaam® Combitherm® CombiOven without an expensive oven hood or costly hood installation.

- Keep costly heating and air conditioning from being vented out through your hood.

- Self-contained oven venting system fully tested and listed by Underwriters Laboratories for both safety and sanitation.
- Using EPA method 202 testing, grease laden vapors emitted by the Combi Ventless Hood are 0.58 mg/m<sup>3</sup> – far less than U.L.'s established standard of 5 mg/m<sup>3</sup>.
- Placed directly on top of a Combitherm countertop electric oven, the Combi Ventless Hood is available as a factory-installed option.
- A high-power fan captures all steam and fumes from the oven cavity into the Combi Ventless Hood intake and out the back surface exhaust vent, trapping grease as the air moves through the filter system.
- As fumes and vapors are circulated through the Combi Ventless Hood, condensed steam drains from an opening at the rear.
- CombihoodPLUS™ performance is "smart"; engaging the fan during the last two minutes of the cook mode to provide quiet operation and less power consumption.
- Power requirements to the Combi Ventless Hood operate directly from the power supplied to the Combi oven.

Stainless steel construction Combi Ventless Hood is installed directly on top of the electric Alto-Shaam® Combitherm® oven. The Combi Ventless Hood is designed to vent clean air back into the kitchen, filtering vapors and grease. A high-power fan draws fumes and steam into the Combi Ventless Hood intake and out the back exhaust vent. Fumes and vapors are circulated through filters draining the condensation at the rear of the Combi Ventless Hood. An activated charcoal filter cleans the air before venting it out the top of the Combi Ventless Hood. One (1) grease and one (1) charcoal filter is included, and access from the front of the oven simplifies replacement.

**Note:** The CombihoodPLUS is not available for floor-standing combi models, combi models equipped with the smoking option, recessed door option, stacked configurations, or gas models.

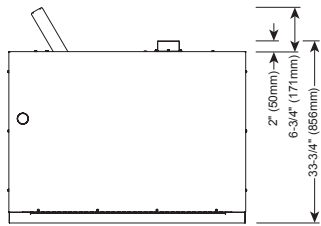
A field installation kit is available for CE approved models only.



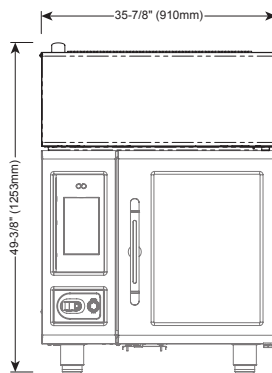
**Combihood Filters**

- Charcoal, Class I (required for New York City and Los Angeles) FI-36620
- Charcoal, Class II FI-25866
- Grease 5017362

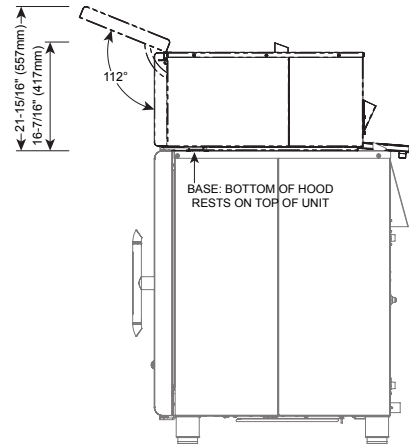
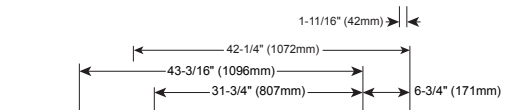
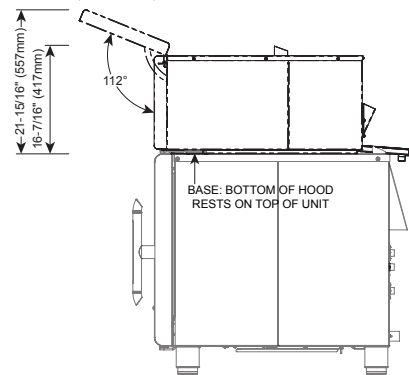
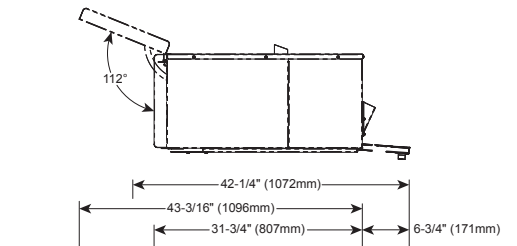
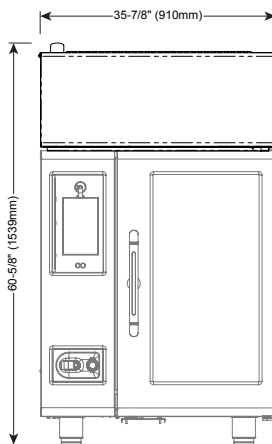
EPA 202 capture test



CTP6-10EVH  
CTC6-10EVH



CTP10-10EVH  
CTC10-10EVH

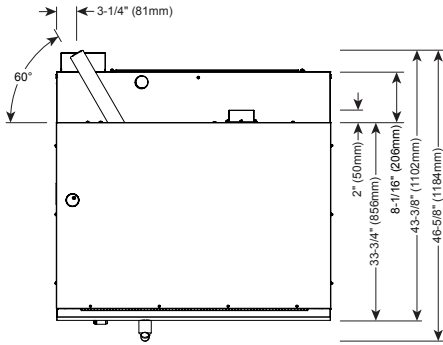


1-11/16" (42mm)

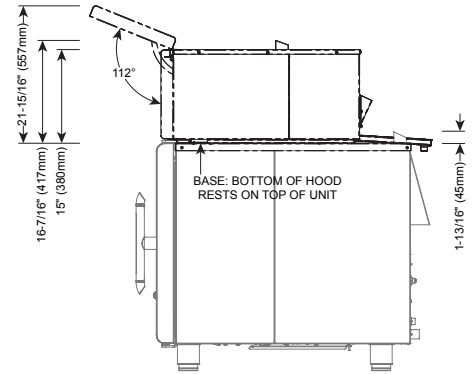
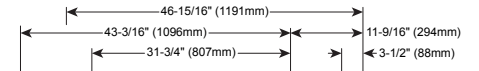
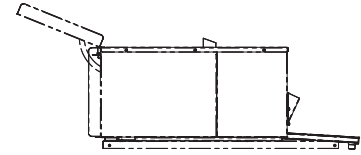
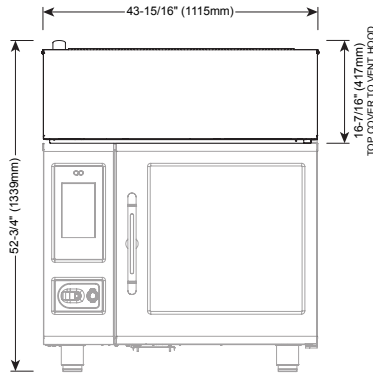
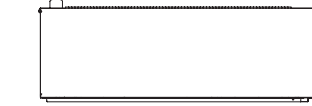
### Installation Requirements

- Water drain outlet is 1/2" barbed connection
- Top clearance of 20" (508mm) for air movement

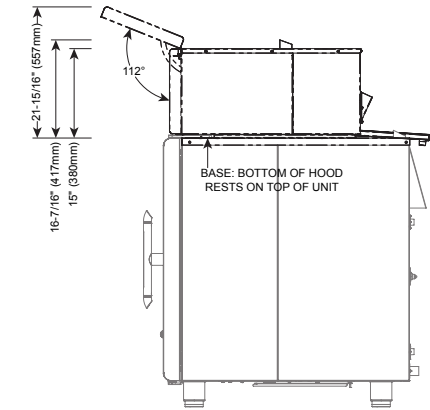
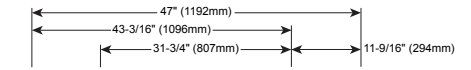
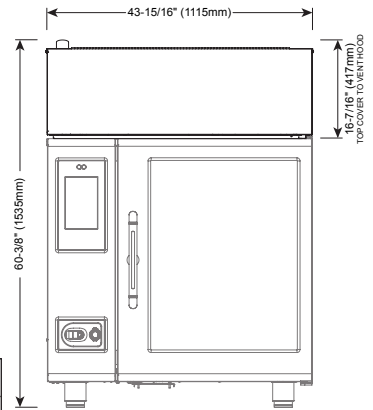
| Specifications                                | 6-10EVH  | 10-10EVH   |
|---|--|--|
| <b>Hood Dimensions</b> H x W x D              | 16-7/16" x 35-7/8" x 38-1/2"<br>(417mm x 910mm x 978mm)  | 16-7/16" x 35-7/8" x 38-1/2"<br>(417mm x 910mm x 978mm)  |
| <b>Hood with Oven Dimensions</b><br>H x W x D | 49-3/8" x 35-7/8" x 42-1/4"<br>(1253mm x 910mm x 1072mm) | 60-5/8" x 35-7/8" x 42-1/4"<br>(1539mm x 910mm x 1072mm) |
| <b>Air Movement</b>                           | 756 CFM  | 756 CFM  |
| <b>Additional Electrical Requirements</b>     |  |  |
| <b>Amps</b>                                   | 1.1A   | 1.1A   |
| <b>kW</b>                                     | .25  | .25  |
| <b>Ship Weight</b>                            | Contact Factory  | Contact Factory  |
| <b>Crate Dimensions</b> L x W x H             | Contact Factory  | Contact Factory  |



CTP7-20EVH  
CTC7-20EVH



CTP10-20EVH  
CTC10-20EVH



1-11/16" (42mm)

**Installation Requirements**

- Water drain outlet is 1/2" barbed connection
- Top clearance of 20" (508mm) for air movement

| Specifications                                | 7-20EVH   | 10-20EVH  |
|---|---|---|
| <b>Hood Dimensions</b> H x W x D              | 16-7/16" x 43-15/16" x 43-3/8"<br>(417mm x 1115mm x 1102mm) | 16-7/16" x 43-15/16" x 43-3/8"<br>(417mm x 1115mm x 1102mm) |
| <b>Hood with Oven Dimensions</b><br>H x W x D | 52-3/4" x 43-15/16" x 46-5/8"<br>(1339mm x 1115mm x 1184mm) | 60-3/8" x 43-15/16" x 47"<br>(1535mm x 1115mm x 1192mm)     |
| <b>Air Movement</b>                           | 756 CFM   | 756 CFM   |
| <b>Additional Electrical Requirements</b>     |   |   |
| <b>Amps</b>                                   | 1.1A  | 1.1A  |
| <b>kW</b>                                     | .25   | .25   |
| <b>Ship Weight</b>                            | Contact Factory   | Contact Factory   |
| <b>Crate Dimensions</b> L x W x H             | Contact Factory   | Contact Factory   |