

General Information

Project Name: _____

Consultant: _____

Item #: _____

Model #: _____

Quantity: _____



Shown with
Subway Grating (SG)



Specifications

ASFT Floor Troughs are 14GA type 300 series stainless steel. Horizontal corners are covered and the trough is integrally pitched toward a waste outlet with a stainless steel beehive strainer and a 4" OD tailpiece.

Anti-Spill features are built into the trough, which is 6" deep.

Recessed flange and 1" deep ledge for IMC grating are integral with the unit.

Joints are TIG welded and leak-proof. Exposed surfaces finished brush satin.

Product Guide

Use in Commercial and Institutional Buildings or large food prep facilities for high volume, rapid discharge application.

Anti-Spill feature directs splashing waste water to inside corners of the trough away from the equipment.

Recessed flange supports floor tile and provides a grout pocket.

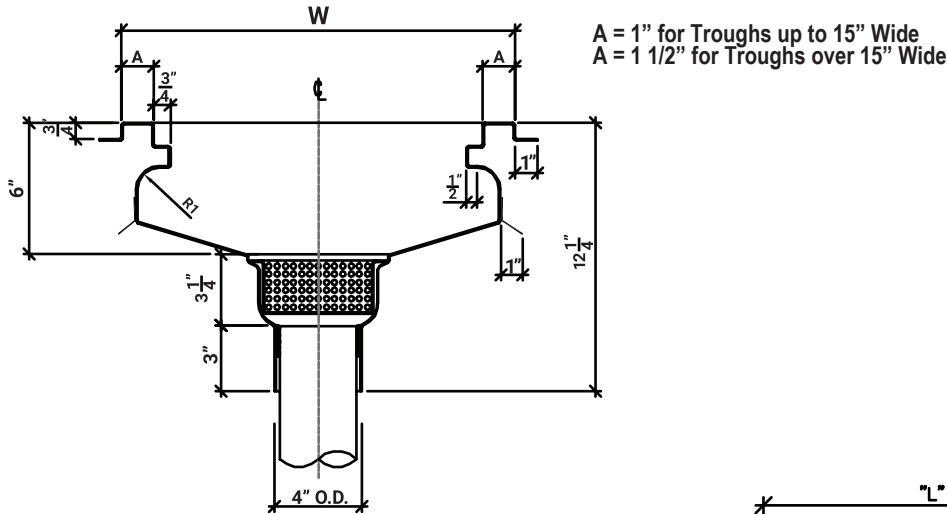
Setting frame for waterproof membrane and/or integral seepage flange with "weep" holes can be added for wet floor areas.

Extension arms and intersections available for multiple equipment layout.

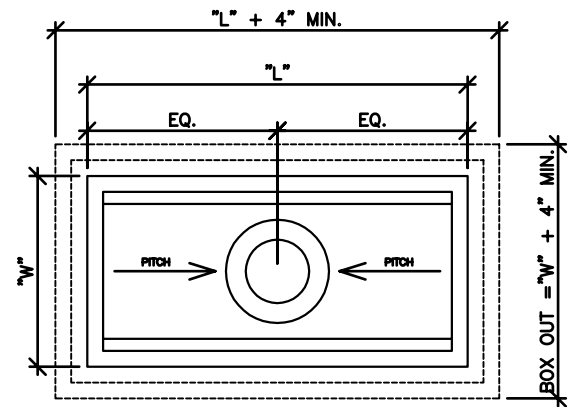
Options

- 3", 3½", 5", 6", 8" OD Tube (circle one)
- Waste Tube over 3" Long
- Additional Wastes
- Waste Cup Strainers
- Beehive Strainers
- Off Center Waste
- ST12** - Scrap Tray 12" Long
- Perforated Waste Pipe
- Special Size Setting Flange 2" Deep
- Special Size Setting Flange 2" to 4" Deep
- Oversize Waste Tube
- Lint Screen for Laundry Trough
- ST20** - Scrap Tray 20" Long
- Drain on the Side or End
- Rim on Drain
- Basket Strainer w/ Handle & Chain
- BXD** - Box Type Drain
- BSX** - Beehive Strainer for Box Drain
- GA-12** - 12GA Upgrade

DRAWINGS



Box Out Size



Trough Area

- Width (PIT) = Width ("W") + 4" Minimum
- Length (PIT) = Length ("L") + 4" Minimum
- Depth (PIT) = Depth of Trough + 1/2" + Finish Floor
- Size of Rough-In Hole For Drains 7^{1/2} 0 Minimum

ANTI-SPILL FLOOR TROUGHS

Model	Size (W x L)	Model	Size (W x L)	Model	Size (W x L)	Model	Size (W x L)
□ ASFT-1218	12" x 18"	□ ASFT-1824	18" x 24"	□ ASFT-2430	24" x 30"	□ ASFT-3036	30" x 36"
□ ASFT-1224	12" x 24"	□ ASFT-1830	18" x 30"	□ ASFT-2436	24" x 36"	□ ASFT-3048	30" x 48"
□ ASFT-1230	12" x 30"	□ ASFT-1836	18" x 36"	□ ASFT-2448	24" x 48"	□ ASFT-3060	30" x 60"
□ ASFT-1236	12" x 36"	□ ASFT-1848	18" x 48"	□ ASFT-2460	24" x 60"	□ ASFT-3072	30" x 72"
□ ASFT-1248	12" x 48"	□ ASFT-1860	18" x 60"	□ ASFT-2472	24" x 72"	□ ASFT-3084	30" x 84"
□ ASFT-1260	12" x 60"	□ ASFT-1872	18" x 72"	□ ASFT-2484	24" x 84"	□ ASFT-3096	30" x 96"
□ ASFT-1272	12" x 72"	□ ASFT-1884	18" x 84"	□ ASFT-2496	24" x 96"	□ ASFT-30108	30" x 108"
□ ASFT-1284	12" x 84"	□ ASFT-1896	18" x 96"	□ ASFT-24108	24" x 108"	□ ASFT-30120	30" x 120"
□ ASFT-1296	12" x 96"	□ ASFT-18108	18" x 108"	□ ASFT-24120	24" x 120"		
□ ASFT-12108	12" x 108"	□ ASFT-18120	18" x 120"	□ ASFT-3024	30" x 24"		
□ ASFT-12120	12" x 120"	□ ASFT-2424	24" x 24"	□ ASFT-3030	30" x 30"		

Note - Standard troughs up to 96" have one (1) waste at center. Over 96", troughs have two (2) wastes equidistant.

Specifications subject to change without notice.

ASFT-70 0919