

### Refrigerated Self-Service Case 32"D



MODEL SHOWN: B4732

Conforms to NSF STD 7  
**TYPE II**

- B3632
- B4732
- B5932
- B7132
- B8832

**Lengths include end panels**  
 36-5/8"L x 32-1/4"D x 82-1/2"H  
 47-5/8"L x 32-1/4"D x 82-1/2"H  
 59-5/8"L x 32-1/4"D x 82-1/2"H  
 71-5/8"L x 32-1/4"D x 82-1/2"H  
 88-3/8"L x 32-1/4"D x 82-1/2"H

#### STANDARD FEATURES

- Breeze~E (Type-II) w/ EnergyWise s/c refrigeration
- Blue Fin coated coil
- Compressor air lower front intake and upper front discharge.  
Front panel cannot be blocked
- Condensate pan (self-contained refrig. only)
- Flat upper front panel & header
- Integrated average product temperature of 40°F or less
- LED top light(s)
- One piece formed ABS plastic tub (n/a B8832)
- One year parts & labor; 5 year compressor warranty
- Removable deck pans provide complete access to evaporator coil & refrigeration connections
- Shelving removable and adjustable on 1" centers
- Solid back panel, black

Features	Standard	Options
<b>EXTERIOR COLOR</b>	<input type="checkbox"/> Laminated (non-premium) Confirm pattern/grain direction	<input type="checkbox"/> Laminated (premium) Confirm pattern/grain direction <input type="checkbox"/> Stainless steel (includes lower front panel)
<b>INTERIOR COLOR</b>	<input type="checkbox"/> Black	<input type="checkbox"/> Stainless steel
<b>LWR LOUVERED FRNT PANEL</b>	<input type="checkbox"/> Painted - Black	<input type="checkbox"/> Stainless steel (w/stainless ext. only)
<b>BASE</b>	<input type="checkbox"/> Casters w/ levelers (n/a w/ remote ref.)	<input type="checkbox"/> Levelers (only) <input type="checkbox"/> Seismic levelers (Q4695)
<b>END PANEL LEFT</b>	<input type="checkbox"/> Full end panel w/mirror interior (metal edge matches interior color)	<input type="checkbox"/> Cutaway end panel (metal edge matches interior color) <input type="checkbox"/> No end panel w/ synchronized defrost
<b>END PANEL RIGHT</b>	<input type="checkbox"/> Full end panel w/mirror interior (metal edge matches interior color)	<input type="checkbox"/> Cutaway end panel (metal edge matches interior color) <input type="checkbox"/> No end panel w/ synchronized defrost
<b>SHELVING</b>	<input type="checkbox"/> Metal shelves, non-lighted	<input type="checkbox"/> Metal shelves, lighted (LED)
<b>ELECTRICAL CONNECT</b>	<input type="checkbox"/> 6' power cord (base exit)	<input type="checkbox"/> 6' power cord (top exit)
<b>REFRIGERATION</b>	<input type="checkbox"/> Breeze~E (Type-II) w/ EnergyWise s/c refrigeration	<input type="checkbox"/> Breeze~E (Type-II) w/ EnergyWise s/c refrigeration (w/ floor drain) <input type="checkbox"/> Note: Remote doesn't incl Conds unit. Floor drain reqd. <input type="checkbox"/> 1 Remote w/thermostat, solenoid & TXV
<b>MISCELLANEOUS</b>		<input type="checkbox"/> Roll-down security cover, locking (Requires two end panels (full or cutaway) per case) <input type="checkbox"/> Second year parts & labor warranty (excludes compressor)
<b>ACCESSORIES</b>		<input type="checkbox"/> Clean Sweep® coil cleaner (n/a w/remote) <input type="checkbox"/> Night curtain, retractable, non-locking <input type="checkbox"/> Price tag moulding (matches interior color)

**Option Notes:** 1 - See tech spec for load reqmts

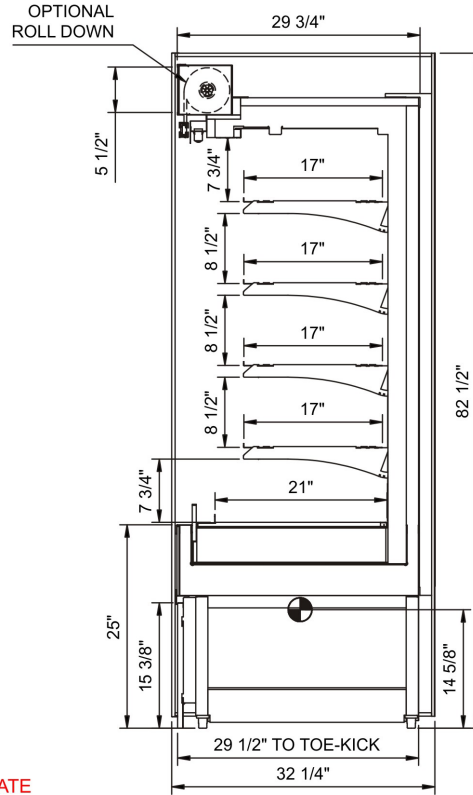
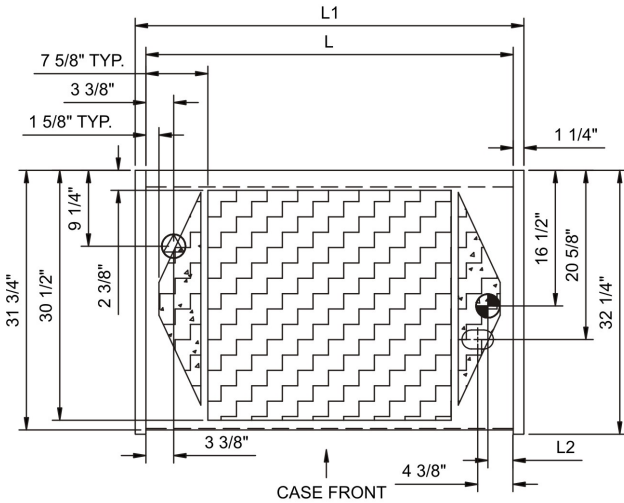
# Oasis®

## Product Specifications

<b>Intended Environment:</b> Type II - Designed to operate in ambient conditions of 80°F and 60% relative humidity unless noted otherwise in system information below.		
<b>Zone</b>	<b>Intended Product To Be Displayed</b>	<b>Integrated Prod Temp ° F</b>
All	Packaged refrigerated products	40

PLAN VIEW

SIDE VIEW



NOTE: ALL DIMENSIONS APPROXIMATE

- ELECTRICAL JUNCTION BOX (SUPPLIED WITH 6' LEADS OR POWER CORD).
- REFRIGERATION LINE CONNECTION.
- SELF-CONTAINED CASE SERVICE ACCESS AREA.
- LOCATION OF DRAIN TUBE FOR REMOTE REF. ONLY (SUPPLIED WITH 3/4\"/>

Model Technical Specifications															
Model	L"	L1"	L2"	System Circuit Volts			Phs	Freq	Amps ***	Watts	Wires	NEMA Plug	SST	BTUH	Est Wt
B3632	N/A	36.63	3.13	Remote(Type I)	Circuit #1	110-120	1	60	1.13	99	2+G	Leads Multiple	20.00	4100	850
				Remote(Type II)	Circuit #1	110-120	1	60	1.13	99	2+G	Leads Multiple	20.00	5000	
				Self-Contained	Circuit #1	110-120	1	60	16.00	1,463	N/A	5-20P or L5-20P	N/A	N/A	
B4732	N/A	47.63	3.13	Remote(Type I)	Circuit #1	110-120	1	60	1.47	139	2+G	Leads Multiple	20.00	5650	1,000
				Remote(Type II)	Circuit #1	110-120	1	60	1.47	139	2+G	Leads Multiple	20.00	6850	
				Self-Contained	Circuit #1	208-240	1	60	10.16	1,908	2+G	6-20P or L6-20P	N/A	N/A	
B5932	N/A	59.63	3.13	Remote(Type I)	Circuit #1	110-120	1	60	2.12	188	2+G	Leads Multiple	20.00	6650	1,200
				Remote(Type II)	Circuit #1	110-120	1	60	2.12	188	2+G	Leads Multiple	20.00	8150	
				Self-Contained	Circuit #1	208-240	1	60	11.90	2,286	2+G	6-20P or L6-20P	N/A	N/A	
B7132	N/A	71.63	3.13	Remote(Type I)	Circuit #1	110-120	1	60	2.36	238	2+G	Leads Multiple	20.00	8150	1,400
				Remote(Type II)	Circuit #1	110-120	1	60	2.36	238	2+G	Leads Multiple	20.00	9975	
				Self-Contained	Circuit #1	208-240	1	60	16.00	3,170	2+G	6-20P or L6-20P	N/A	N/A	
B8832	N/A	88.38	3.13	Remote(Type I)	Circuit #1	110-120	1	60	3.13	306	2+G	Leads Multiple	20.00	12275	1,550
				Remote(Type II)	Circuit #1	110-120	1	60	3.13	306	2+G	Leads Multiple	20.00	15100	
				Self-Contained	Circuit #1	208-240	1	60	20.38	3,083	2+G	6-30P or L6-30P	N/A	N/A	

\*\*\* Does not include electric defrost on freezer models.

**Regulatory Approvals:**

All Models	Accordance with AHRI Std 1200 ETL Listed to UL 471 ETL Listed to CAN/CSA 22.2 No. 120 ETL Sanitation to NSF 7
------------	--



**Important Notes:**

- 1) ELECTRICAL NOTE: If GFCI is required, a GFCI breaker MUST be used in lieu of a GFCI receptacle
- 2) Performance issues (product temperatures, water on floor, etc.) caused by adverse conditions are not covered by warranty.
- 3) Keep unit at least 15' from exterior doors, overhead HVAC vents, or any air curtain disruption.
- 4) End panels must be tightly joined or kept at least 6" away from any structure to prevent condensation.
- 5) Do not expose unit to direct sunlight or any heat source (ovens, fryers, etc.).
- 6) Tile floors, low ceilings, or small rooms will increase noise level.