



BEVERAGE-AIR

Project: _____	AIA#
Item: _____	
Location: _____	SIS#
Approved: _____	

BOTTOM MOUNT REACH-IN FREEZER

FB72HC Solid Glass Door Reach-in Freezer
Hydrocarbon Series

MODEL:

FB72HC-5G

FB72HC Bottom Mount Models: Vista Series

3 Year Parts/Labor Warranty
Additional 2 Year Compressor Warranty

CABINET CONSTRUCTION



FB72HC-5G

- Stainless steel front and door, gray painted sides
- Gray painted aluminum interior
- Full electronic control
- LED lighting standard
- Anti-microbial door handle
- Door lock, standard
- Self-closing door with 120° Stay-open feature, on spring-loaded hinges
- One –piece grille allow easy removal/installation for preventative maintenance
- Three (3) heavy duty epoxy coated wire shelves standard
- 6” Caster standard with (2) brakes
- Maintains product temperatures of 0° F and below

OPTIONS & ACCESSORIES

- Stainless steel universal tray slide pair, 1 tray slide set for (1) 18” x 26” or (2) 14” x 18” pans (AC)
- Epoxy shelves
- Shelf clips
- 3” caster or 6” legs
- Door locks
- Remote option

REFRIGERATION SYSTEM

- Refrigeration system uses R290 refrigerant to comply with all environmental concerns
- Automatic, electric defrost
- Epoxy coated evaporator coil



3779 Champion Blvd., Winston-Salem, NC 27105
1-888-845-9800 Fax: 1-336-245-6453
Beverage-Air.com sales@bevair.com



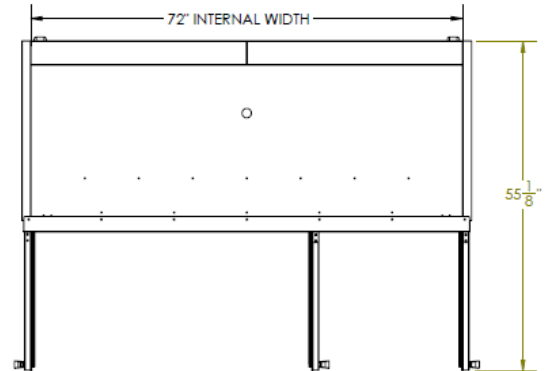
BEVERAGE-AIR

Vista Series Bottom Mount Reach-in Solid Glass Door Freezer

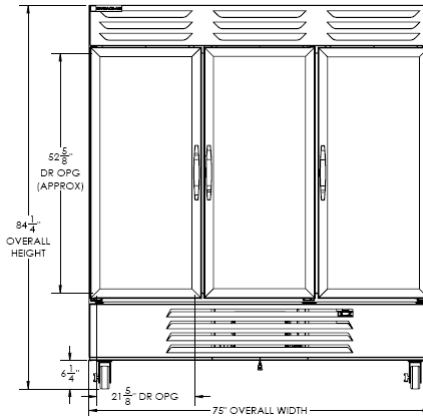
Model: FB72HC-5G

MODEL	FB72HC-5G
EXTERNAL DIMENSIONAL DATA	
Width Overall	75"
Depth Overall with Handle	33 3/4"
Height Overall (6" casters)	84 1/4"
Number of Doors	3
Depth with Door Open 90°	55 1/8"
Door Opening (in)	21 5/8" x 52 5/8" (3)
INTERNAL DIMENSIONAL DATA	
NET Capacity (cubic ft.)	68.5
Internal Width Overall (in)	72"
Internal Depth Overall (in)	26"
Internal Height Overall (in)	61 5/8"
Internal Height Useable (in)	53"
Number of Shelves	9
ELECTRICAL DATA	
Full Load Amperes 208-230/115	TBD
REFRIGERATION DATA	
Horsepower	(2) 3/4
Capacity (BTU/Hr)*	4624
WEIGHT DATA	
Gross Weight (Crated lbs)	754 lbs
Height - Crated	84"
Width - Crated	77 1/4"
Depth - Crated	36"

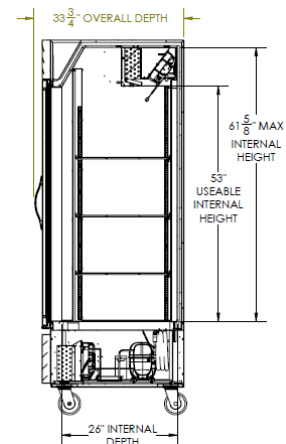
Model Views



Plan View



Elevation View



Side View

ELECTRICAL CONNECTION



125/250
NEMA-L14-20P

Units pre-wired at factory and include 8' long cord and plug set.



an Ali Group Company



The Spirit of Excellence

3779 Champion Blvd., Winston-Salem, NC 27105
1-888-845-9800 Fax: 1-336-245-6453
Beverage-Air.com sales@bevair.com