



# BEVERAGE-AIR

Project: _____	AIA#
Item: _____	
Location: _____	SIS#
Approved: _____	

## P-SERIES TOP MOUNTED REFRIGERATORS

### PRI2-1AS Double Solid Door Refrigerator

**MODELS:**  
**PRI2-1AS**



**PRI2-1AS**

**3 Year Parts/Labor Warranty**  
**Additional 2 Year Compressor Warranty**

### CABINET CONSTRUCTION

- Stainless steel exterior
- Interior liner is made of corrosion resistant aluminum
- Full electronic control
- LED lighting standard
- Expansion Valve technology
- Self-closing doors on cam-lift hinges, with 120° hold open feature
- One piece snap-in magnetic door gaskets for positive seal
- Stainless steel breakers
- Reinforced stainless steel door ramps outside and cart guides inside
- Accepts carts up to 24 3/8"(W) x 26" (D) x 64 1/2" (H) (Cart not included)
- Wiper gasket at bottom of door seals door to ramp
- Door locks standard
- Anti-Microbial door handles
- Refrigeration system maintains product temperatures of 36 - 38°F

### OPTIONS & ACCESSORIES

- Stainless steel interior
- Remote option

### REFRIGERATION SYSTEM

- Refrigeration system uses R134A
- Automatic, non-electric defrost
- Epoxy coated evaporator coil

**PRI2-1AS Top Mount Models: P Series**



3779 Champion Blvd., Winston-Salem, NC 27105  
1-888-845-9800 Fax: 1-336-245-6453  
Beverage-Air.com sales@bevair.com



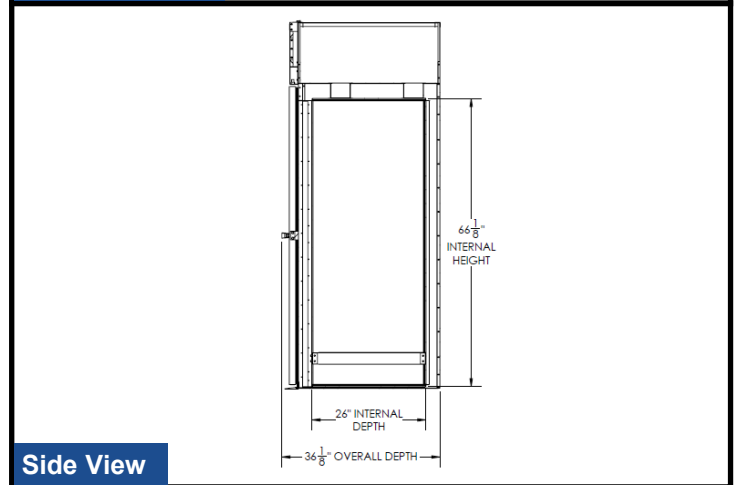
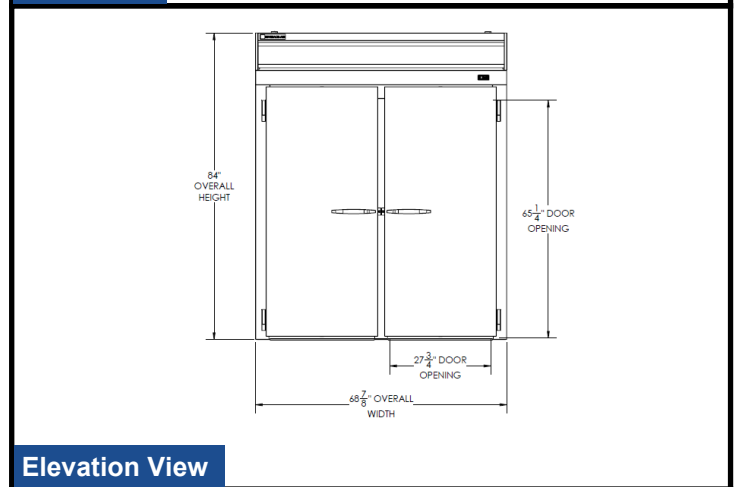
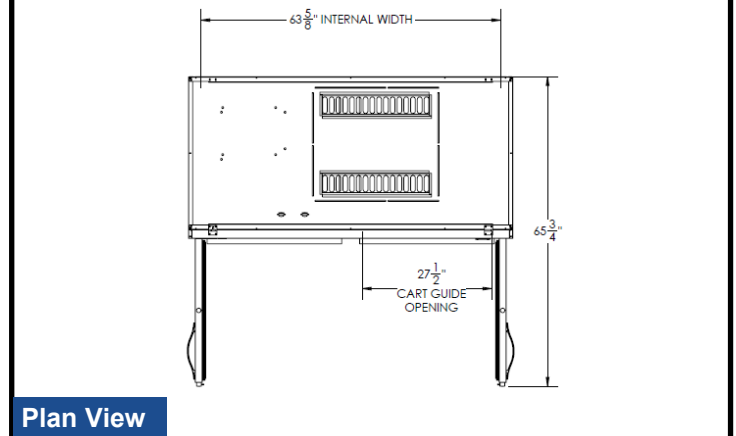
# BEVERAGE-AIR

## P Series - Top Mount Refrigerator

Models: PRI2-1AS

MODEL	PRI2-1AS
<b>EXTERNAL DIMENSIONAL DATA</b>	
Width Overall	68 7/8"
Depth Overall with Handle	36 1/8"
Height Overall	84"
Number of Doors	2
Depth with Door Open 90°	65 3/4"
Door Opening (in)	27 3/4" x 65 1/4"
<b>INTERNAL DIMENSIONAL DATA</b>	
NET Capacity (cubic ft.)	44.2
Internal Width Overall (in)	63 5/8"
Internal Depth Overall (in)	26"
Internal Height Overall (in)	66 1/8"
Number of Shelves	6
<b>ELECTRICAL DATA</b>	
Full Load Amperes 115/60/1	13.0
<b>REFRIGERATION DATA</b>	
Horsepower	1/3
Capacity (BTU/Hr)*	2360
<b>WEIGHT DATA</b>	
Gross Weight (Crated lbs)	600 lbs
Height - Crated	88"
Width - Crated	78"
Depth - Crated	45"

### Model Views



### ELECTRICAL CONNECTION



115/60/1  
NEMA-5-15P

Units pre-wired at factory and include 10' long cord and plug set.



an Ali Group Company



The Spirit of Excellence

3779 Champion Blvd., Winston-Salem, NC 27105  
1-888-845-9800 Fax: 1-336-245-6453  
Beverage-Air.com sales@bevair.com