



BEVERAGE-AIR

Project: _____	AIA#
Item: _____	
Location: _____	SIS#
Approved: _____	

P-SERIES TOP MOUNTED REFRIGERATORS

PRT2-1AS Double Solid Door Roll-Thru Refrigerator

MODELS:
PRT2-1AS



PRT2-1AS

3 Year Parts/Labor Warranty
Additional 2 Year Compressor Warranty

CABINET CONSTRUCTION

- Stainless steel exterior
- Stainless steel interior
- Full electronic control
- LED lighting standard
- Expansion Valve technology
- Self-closing doors on cam-lift hinges, with 120° hold open feature
- One piece snap-in magnetic door gaskets for positive seal
- Stainless steel breakers
- Reinforced stainless steel door ramps outside and cart guides inside
- Accepts carts up to 24 3/8" (W) x 26" (D) x 64 1/2" (H) (Cart not included)
- Wiper gasket at bottom seals door to ramp
- Door locks standard
- Anti-Microbial door handles
- Refrigeration system maintains product temperatures of 36 - 38°F

OPTIONS & ACCESSORIES

- Stainless steel interior
- Remote option

REFRIGERATION SYSTEM

- Refrigeration system uses R134A
- Automatic, non-electric defrost
- Epoxy coated evaporator coil

PRT2-1AS Top Mount Models: P Series



3779 Champion Blvd., Winston-Salem, NC 27105
1-888-845-9800 Fax: 1-336-245-6453
Beverage-Air.com sales@bevair.com

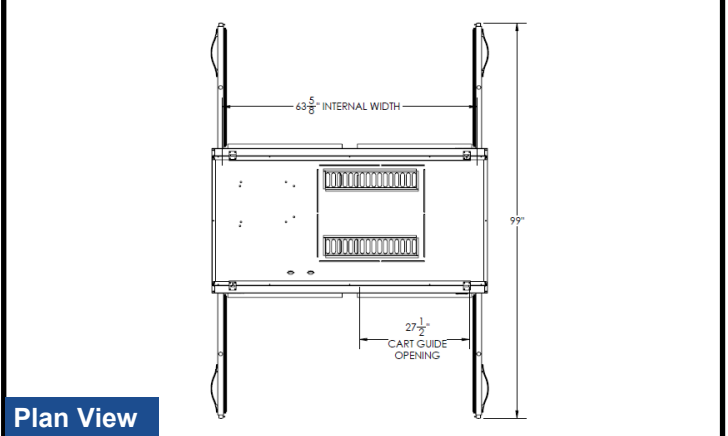


BEVERAGE-AIR

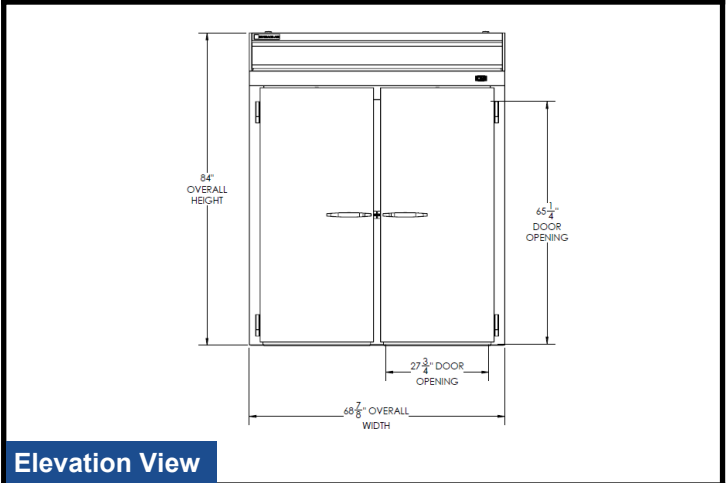
P Series - Top Mount Roll-Thru Refrigerator Models: PRT2-1AS

MODEL	PRT2-1AS
EXTERNAL DIMENSIONAL DATA	
Width Overall	68 7/8"
Depth Overall with Handle	39 7/8"
Height Overall	84"
Number of Doors	2
Depth with Door Open 90°	99"
Cart Guide Opening	27 1/2"
Door Opening (in)	27 3/4" x 65 1/4"
INTERNAL DIMENSIONAL DATA	
NET Capacity (cubic ft.)	71
Internal Width Overall (in)	63 5/8"
Internal Depth Overall (in)	26"
Internal Height Overall (in)	66 1/8"
ELECTRICAL DATA	
Full Load Amperes 115/60/1	12.6
REFRIGERATION DATA	
Horsepower	1/2
Capacity (BTU/Hr)*	4140
WEIGHT DATA	
Gross Weight (Crated lbs)	683 lbs
Height - Crated	88"
Width - Crated	78"
Depth - Crated	45"

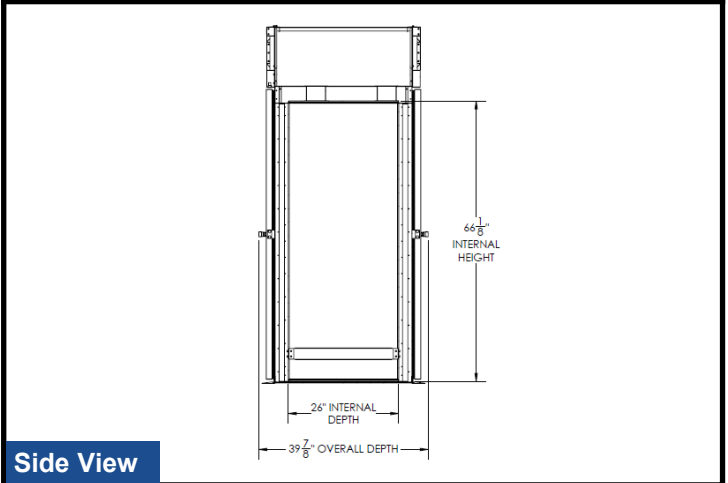
Model Views



Plan View



Elevation View



Side View

ELECTRICAL CONNECTION



115/60/1
NEMA 5-20P

Units pre-wired at factory and include 8' long cord and plug set.



an Ali Group Company



The Spirit of Excellence

3779 Champion Blvd., Winston-Salem, NC 27105
1-888-845-9800 Fax: 1-336-245-6453
Beverage-Air.com sales@bevair.com