



BEVERAGE-AIR

Project: _____	AIA#
Item: _____	
Location: _____	SIS#
Approved: _____	

HORIZONTAL BOTTLE COOLERS

SF34 Shallow Well Series

MODEL:
SF34-SS



SF34-SS

3 Year Parts/Labor Warranty
Additional 2 Year Compressor Warranty

CABINET CONSTRUCTION

- Stainless steel exterior and interior
- Tops include easy glide, stainless steel lids and stainless steel counter top
- Countertop with integral glass stops
- Two (2) Epoxy coated adjustable wire dividers
- Bottle cap & cap catcher standard
- Forced air refrigeration system holds product between 32° - 38°F
- Constructed with high cooling RPM fans to provide fast cooling

OPTIONS & ACCESSORIES

- Black exterior
- Lid Locks
- 3" casters or 6" Adjustable leg with plate

REFRIGERATION SYSTEM

- Refrigeration system uses R134A refrigerant to comply with all environmental concerns
- Automatic, non-electric defrost
- Epoxy coated evaporator coil

SF34 Deep Well Series: Horizontal Bottle Cooler



3779 Champion Blvd., Winston-Salem, NC 27105
 1-888-845-9800 Fax: 1-336-245-6453
 Beverage-Air.com sales@bevair.com

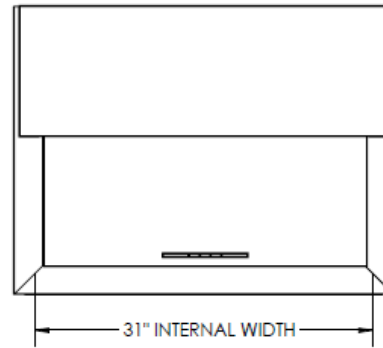


BEVERAGE-AIR

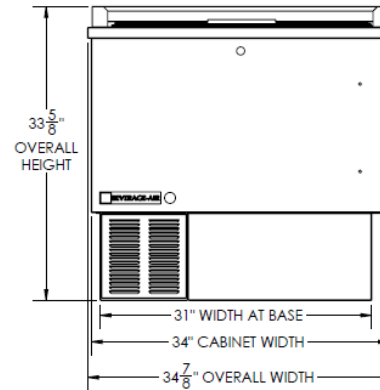
MODEL	SF34-SS
EXTERNAL DIMENSIONAL DATA	
Width Overall	34 7/8"
Depth Overall	26 1/2"
Height Overall	33 5/8"
Number of Lids	1
INTERNAL DIMENSIONAL DATA	
NET Capacity (cubic ft.)	7.5
Internal Width Overall (in)	31
Internal Depth Overall (in)	22 3/4"
Internal Height Overall (in)	18 3/8"
Number of Dividers	2
12 oz. Bottle Capacity	9 1/3 Cases
12 oz. Can Capacity	11 1/2 Cases
ELECTRICAL DATA	
Full Load Amperes 115/60/1	4.5
REFRIGERATION DATA	
Horsepower	1/5
WEIGHT DATA	
Gross Weight (Crated lbs)	228 lbs
Height - Crated	39"
Width - Crated	38"
Depth - Crated	29 1/2"

Horizontal Bottle Coolers Shallow Well Models Models: SF34-SS

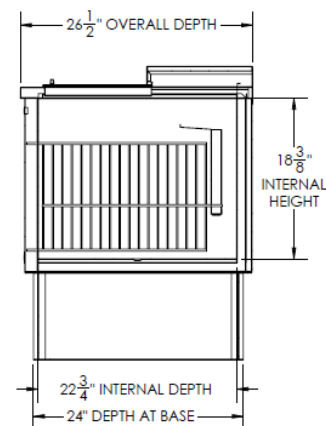
Model Views



Plan View



Elevation View



Side View

ELECTRICAL CONNECTION



115/60/1
NEMA-5-15P

Units pre-wired at factory and include 8' long cord and plug set.



an Ali Group Company



The Spirit of Excellence

3779 Champion Blvd., Winston-Salem, NC 27105
1-888-845-9800 Fax: 1-336-245-6453
Beverage-Air.com sales@bevair.com