



# BEVERAGE-AIR

Project: _____	AIA#
Item: _____	SIS#
Location: _____	
Approved: _____	

## SPE ELITE SERIES FOOD PREPARATION TABLES

SPE27HC Sandwich Prep Table  
Hydrocarbon Series

**MODELS:**  
**SPE27HC**

SPE27HC Elite Series Sandwich Prep: Standard Top Series



**SPE27HC**

**3 Year Parts/Labor Warranty**  
**Additional 2 Year Compressor Warranty**

### CABINET CONSTRUCTION

- Stainless steel front, sides, top, door and grille (galvanized back & bottom)
- Interior liner is made of corrosion resistant aluminum
- Full electronic control
- Removable hood and insulated lid assemblies are made of matching stainless steel
- Airflow assures that product in open containers is kept below 41°F and above freezing
- Self-closing door with 120° Stay-open feature, on cartridge style hinges
- Easy door removal for service and cleaning
- Field-reversible door with snap-in door gaskets
- Painted aluminum door handle
- 6" Casters, 2 with brakes standard
- 10" Wide cutting board constructed of white polyethylene plastic
- Cutting board removable for cleaning
- Two (2) epoxy-coated steel wire shelves standard
- Six (6) 1/6 4" deep pans constructed of polycarbonate plastic
- Two (2) 1/9 4" deep pans constructed of polycarbonate plastic
- Enhanced airflow maintains temperature between 36° to 38°F

### OPTIONS & ACCESSORIES

- Stainless steel back
- Stainless steel interior
- Right or left hinged
- Locks (doors only)
- Overshelves (single or double)
- Drawers models
- Crumb catcher
- 6" legs or 3" casters available
- Low profile casters
- Richlite & composite cutting board
- Night cover
- Shelf dividers
- Pan Supports
- Digital / stem dial thermometer
- Remote option

### REFRIGERATION SYSTEM

- Refrigeration system uses R290 refrigerant to comply with all environmental concerns
- Automatic, non-electric defrost
- Epoxy coated evaporator coil

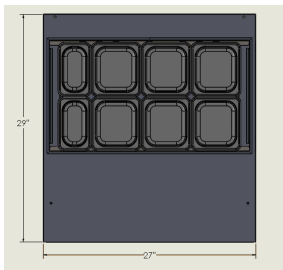


3779 Champion Blvd., Winston-Salem, NC 27105  
1-888-845-9800 Fax: 1-336-245-6453  
Beverage-Air.com sales@bevair.com



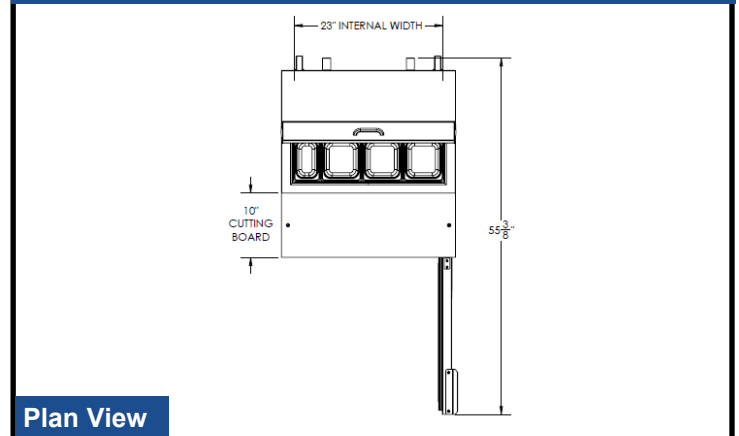
# BEVERAGE-AIR

MODEL	SPE27HC
<b>EXTERNAL DIMENSIONAL DATA</b>	
Width Overall	27"
Depth Overall with Bumper	31"
Height Overall with 6" Casters	45 3/8"
Number of Doors	1
Depth with Door Open 90 ° Extended	55 3/8"
Solid Door Opening (inches)	22 5/8" x 21 5/8"
Depth, Cutting Board	10"
<b>INTERNAL DIMENSIONAL DATA</b>	
NET Capacity (cubic ft.)	6.76
Internal Width Overall (in)	23"
Internal Depth Overall (in)	22 1/2"
Internal Depth Useable (in)	Upper 18 1/2" Lower 15 1/2"
Internal Height Overall (in)	23"
Internal Height Useable (in)	17 5/8"
Number of Shelves	2
Number of Pans	(6) 1/6 & (2) 1/9
<b>ELECTRICAL DATA</b>	
Full Load Amperes 115/60/1	2
<b>REFRIGERATION DATA</b>	
Horsepower	1/6
Capacity (BTU/Hr)*	1140
<b>WEIGHT DATA</b>	
Gross Weight (Crated lbs)	202 lbs
Height - Crated	46"
Width - Crated	30"
Depth - Crated	33"

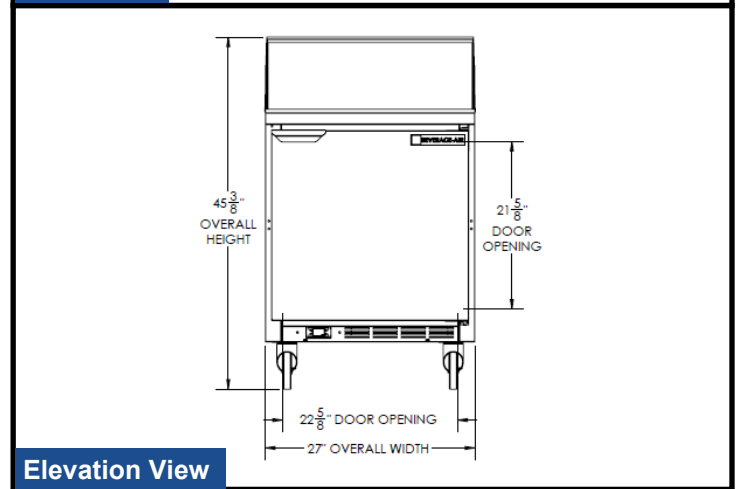


## Food Preparation Table — Standard Top Models: SPE27HC

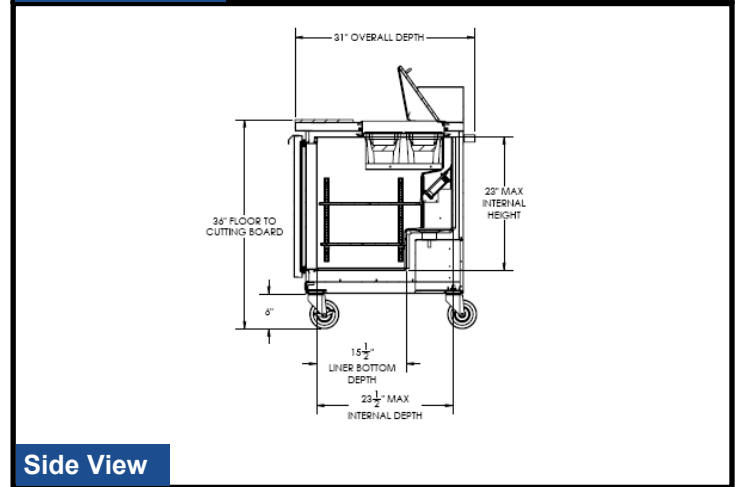
### Model Views



Plan View



Elevation View



Side View

### ELECTRICAL CONNECTION



115/60/1  
NEMA-5-15P

Units pre-wired at factory and include 8' long cord and plug set.



an Ali Group Company



The Spirit of Excellence

3779 Champion Blvd., Winston-Salem, NC 27105  
1-888-845-9800 Fax: 1-336-245-6453  
Beverage-Air.com sales@bevair.com