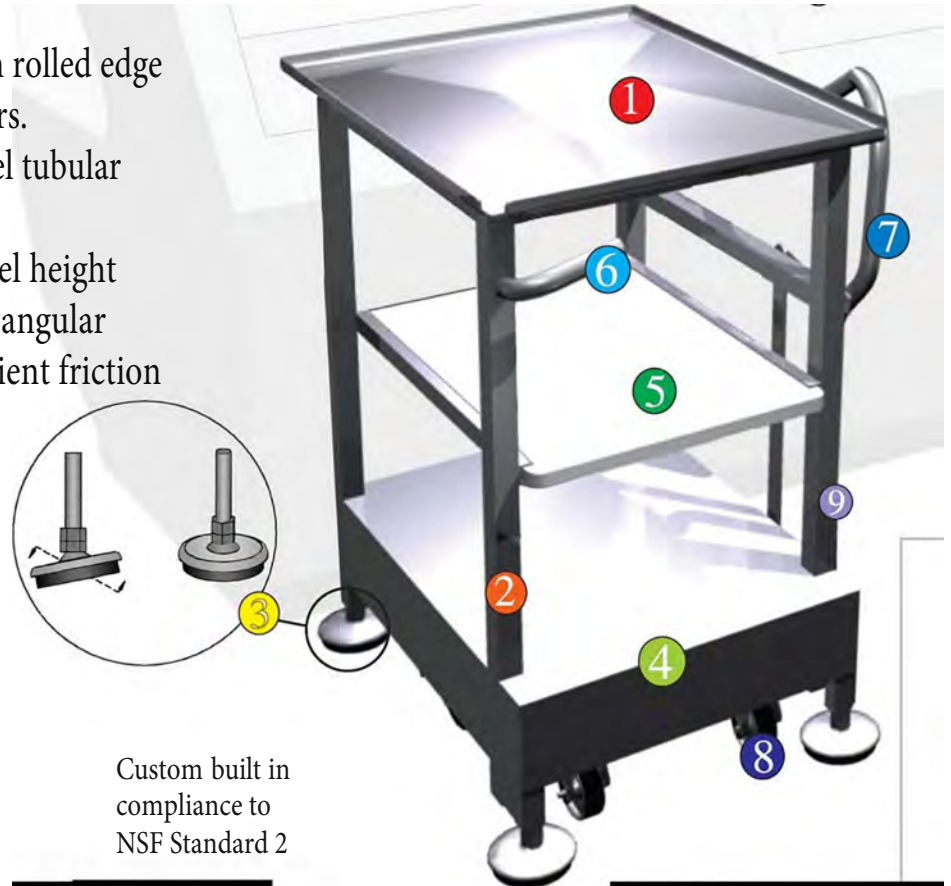


B56-BZ-1 Work Table Equipment Stand

Rolling working table with retractable wheels for optimum versatility. Provides excellent stability and correct working height for the full range of Bizerba products. Including the GSP manual & automatic safety slicers, 350M-VS12F-Prosciutto slicer, VS 12 D-V fully automatic slicer, VS 12 F & F-P manual slicer, and B 100 bread slicer.

SPECIFICATIONS

1. Stainless Type 304 steel top with rolled edge and open rounded front corners.
2. Stainless Type 304 stainless steel tubular frame construction.
3. Stainless Type 304 stainless steel height adjustable feet with 7.5 degree angular misalignment and high coefficient friction 3.5" diameter padded shoes.
4. Heavy Duty Type 304 stainless steel lower shelf.
5. Slide out removable Polsan mid-shelf.
6. Left handle grip.
7. Tall ergo-style right handle.
8. Heavy duty work station with four (4) retractable ball bearing wheels, "Center Pivot Design". Standard galvanized undercarriage caster channel mounting brackets and linkage. Optional - 304 stainless steel undercarriage available.
9. Low center of gravity counter-weighted frame.



Custom built in compliance to NSF Standard 2



Warranty

The Bizerba B56-BZ-1 work table equipment stand carries a one-year, on-site parts and labor warranty against any flaws in materials and workmanship. This period begins with the date of purchase and, provided the unit is used properly in accordance with our instructions, is in full effect for one year from that date. Any work to be performed under this warranty must be performed between the hours of 8:00 a.m. and 4:30 p.m. local time, Monday to Friday. Bizerba will not pay over-time charges for work performed other than during normal business hours. Accessories have a 30-day replacement or repair warranty for the period beginning on the date of purchase. Damages incurred in transit or from installation error, accident, alteration or misuse are not covered. Transit damages should be reported to the carrier immediately. Bizerba shall not be liable for any consequential, compensatory, incidental, or special damages. All warranty work must be performed by a factory authorized Bizerba Representative.

Bizerba USA Inc.
Bizerba North America
1804 Fashion Court
Joppa, MD 21085
USA
Tel. Office +1 732 565-6000
Tel. Service +1 732 565-6001
Fax +1 732 819-0429
us.info@bizerba.com
www.bizerba.com

B56-BZ-1

BIZERBA

■ **Food Service**

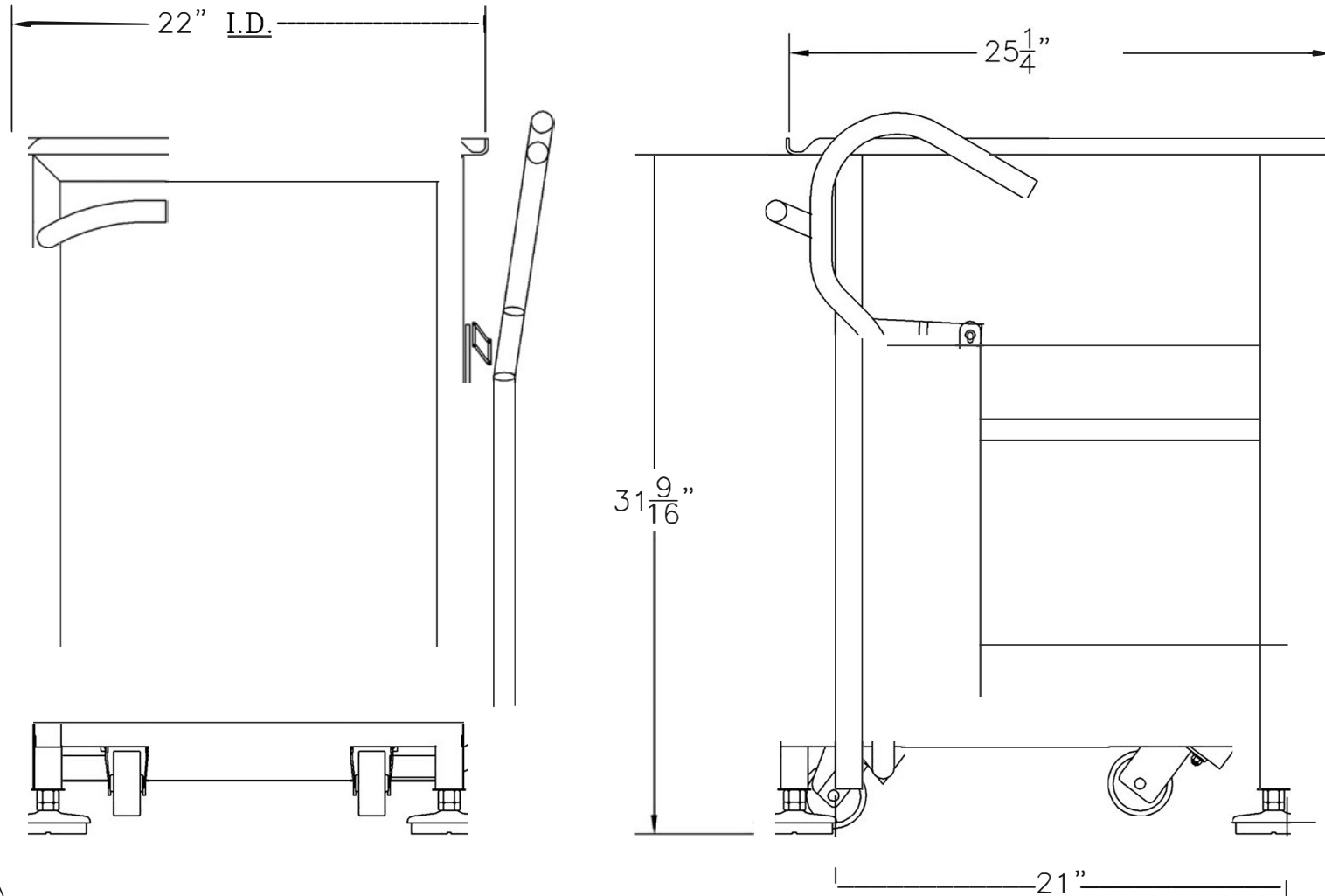
Project Name _____

Model/s _____

Number _____

Quantity _____

C.S.I. Division 11 | Section 400



Custom built in compliance with NSF Standard 2 Bizerba Revised 12/01/2016

Bizerba Equipment Stand by M&E Mfg. Co., Inc. covered by one or more of the following U.S. Patents: 5,330,064; 5,386,787; 5,471,922; 5,503,087; 5,628,522; 5,957,309; 6,062,401, 6,149,120; 6,322, 180; 6,366,313; 6,474,757; 6,974,042; 7,419,063; D480,528; D481,513 & Canadian patent 2,169,336. Other U.S. & foreign patents pending.

