

BIZERBA

■ **Food Service**

... S 111 Plus-1
– strip cutter
and meat
tenderizer ...



- I/O switch. Front mounted, waterproof tactile keypad. Provides hygiene protection
- Tenderizer set contains 41 disks, each which 12 blades
- Blades are now sharper allowing for a deeper cut
- AC motor with internal cooling system, 1/2 horse power, 4.6 Amps
- Transparent, high protective cover ensures optimum safety
- Maximum product size = 7.6" x 1.18"
- Mechanical safety cannot be by-passed
- Housing is made of stainless steel, total weight is 73 lbs
- Mounted on unbreakable feet, wide footprint makes it sturdy and tilt-proof
- Stainless steel receiving tray
- Strip cutter knife sets available in 0.15", 0.23" and 0.31" (4, 6 and 8 mm)
- 0.39", 0.47", 0.62", 0.78" and 1.18" (10, 12, 16, 20 and 30 mm) widths can be special ordered
- Feeding paddles keeps operator's hand away from knife set.

- **Ideal for stir-fry meats and vegetables**
- **Round produce length-wise, then horizontally for fast cutting**
- **For tenderizer steaks and quick frying**
- **Optional top mounted feed tray.**



Model #: S 111 Plus-1 |

Stock #: 720501

C.S.I. Division 11 | Section 400

Project Name: _____ AIA # _____

Location: _____ SIS # _____

Item Number: _____

Quantity: _____

BIZERBA

Food Service

Voltage/frequency

- 120 V
- 60 Hz

Motor/power output

- 0.62 kW

Cutting insert/revolutions

- 100 rpm

Cutting insert box dimensions

- (L x W x H) 11.81" x 7.48" x 9"
- (300 x 190 x 230 mm)

Max. through clearance

- 7.7" x 1.2" (195 x 30 mm)

Space required

- (L x W x H) 15.9" x 13.8" x 18"
- (405 x 350 x 456 mm)

Weight

- (with cutting insert) 57.2 lbs (26 kg)

Cutting insert weight

- 11 lbs (5 kg)

Packing case

- (L x W x H) 29.13" x 22.44" x 18.11"
- (740 x 570 x 460 mm)

Protection

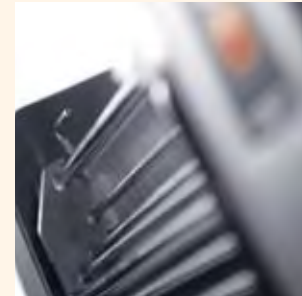
- IP 33

EC type approval certificate

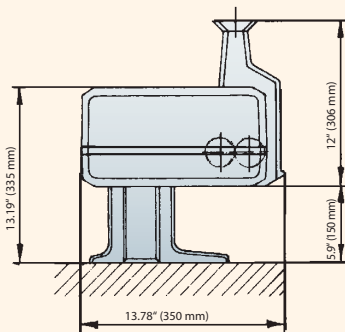
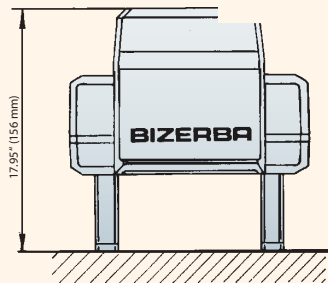
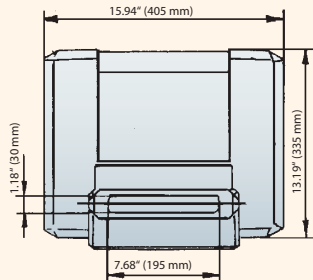
- No. 94017

Accessories

- FT-1 - Top-mounted Feed tray
- KT-1 - Knitting Tenderizing Set
- SC-316 - 3/16" (4mm) Strip Cutter Knife Set
- SC-14 - 1/4" (6mm) Strip Cutter Knife Set
- SC-516 - 5/16" (8mm) Strip Cutter Knife Set
- SC-12 - 1/2" (12mm) Strip Cutter Knife Set
- SC-34 - 3/4" (20mm) Strip Cutter Knife Set



Interchangeable
Knife / Knitting Set



Warranty

The S111 PLUS strip cutter and meat tenderizer carries a one-year, on-site parts and labor warranty against any flaws in materials and workmanship. This period begins with the date of purchase and, provided the unit is used properly in accordance with our instructions, is in full effect for one year from that date. Any work to be performed under this warranty must be performed between the hours of 8:00 a.m. and 4:30 p.m. local time, Monday to Friday. Bizerba will not pay overtime charges for work performed other than during normal business hours. Accessories have a 30-day replacement or repair warranty for the period beginning on the date of purchase. Damages incurred in transit or from installation error, accident, alteration or misuse are not covered. Transit damages should be reported to the carrier immediately. Bizerba shall not be liable for any consequential, compensatory, incidental, or special damages. All warranty work must be performed by a factory authorized Bizerba Representative.

Members of the Bizerba Group

Bizerba GmbH & Co. KG
 Wilhelm-Kraut-Straße 65
 72336 Balingen
 Germany
 Tel. +49 7433 12-0
 Fax +49 7433 12-2696
 marketing@bizerba.de
 www.bizerba.com

Bizerba USA Inc.
 1804 Fashion Court
 Joppa, MD 21085
 USA
 Tel. Office +1 732 565-6000
 Tel. Service +1 732 565-6001
 Fax +1 732 819-0429
 us.info@bizerba.com
 www.bizerba.com

Bizerba Canada Inc.
 2810 Argentinia Road #9
 Mississauga,
 Ontario L5N 8L2
 Canada
 Tel. +1 905 816-0498
 Fax +1 905 816-0497
 sales@bizerba.ca
 www.bizerba.ca

Bizerba de México, S.A. de C.V.
 Av. Rio Mixcoac No. 157
 Colonia Florida
 01030 México, D.F.
 México
 Tel. +52 55 5663-1397
 Fax +52 55 5663-1296
 eduardo.aburto@bizerba.com.mx
 www.bizerba.com.mx