

BIZERBA

■ **Food Service**



Bizerba VS 12 series slicers are certified to the NSF/ANSI 8-2012 standard.

Operator & Food Safety are our top-priorities ...

... Restaurant BOH series,
 VS 12 F & VS 12 F-P – manual slicer ...



VS 12 F

- 13 3/4" diameter blade for large products. 12" x 8"
 - Special product support for exact and consistent slices
 - Particularly suited for slicing large joints of fresh meat and ham ■
- Ideal for professional application in restaurant butchers' shops, deli departments, bakeries and in the catering industry
- This precision slicer is preferred wherever large quantities of product have to be efficiently processed and neatly presented.

VS 12 F-P

- The VS 12 F-P is equipped with a special clamping Carriage for slicing large pieces of ham such as Parma or Serrano ham.

Best blade in the industry

The unique design of our blade produces clean and consistent slices. The hardness results in a long lasting sharp edge. The life of the blade is dramatically longer than the competition. The circumference translates into an additional 4" of blade passing through the product per revolution. Our standard blade is the hardest, thinnest, largest, straightest blade in the industry.

- 13.8" diameter, chromium plated steel
- 60-62 Rockwell hardness at the edge
- Top quality gravity feed slicer with low-profile carriage for heavy product.

Model #: VS 12 F Stock #: 175703 | VS 12 F-P Stock #: 180021

C.S.I. Division 11 | Section 400

Project Name: _____ AIA # _____

Location: _____ SIS # _____

Item Number: _____

Quantity: _____

BIZERBA

■ **Food Service**

1-phase AC current

- 120/230 V, specialised data available on request
- 60/50 Hz
- 3.3/1.8 A
- Power consumption 0.400/0.400 kW

3-phase AC current

- 230/400 V, specialised data available on request
- 50 Hz
- 1.2/0.68 A
- Power consumption 0.270 kW

Blade diameter

- 13.8" (350 mm)

Blade speed

- 266 r.p.m.

Max. slicing capacity

- With product support panel (W x H)
12" x 10.2", (306 x 260 mm)
- Without product support panel (W x H)
VS 12 F: 12.4" x 10.2" (315 x 260 mm)
VS 12 F-P: 12.8" x 10.2" (325 x 260 mm)

Installation area

- (L x B) 23.8" x 16.9" (605 x 430 mm)
reduced 15.2" x 16.9" (385 x 430 mm)

External dimensions

- VS 12 F:
33.9" x 30.3" x 18.9" (860 x 770 x 480 mm)
- VS 12 F-P:
35.0" x 28.7" x 18.9" (890 x 730 x 480 mm)

Weight of machine

- VS 12 F: 104.5 lbs (47.5 kg)
- VS 12 F-P: 110.7 lbs (50.3 kg)

Weight of machine incl. box

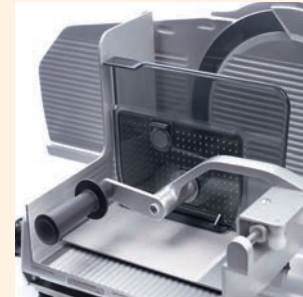
- VS 12 F: 127.6 lbs (58 kg)
- VS 12 F-P: 134.2 lbs (61 kg)

Packing case

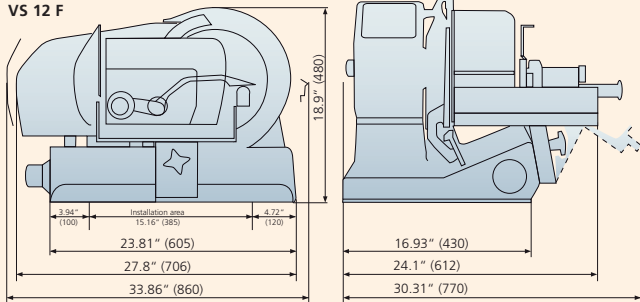
- (L x W x H) 35.4" x 33" x 25" (900 x 825 x 630 mm)

Protection type

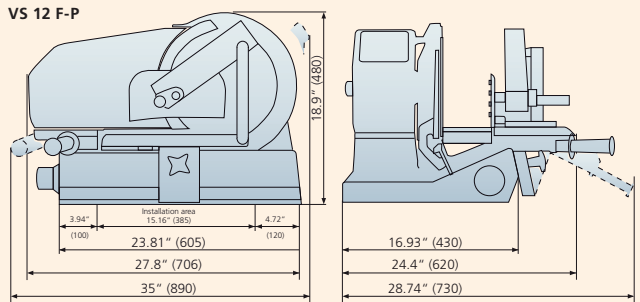
- IP 33



VS 12 F



VS 12 F-P



Warranty

The VS 12 F/VS 12 F-P carries a one-year, on-site parts and labor warranty against any flaws in materials and workmanship. This period begins with the date of purchase and, provided the unit is used properly in accordance with our instructions, is in full effect for one year from that date. Any work to be performed under this warranty must be performed between the hours of 8:00 a.m. and 4:30 p.m. local time, Monday to Friday. Bizerba will not pay over-time charges for work performed other than during normal business hours. Accessories have a 30-day replacement or repair warranty for the period beginning on the date of purchase. Damages incurred in transit or from installation error, accident, alteration or misuse are not covered. Transit damages should be reported to the carrier immediately. Bizerba shall not be liable for any consequential, compensatory, incidental, or special damages. All warranty work must be performed by a factory authorized Bizerba Representative.

Members of the Bizerba Group

Bizerba GmbH & Co. KG
Wilhelm-Kraut-Straße 65
72336 Balingen
Germany
Tel. +49 7433 12-0
Fax +49 7433 12-2696
marketing@bizerba.de
www.bizerba.com

Bizerba USA Inc.
1804 Fashion Court
Joppa, MD 21085
USA
Tel. Office +1 732 565-6000
Tel. Service +1 732 565-6001
Fax +1 732 819-0429
us.info@bizerba.com
www.bizerba.com

Bizerba Canada Inc.
2810 Argentia Road #9
Mississauga,
Ontario L5N 8L2
Canada
Tel. +1 905 816-0498
Fax +1 905 816-0497
sales@bizerba.ca
www.bizerba.ca

Bizerba de México, S.A. de C.V.
Av. Rio Mixcoac No. 157
Colonia Florida
01030 México, D.F.
México
Tel. +52 55 5663-1397
Fax +52 55 5663-1296
eduardo.aburto@bizerba.com.mx
www.bizerba.com.mx