



One Compartment - No Drainboards

Stainless Steel Compartment Sinks



Use your smart phone to scan the above QR code to visit our website:
www.bk-resources.com

Certifications:



Shown as:
 Model #s ending in S

Features:

- 1 1/2" Rounded Front and Side Edges
- Accommodates 8" On Center Faucets
- Drain Included
- 9" Backsplash

Options:

- Pre-Rinse Units & Faucets
- Lever Drains
- Upgraded Bullet Feet
- Slant Rack Shelf (BK-SSH)
- End Splash (BKS-RES)
- S/S Basket Drain (BKDR-4-304)

Material:

- T-304 18 ga. Stainless Steel Deck & Bowl
- 1 5/8" Galvanized Legs
- Adjustable High Impact Corrosion Resistant Feet

Model #s ending with "S":

- T-304 18 ga. Stainless Steel Deck & Bowl
- Stainless Steel Legs
- Stainless Steel End Bracing
- Adjustable Stainless Steel over Plastic Bullet Feet

Part Number	Unit Size (l x w)	Bowl Dim. (l x w x d)	Sets of Faucet Holes	Drainboard Size	Legs
BKS-1-1620-12	21" x 25 ^{13/16"}	16" x 20" x 12"	1	None	Galvanized
BKS-1-1620-12S	21" x 25 ^{13/16"}	16" x 20" x 12"	1	None	Stainless Steel w/ End Bracing
BKS-1-18-12	23" x 23 ^{13/16"}	18" x 18" x 12"	1	None	Galvanized
BKS-1-18-12S	23" x 23 ^{13/16"}	18" x 18" x 12"	1	None	Stainless Steel w/ End Bracing
BKS-1-1824-14	23" x 29 ^{13/16"}	18" x 24" x 14"	1	None	Galvanized
BKS-1-1824-14S	23" x 29 ^{13/16"}	18" x 24" x 14"	1	None	Stainless Steel w/ End Bracing
BKS-1-20-12	25" x 25 ^{13/16"}	20" x 20" x 12"	1	None	Galvanized
BKS-1-20-12S	25" x 25 ^{13/16"}	20" x 20" x 12"	1	None	Stainless Steel w/ End Bracing
BKS-1-24-14	29" x 29 ^{13/16"}	24" x 24" x 14"	1	None	Galvanized
BKS-1-24-14S	29" x 29 ^{13/16"}	24" x 24" x 14"	1	None	Stainless Steel w/ End Bracing

PRODUCT DATA SHEET

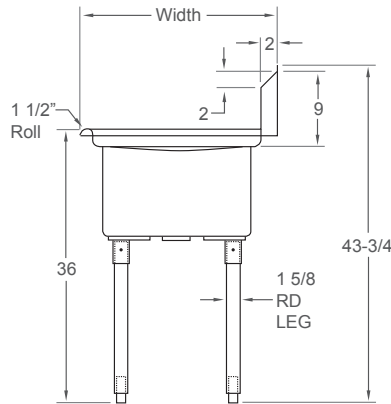
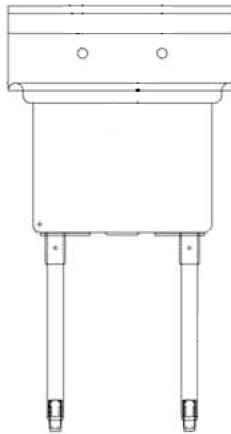
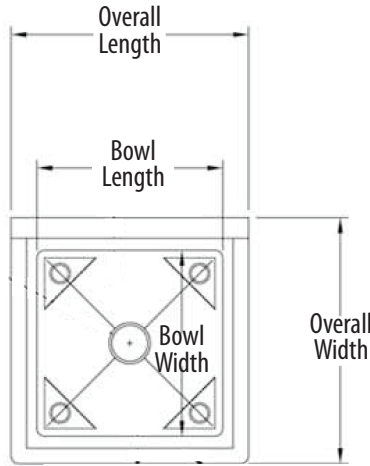
BK RESOURCES





One Compartment - No Drainboards

Stainless Steel Compartment Sinks



PRODUCT DATA SHEET

BK RESOURCES

