



Machine Stands

Stainless Steel Machine Stands



Use your smart phone to scan the above QR code to visit our website:
www.bk-resources.com

Certifications:



Features:

- Top Reinforced with Square Tubing that is an Integrally Welded "C" Channel
- Adjustable Undershelf
- Marine Edge
- 19 5/8" Height
- Evenly Distributed Static Load of 2,500 lbs.

Options:

- Casters
- Upgraded Bullet Feet
- Extra Shelves

Material:

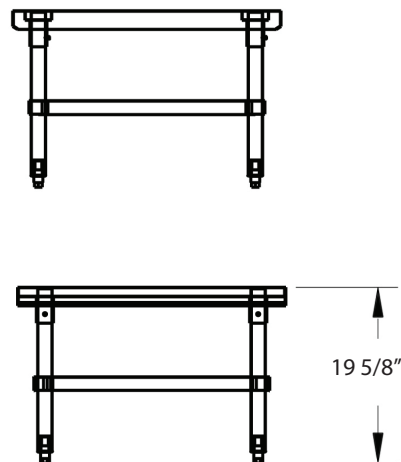
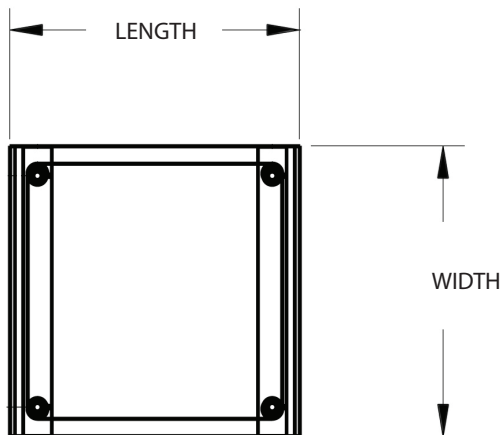
SS Series: S/S w/ Stainless Steel Legs & Undershelf

- T-304 14 ga. Stainless Steel Top
- Stainless Steel Legs & Adjustable Undershelf with Cast Aluminum Corners
- S/S Bullet Feet

GS Series: S/S w/ Galvanized Legs & Undershelf

- T-304 14 ga. Stainless Steel Top
- Galvanized Legs & Adjustable Undershelf with Cast Aluminum Corners
- White Metal Bullet Feet

SS Series		GS Series	
T-304 S/S w/ S/S Legs & Undershelf		T-304 S/S w/ Galv. Legs & Undershelf	
S/S Top S/S Base	Size (l x w)	S/S Top Galv. Base	Size (l x w)
MST-2424SS	24" x 24"	MST-2424GS	24" x 24"
MST-3024SS	30" x 24"	MST-3024GS	30" x 24"
MST-3030SS	30" x 30"	MST-3030GS	30" x 30"
MST-3630SS	36" x 30"	MST-3630GS	36" x 30"



PRODUCT DATA SHEET

BK RESOURCES

