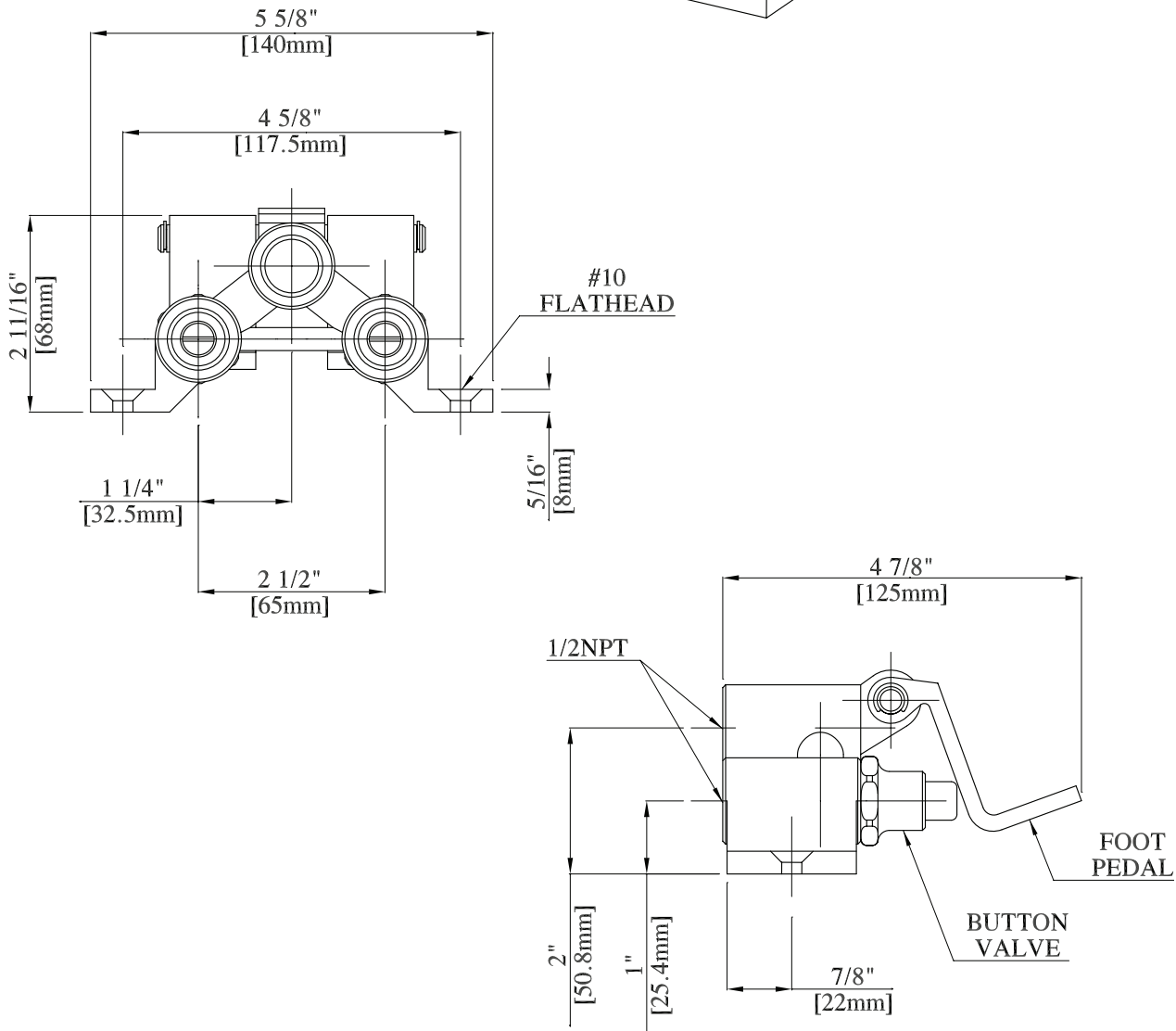
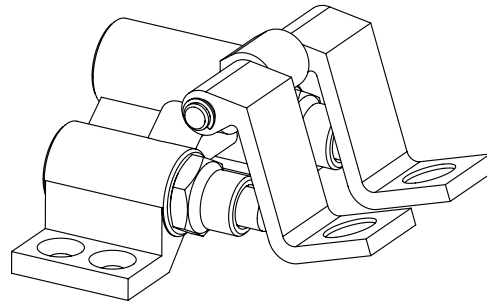




Use your smart phone to scan the above QR code to visit our website: www.bk-resources.com

Dual Pedal Foot Valve

Model: BKFV-G, Lead Free



Product Specifications:

- Cast Body
- Chrome Plated Pedals

Certifications:



PRODUCT SPECIFICATION SHEET

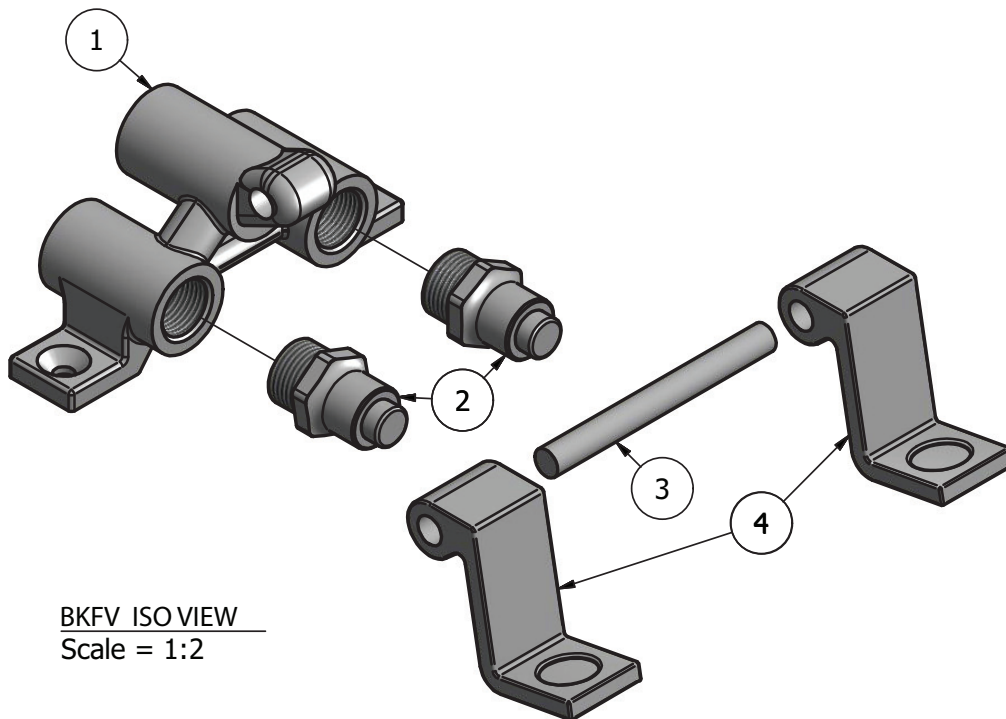
RESOURCES





Dual Pedal Foot Valve

Model: BKFV-G, Lead Free



BKFV ISO VIEW
Scale = 1:2

Exploded Parts Detail:

Diagram #	Quantity	Part Number	Description
1	1	BKFV-G	Mixing Valve
2	2	BKKV-010XST-G	Cartridge
3	1	BKFV-PIN	Pin 1
4	2	BKFV-HP/CP	Handle

