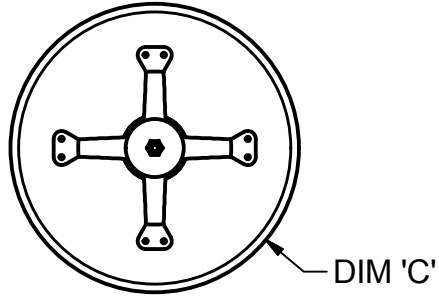
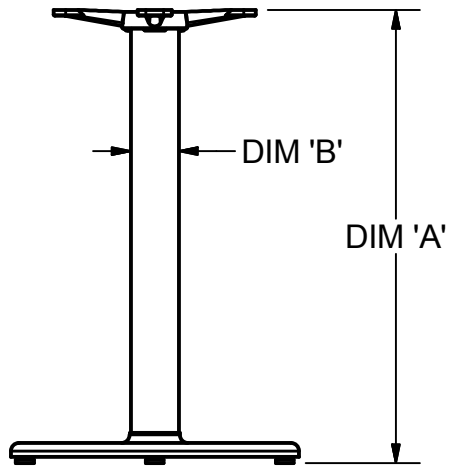


BK-XRTB-XX
- TOP VIEW
Scale = 1:12



BK-XRTB-XX
- FRONT VIEW
Scale = 1:12



BK-XRTB-XX - ISO VIEW
Scale = 1:12

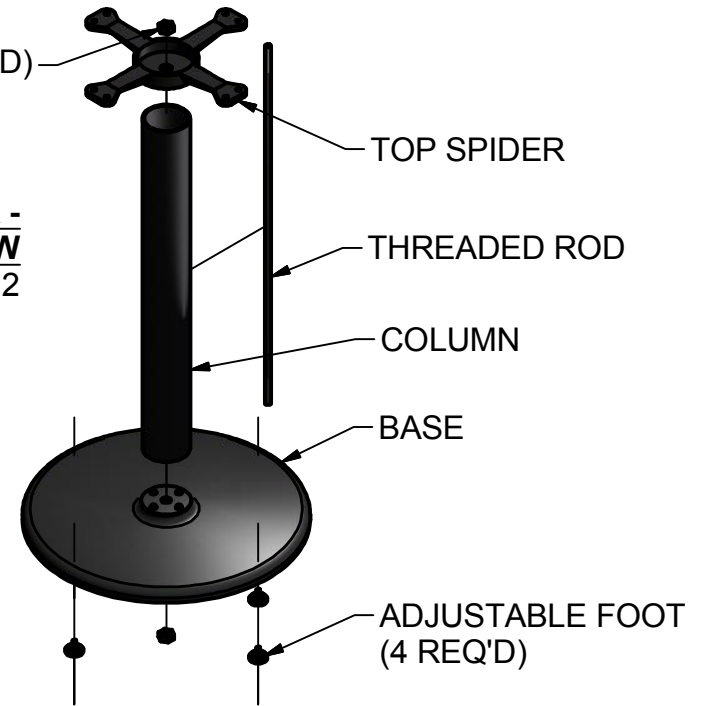


TABLE				
PART NO	DIM 'A'	DIM 'B'	DIM 'C'	REMARKS
BK-BRTB-18	28.50	3.00	18.00	
BK-DRTB-18	41.50	3.00	18.00	
BK-BRTB-22	28.50	4.00	22.00	
BK-DRTB-22	41.50	4.00	22.00	
BK-BRTB-30	28.50	4.00	30.00	
BK-DRTB-30	41.50	4.00	30.00	

GENERAL NOTES:

- 1.) Units of Measure: Inches [Millimeters]
- 2.) Content is exclusive property of BK Resources. This may not be replicated or distributed without the written consent of BK Resources.
- 3.) Material: Cast steel
- 4.) Finish: Black Powder Coat
- 5.) Tolerance: (+/-) 0.15mm

DRAWN	Jacob.Doedtman	3/29/2014
CHECKED		
QA		
MFG		
APPROVED		

BK RESOURCES 120 Frontage Rd.
Altamont, IL 62411

TITLE
MODEL:
BK-XRTB-XX
3-PC ROUND TABLE BASE

SIZE	A	DWG NO	BK-XRTB-XX	REV	
SCALE	As Noted			SHEET 1 OF 1	