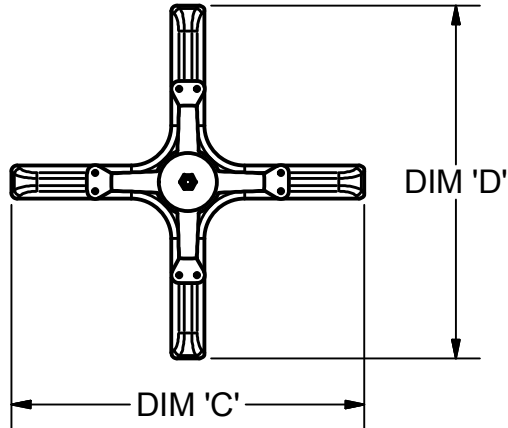


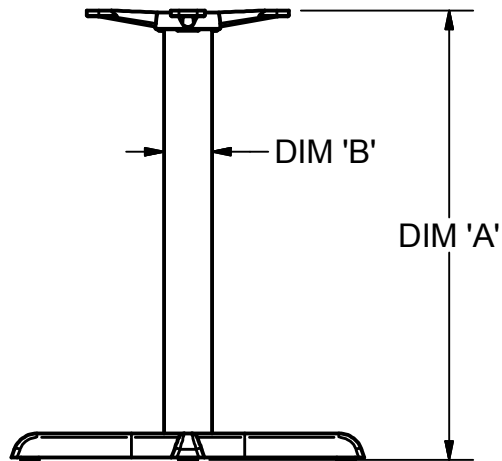
2



1



BK-XXTB-XXXX
- TOP VIEW
Scale = 1:12



BK-XXTB-XXXX
- FRONT VIEW
Scale = 1:12

THREADED ROD

BK-XXTB-XXXX
- ISO VIEW
Scale = 1:12

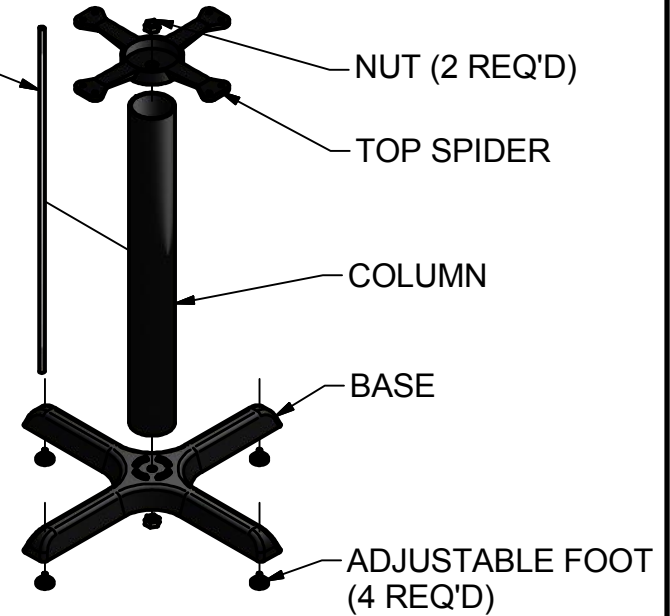


TABLE					
PART NO	DIM 'A'	DIM 'B'	DIM 'C'	DIM 'D'	REMARKS
BK-BXTB-2222	28.50	3.00	22.00	22.00	
BK-DXTB-2222	41.50	3.00	22.00	22.00	
BK-BXTB-2430	28.50	3.00	24.00	30.00	
BK-DXTB-2430	41.50	3.00	24.00	30.00	
BK-BXTB-3030	28.50	3.00	30.00	30.00	
BK-DXTB-3030	41.50	3.00	30.00	30.00	

GENERAL NOTES:

- 1.) Units of Measure: Inches [Millimeters]
- 2.) Content is exclusive property of BK Resources. This may not be replicated or distributed without the written consent of BK Resources.
- 3.) Material: Cast steel
- 4.) Finish: Black Powder Coat
- 5.) Tolerance: (+/-) 0.15mm

DRAWN	Jacob.Doedtman	3/29/2014
CHECKED		
QA		
MFG		
APPROVED		
SIZE	A	
SCALE	As Noted	



RESOURCES

120 Frontage Rd.
Altamont, IL 62411

TITLE

MODEL:
BK-XXTB-XXXX
3-PC TABLE BASE

SIZE	A	DWG NO	BK-XXTB-XXXX	REV	
------	---	--------	--------------	-----	--

SCALE	As Noted	SHEET 1 OF 1
-------	----------	--------------

2



1