



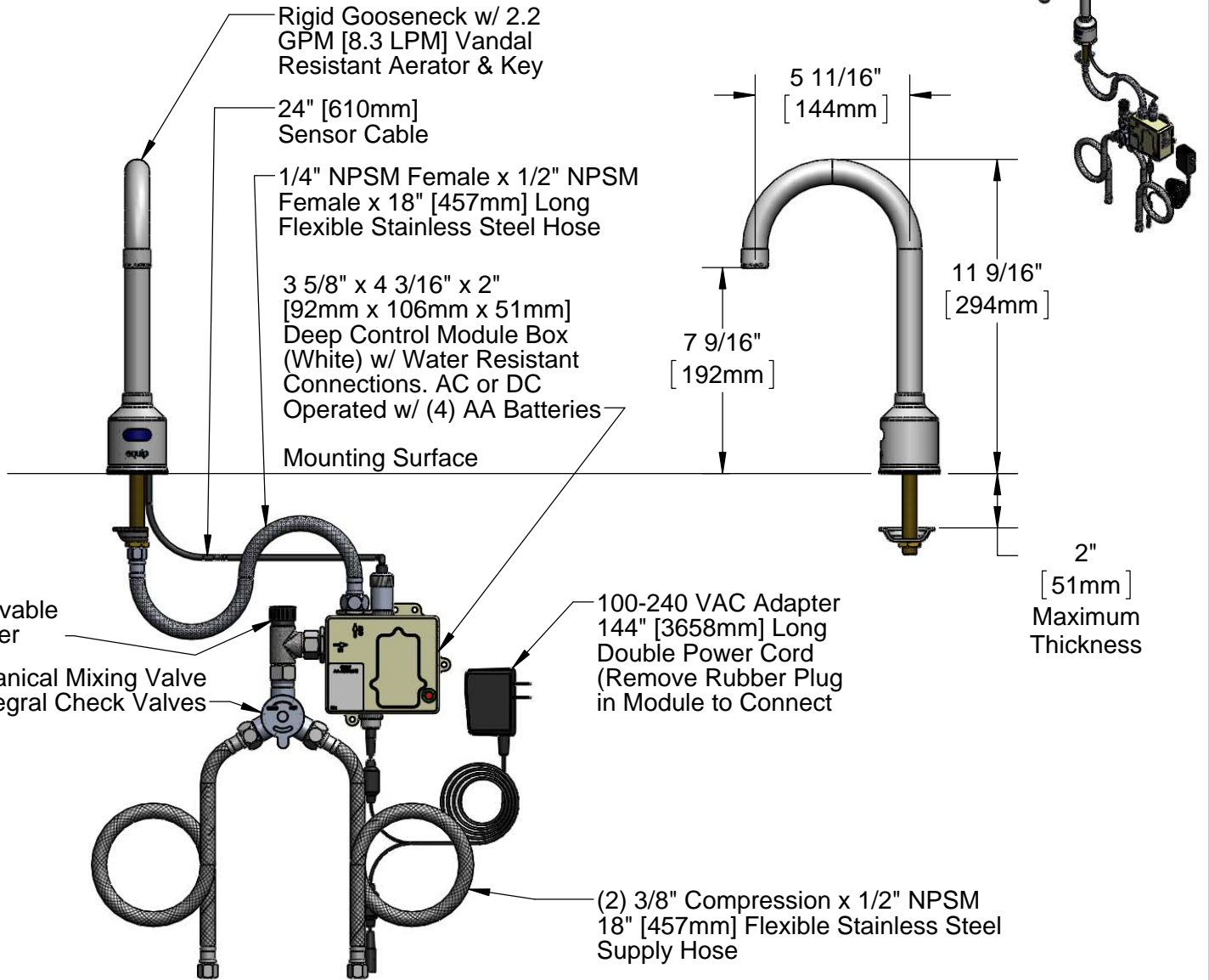
Ø 2 1/4"
[57mm]
Base



ADA Compliant

This Space for Architect/Engineer Approval

Job Name _____ Date _____
 Model Specified _____ Quantity _____
 Customer/Wholesaler _____
 Contractor _____
 Architect/Engineer _____



Rough-In Requirement:
Ø 1" [25mm] Mounting Hole

Model Number 5EF-1D-DG	Date 01/09/13	Scale 1:6	Drawn KJG	Checked GEF	Approved JHB
----------------------------------	-------------------------	---------------------	---------------------	-----------------------	------------------------

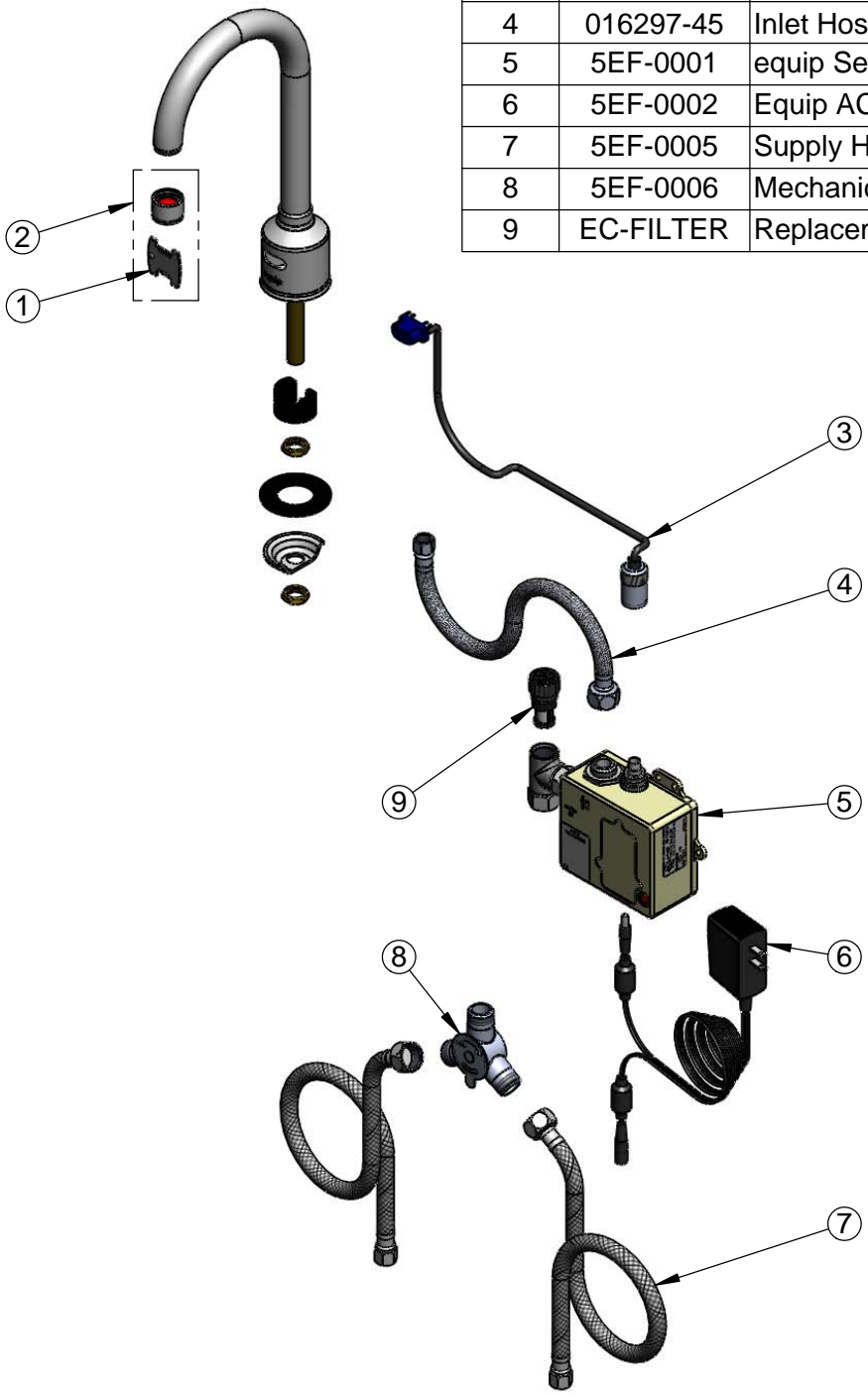


Product Specifications:

Electronic Faucet: Deck Mount, Rigid Gooseneck w/ VR 2.2 GPM Aerator, Temperature Control Mixing Valve w/ Integral Check Valves, (2) 18" Long Flexible Supply Hoses & AC-DC Control Module

equip Foodservice Accessories
 2 Saddleback Cove, P.O. Box 1088
 Travelers Rest, South Carolina 29690
 Phone: 800.891.4808 Fax: 800.868.0084

ITEM NO.	SALES NO.	DESCRIPTION
1	015425-45	Vandal Resistant Key
2	B-0199-06	VR Aerator w/ Key
3	5EF-0004	24" Sensor Cable
4	016297-45	Inlet Hose, Faucet, 1/2" NPSM-F x 1/4" NPSM-F
5	5EF-0001	equip Sensor Faucet - Control Module
6	5EF-0002	Equip AC Transformer, 100-240 VAC
7	5EF-0005	Supply Hose, 9/16-24 Female x 1/2" NPSM
8	5EF-0006	Mechanical Mixing Valve
9	EC-FILTER	Replacement Filter



Model Number 5EF-1D-DG	Date 01/09/13	Scale NTS	Drawn KJG	Checked GEF	Approved JHB
----------------------------------	-------------------------	---------------------	---------------------	-----------------------	------------------------



Product Specifications:

Electronic Faucet: Deck Mount, Rigid Gooseneck w/ VR 2.2 GPM Aerator, Temperature Control Mixing Valve w/ Integral Check Valves, (2) 18" Long Flexible Supply Hoses & AC-DC Control Module

equip Foodservice Accessories
 2 Saddleback Cove, P.O. Box 1088
 Travelers Rest, South Carolina 29690
 Phone: 800.891.4808 Fax: 800.868.0084