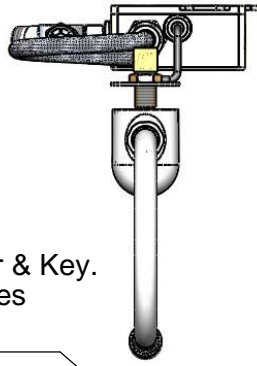




ADA Compliant



Swivel Gooseneck w/ 2.2 GPM [8.3 LPM] Vandal Resistant Aerator & Key. Rigid Conversion Requires 017421-45 Lock Washer (Included)

30" [762mm] Long Flexible Stainless Steel Hose Between Shank & Control Module

10 3/4" [273mm]

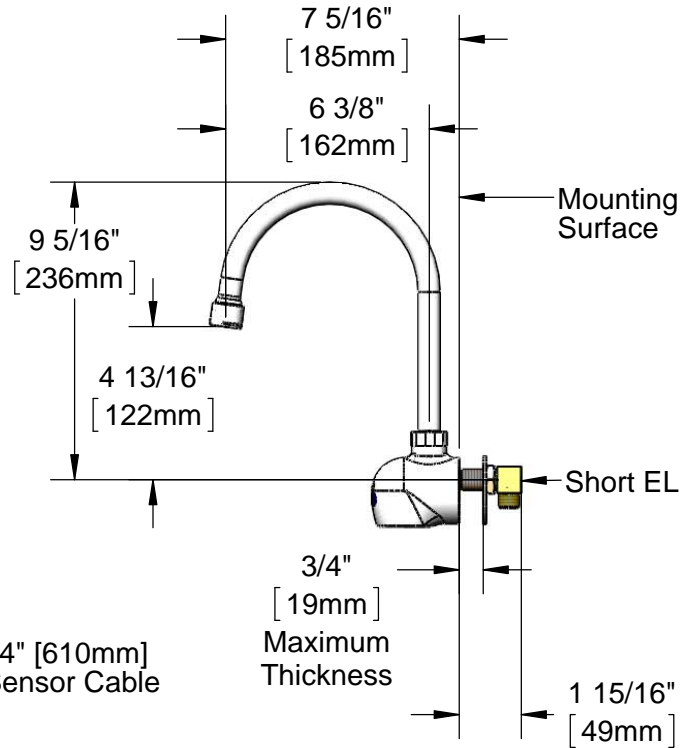
Removable Strainer

Mechanical Mixing Valve w/ Integral Check Valves

(2) 18" [457mm] Flexible Stainless Steel Supply Hoses. 1/2" NPSM Female x 3/8" Compression Female

24" [610mm] Sensor Cable
3 5/8" x 4 3/16" x 2" Deep [92mm x 106mm x 51mm] Control Module Box (White) w/ Water Resistant Connections. AC or DC Operated w/ (4) AA Batteries

100-240 VAC Adapter w/ 144" [3658mm] Long Double Power Cord



This Space for Architect/Engineer Approval

Job Name _____ Date _____

Model Specified _____ Quantity _____

Customer/Wholesaler _____

Contractor _____

Architect/Engineer _____

Notes:
Rough-In Requirement
Ø 1 1/8" [29mm] Mounting Hole

| | | | | | |
|----------------------------------|-------------------------|---------------------|---------------------|-----------------------|------------------------|
| Model Number 5EF-1D-WG | Date 03/18/13 | Scale 1:6 | Drawn DHL | Checked DMH | Approved JHB |
|----------------------------------|-------------------------|---------------------|---------------------|-----------------------|------------------------|

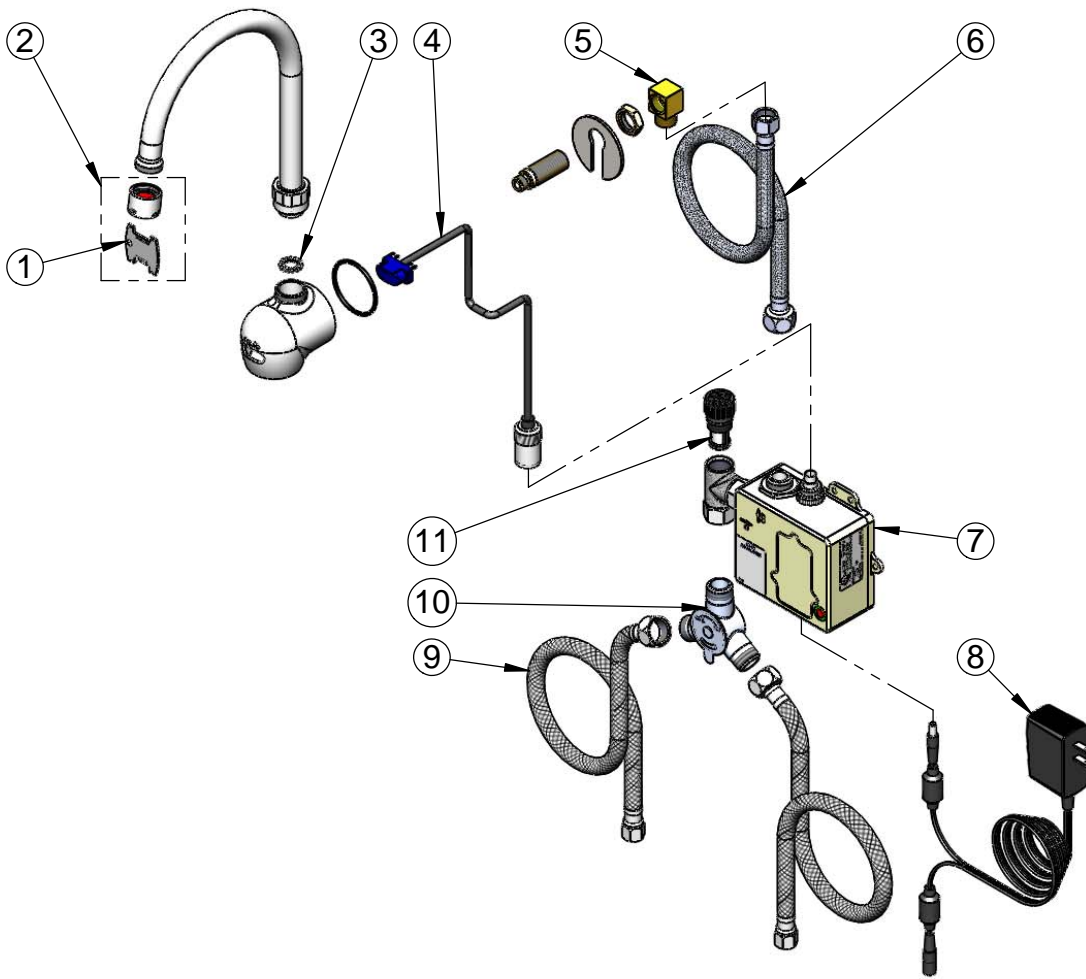
Product Specifications:

Electronic Faucet: Wall Mount Swivel Gooseneck w/ VR Aerator, AC-DC Control Module, Temperature Control Mixing Valve w/ Integral Check Valves & 18" Long Flexible Supply Stop Hoses



equip Foodservice Accessories
2 Saddleback Cove, P.O. Box 1088
Travelers Rest, South Carolina 29690
Phone: 800.891.4808 Fax: 800.868.0084

| ITEM NO. | SALES NO. | DESCRIPTION |
|----------|------------|---|
| 1 | 015425-45 | Vandal Resistant Key |
| 2 | B-0199-06 | 2.2 GPM VR Aerator w/ Key |
| 3 | 017421-45 | Serrated Lock Washer |
| 4 | 5EF-0003 | 24" Sensor Cable |
| 5 | 015345-20 | 3/8-18 NPSM Low Profile Elbow |
| 6 | 016325-45 | Inlet Hose, Faucet, 1/2" NPSM-F x 3/8" NPSM-F |
| 7 | 5EF-0001 | equip Sensor Faucet - Control Module |
| 8 | 5EF-0002 | equip AC Transformer, 100-240 VAC |
| 9 | 5EF-0005 | Supply Hose, 3/8" Compression x 1/2" NPSM |
| 10 | 5EF-0006 | Mechanical Mixing Valve |
| 11 | 5EF-FILTER | Replacement Filter |



| | | | | | |
|---------------------------|------------------|--------------|--------------|----------------|-----------------|
| Model Number 5EF-1D-WG | Date 03/18/13 | Scale NTS | Drawn DHL | Checked DMH | Approved JHB |
|---------------------------|------------------|--------------|--------------|----------------|-----------------|



Product Specifications:

Electronic Faucet: Wall Mount Swivel Gooseneck w/ VR Aerator, AC-DC Control Module, Temperature Control Mixing Valve w/ Integral Check Valves & 18" Long Flexible Supply Stop Hoses

equip Foodservice Accessories
 2 Saddleback Cove, P.O. Box 1088
 Travelers Rest, South Carolina 29690
 Phone: 800.891.4808 Fax: 800.868.0084