



**ADA Compliant**

*This Space for Architect/Engineer Approval*

Job Name \_\_\_\_\_ Date \_\_\_\_\_

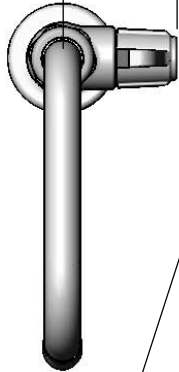
Model Specified \_\_\_\_\_ Quantity \_\_\_\_\_

Customer/Wholesaler \_\_\_\_\_

Contractor \_\_\_\_\_

Architect/Engineer \_\_\_\_\_

2 3/8"  
[60mm]

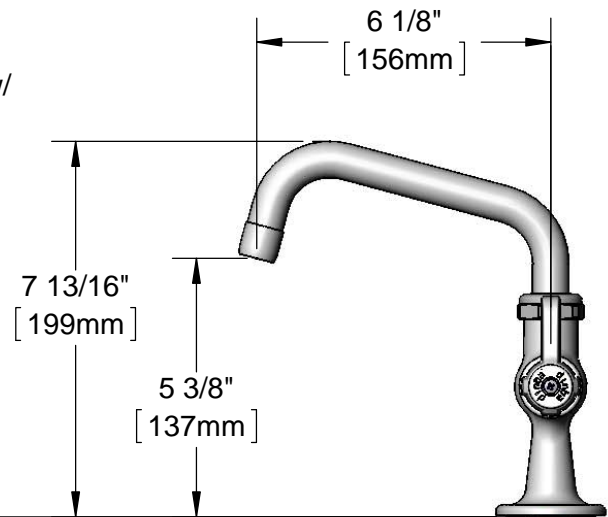


5SP-06  
6" equip Swing Nozzle  
w/ Laminar Flow Device.  
Rigid Conversion Requires  
014200-45 Lock Washer  
(Included)



Ceramic Cartridge &  
equip Lever Handle w/  
Color Coded Screw

1 5/8"  
[41mm]  
Maximum  
Thickness



6 1/8"  
[156mm]

7 13/16"  
[199mm]

5 3/8"  
[137mm]

Mounting Surface

2 7/16"  
[62mm]

Ø 2 5/16"  
[58mm]

1/2" NPSM  
Male Inlet

Rough-In Requirement:  
Ø 1" [25mm] Mounting Hole

Model Number 5F-1SLX06	Date 06/05/12	Scale 1:4	Drawn DHL	Checked DMH	Approved JHB
---------------------------	------------------	--------------	--------------	----------------	-----------------

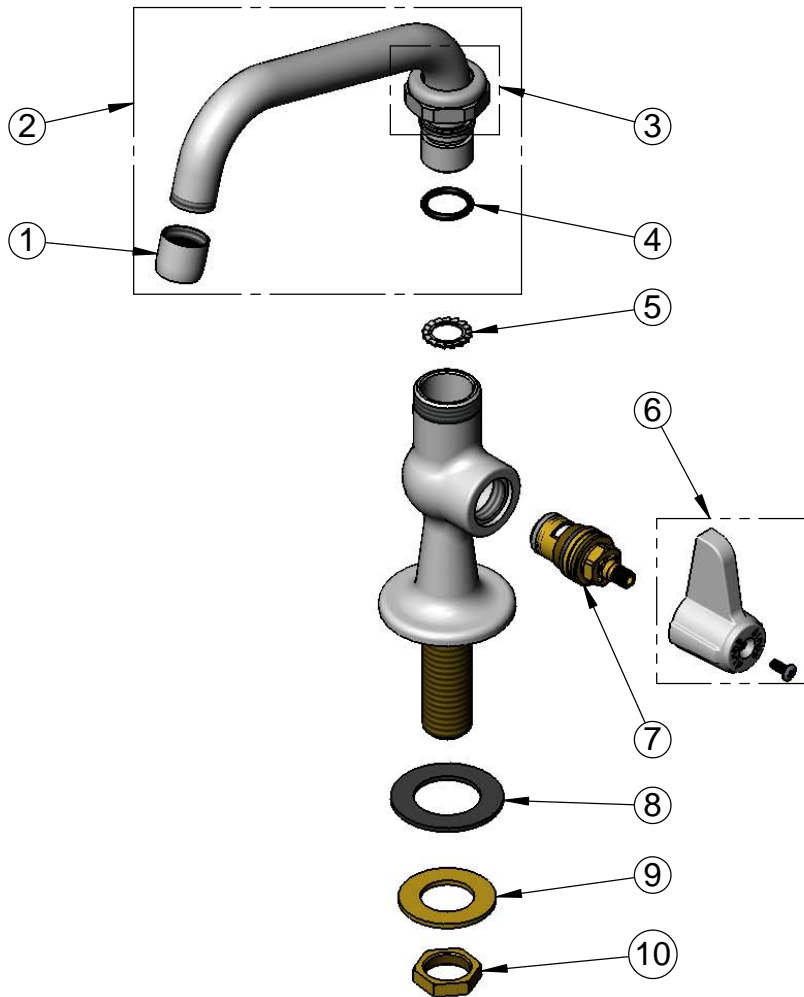


Product Specifications:

**Single Supply Deck Mount Faucet w/ Ceramic Cartridge,  
equip Lever Handle, 6" equip Swing Nozzle  
& 1/2" NPSM Male Inlet**

equip Foodservice Accessories  
2 Saddleback Cove, P.O. Box 1088  
Travelers Rest, South Carolina 29690  
Phone: 800.891.4808 Fax: 800.868.0084

ITEM NO.	SALES NO.	DESCRIPTION
1	014250-45	Laminar Flow Device
2	5SP-06	6" equip Swing Nozzle
3	013839-25	equip Swivel Nut
4	013848-45	equip Swivel Piece O-ring
5	014200-45	Star Washer, Anti-Rotation
6	5-HDL-L	equip Lever Handle w/ Color Coded Screw
7	013787-45	equip Ceramic Cartridge, RTC
8	014612-45	Deck Seal
9	000999-45	Brass Lock Washer
10	002954-45	Shank Lock Nut



Model Number 5F-1SLX06	Date 06/05/12	Scale NTS	Drawn DHL	Checked DMH	Approved JHB
---------------------------	------------------	--------------	--------------	----------------	-----------------



Product Specifications:

**Single Supply Deck Mount Faucet w/ Ceramic Cartridge,  
equip Lever Handle, 6 " equip Swing Nozzle  
& 1/2" NPSM Male Inlet**

equip Foodservice Accessories  
2 Saddleback Cove, P.O. Box 1088  
Travelers Rest, South Carolina 29690  
Phone: 800.891.4808 Fax: 800.868.0084