



**ADA Compliant**

*This Space for Architect/Engineer Approval*

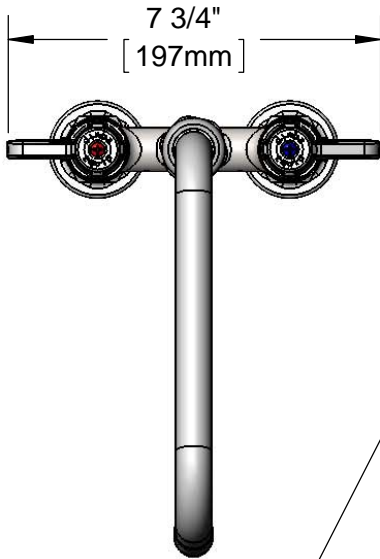
Job Name \_\_\_\_\_ Date \_\_\_\_\_

Model Specified \_\_\_\_\_ Quantity \_\_\_\_\_

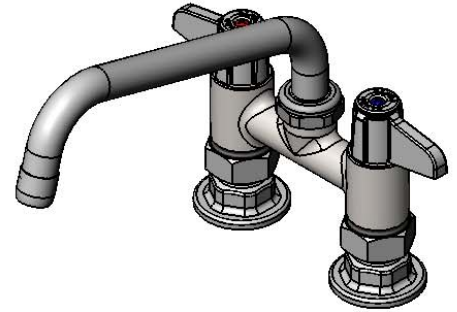
Customer/Wholesaler \_\_\_\_\_

Contractor \_\_\_\_\_

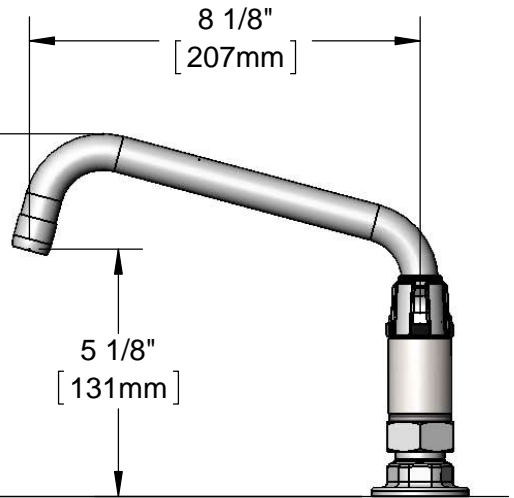
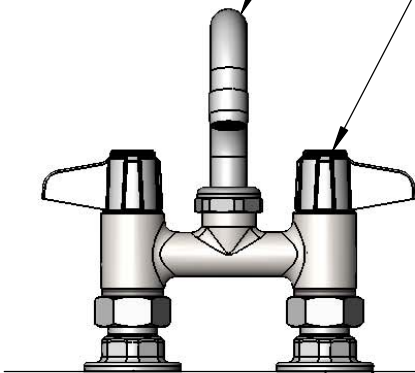
Architect/Engineer \_\_\_\_\_



5SP-08  
8" equip Swing Nozzle  
w/ Laminar Flow Device.  
Rigid Conversion Requires  
014200-45 Lock Washer  
(Sold Separately)



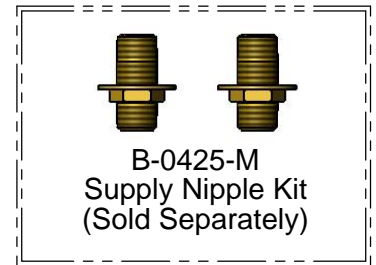
Ceramic Cartridges &  
equip Lever Handles  
w/ Color Coded Screws



Mounting Surface

4" [102mm]  
Adjustable from  
3 3/4" to 4 1/4"  
[95mm to 108mm]

Ø 2" [51mm]  
Flanges w/  
1/2" NPT  
Female Inlets



B-0425-M  
Supply Nipple Kit  
(Sold Separately)

Model Number <b>5F-4DLX08</b>	Date <b>06/05/12</b>	Scale <b>1:4</b>	Drawn <b>DHL</b>	Checked <b>DMH</b>	Approved <b>JHB</b>
----------------------------------	-------------------------	---------------------	---------------------	-----------------------	------------------------

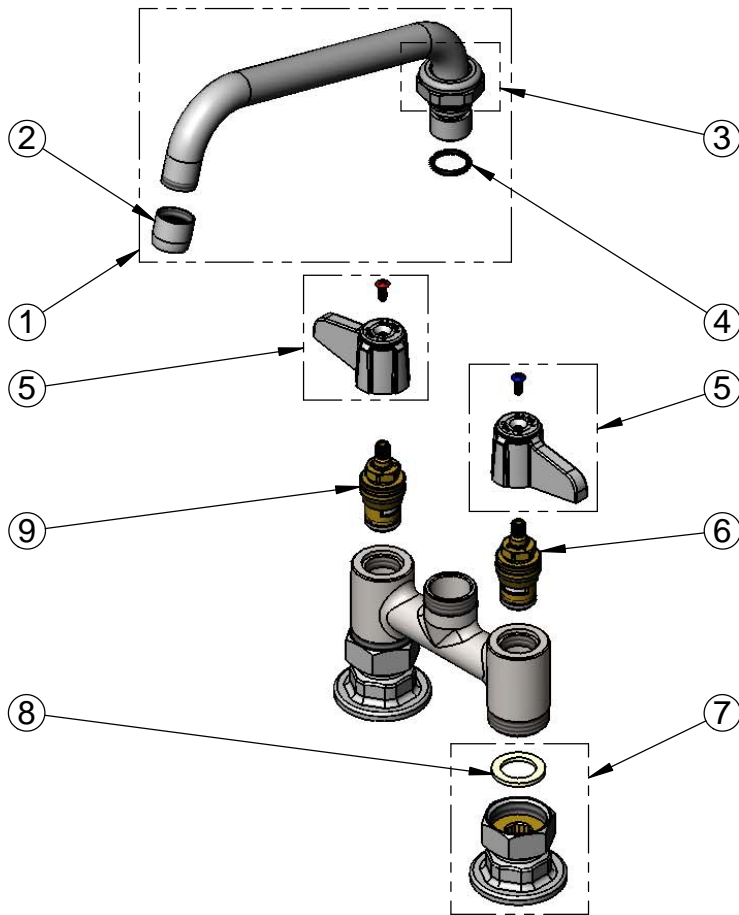
Product Specifications:

**4" Deck Mount Mixing Faucet w/ Ceramic Cartridges,  
equip Lever Handles, 8" equip Swing Nozzle  
& 1/2" NPT Female Inlets**



equip Foodservice Accessories  
2 Saddleback Cove, P.O. Box 1088  
Travelers Rest, South Carolina 29690  
Phone: 800.891.4808 Fax: 800.868.0084

ITEM NO.	SALES NO.	DESCRIPTION
1	5SP-08	8" equip Swing Nozzle
2	014250-45	Laminar Flow Device
3	013839-25	equip Swivel Nut
4	013848-45	equip Swivel Piece O-ring
5	5-HDL-L	equip Lever Handle w/ Color Coded Screws
6	013788-45	equip Ceramic Cartridge, LTC
7	00AA	1/2" NPT Inlet Flange
8	001019-45	Coupling Nut Washer
9	013787-45	equip Ceramic Cartridge, RTC



Model Number 5F-4DLX08	Date 06/05/12	Scale NTS	Drawn DHL	Checked DMH	Approved JHB
---------------------------	------------------	--------------	--------------	----------------	-----------------



Product Specifications:

**4" Deck Mount Mixing Faucet w/ Ceramic Cartridges,  
equip Lever Handles, 8" equip Swing Nozzle  
& 1/2" NPT Female Inlets**

equip Foodservice Accessories  
2 Saddleback Cove, P.O. Box 1088  
Travelers Rest, South Carolina 29690  
Phone: 800.891.4808 Fax: 800.868.0084