

This Space for Architect/Engineer Approval

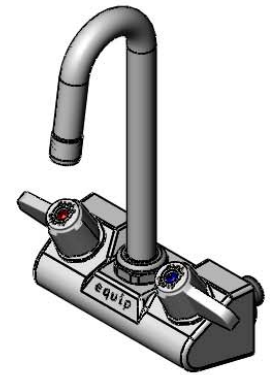
Job Name _____ Date _____

Model Specified _____ Quantity _____

Customer/Wholesaler _____

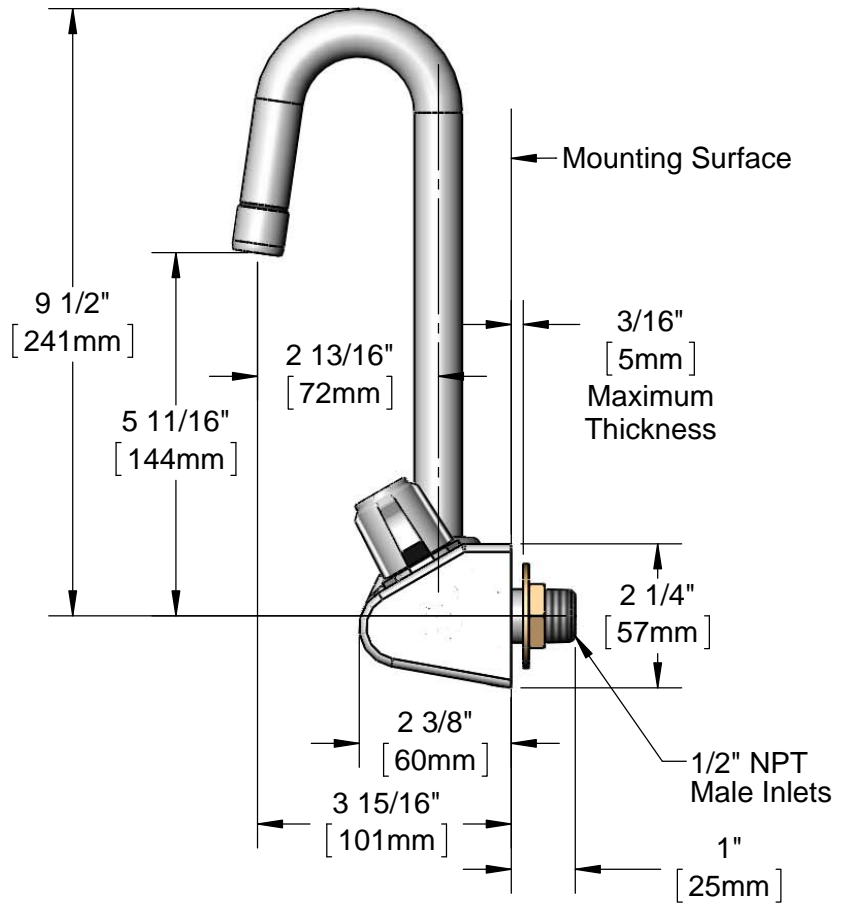
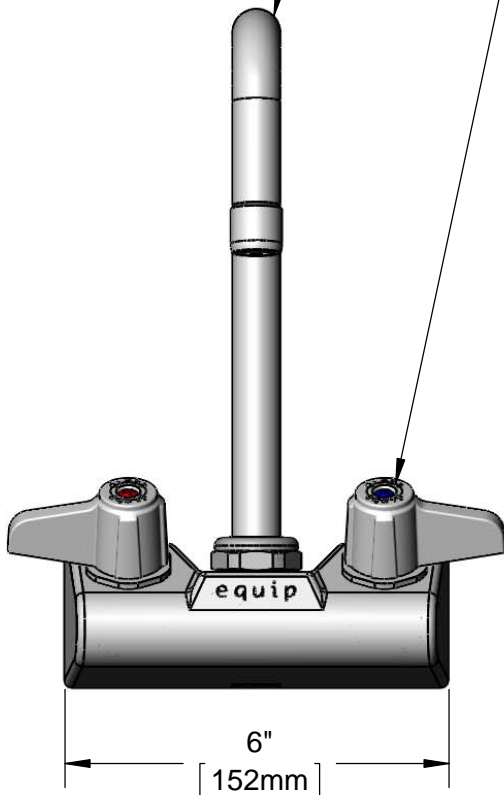
Contractor _____

Architect/Engineer _____



5SP-03A
equip 3" Swivel Gooseneck
w/ 2.2 GPM Aerator.
Rigid Conversion Requires
014200-45 Lock Washer
(Sold Separately)

Ceramic Cartridges &
Lever Handles w/ Color
Coded Screws



Rough-In Requirement:
(2) Ø 1" [25mm] Mounting Holes

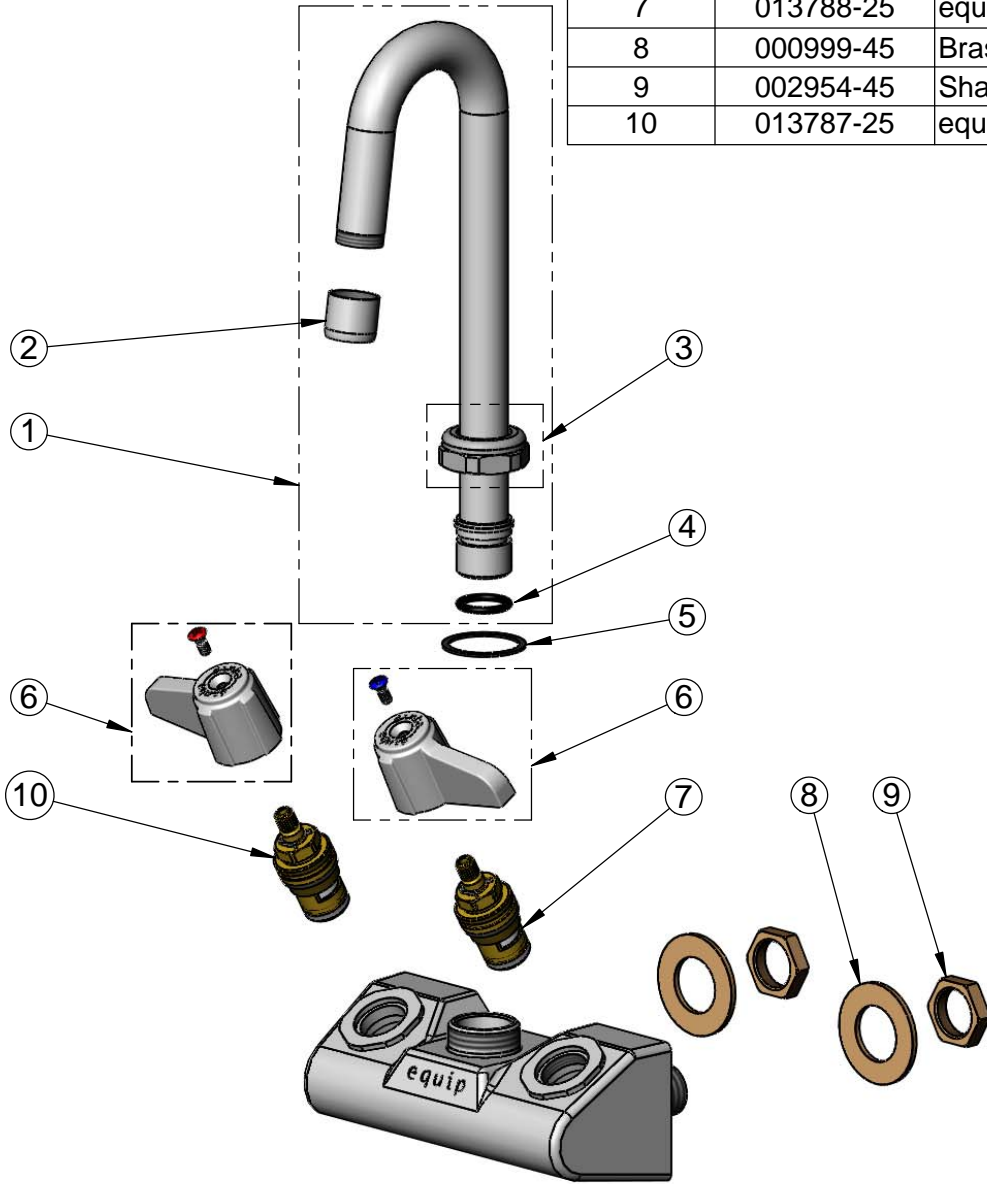
Model Number 5F-4WLX03	Date 06/05/12	Scale 1:3	Drawn DHL	Checked DMH	Approved JHB
---------------------------	------------------	--------------	--------------	----------------	-----------------



Product Specifications:
4" Wall Mount Mixing Faucet w/ Ceramic Cartridges, equip
Lever Handles, equip 3" Swivel Gooseneck w/ 2.2 GPM Aerator
& 1/2" NPT Male Inlets

equip Foodservice Accessories
2 Saddleback Cove, P.O. Box 1088
Travelers Rest, South Carolina 29690
Phone: 800.891.4808 Fax: 800.868.0084

ITEM NO.	SALES NO.	DESCRIPTION
1	5SP-03A	equip 3" Swivel Gooseneck
2	013838-45	Aerator, 3/4-27 Female, 2.2 GPM
3	013839-25	equip Swivel Nut
4	013848-45	equip Swivel Piece O-ring
5	017587-45	Swivel Nut Seal
6	5-HDL-L	equip Lever Handle w/ Color Coded Screws
7	013788-25	equip Ceramic Cartridge, LTC
8	000999-45	Brass Lock Washer
9	002954-45	Shank Lock Nut
10	013787-25	equip Ceramic Cartridge, RTC



Model Number 5F-4WLX03	Date 06/05/12	Scale NTS	Drawn DHL	Checked DMH	Approved JHB
---------------------------	------------------	--------------	--------------	----------------	-----------------



Product Specifications:
 4" Wall Mount Mixing Faucet w/ Ceramic Cartridges, equip
 Lever Handles, equip 3" Swivel Gooseneck w/ 2.2 GPM Aerator
 & 1/2" NPT Male Inlets

equip Foodservice Accessories
 2 Saddleback Cove, P.O. Box 1088
 Travelers Rest, South Carolina 29690
 Phone: 800.891.4808 Fax: 800.868.0084