



**ADA Compliant**

*This Space for Architect/Engineer Approval*

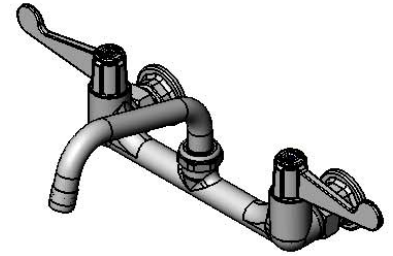
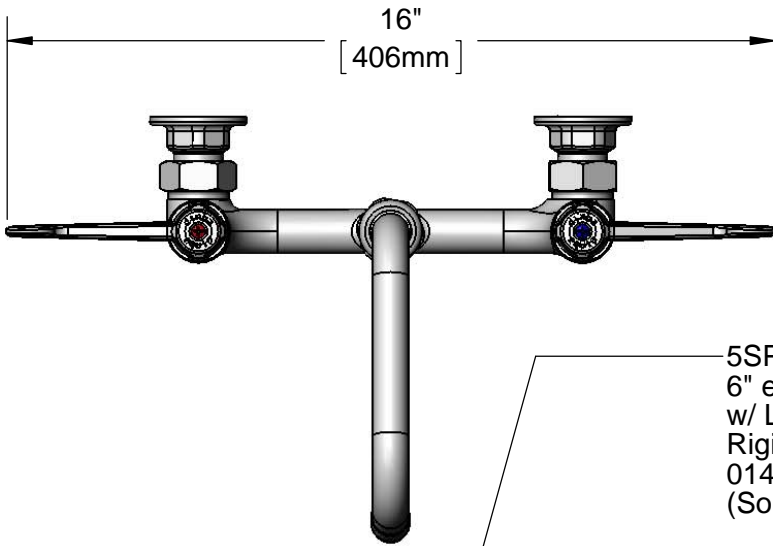
Job Name \_\_\_\_\_ Date \_\_\_\_\_

Model Specified \_\_\_\_\_ Quantity \_\_\_\_\_

Customer/Wholesaler \_\_\_\_\_

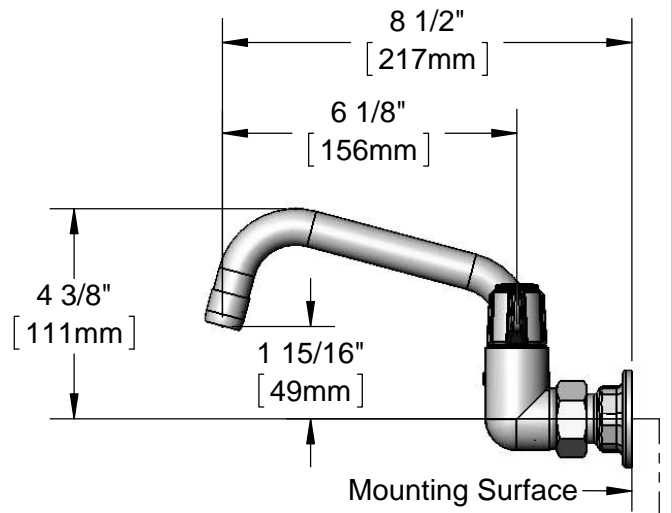
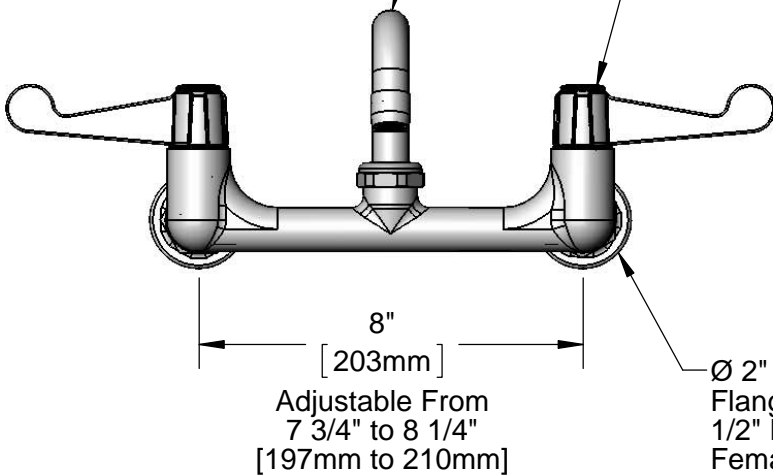
Contractor \_\_\_\_\_

Architect/Engineer \_\_\_\_\_



5SP-06  
6" equip Swing Nozzle  
w/ Laminar Flow Device.  
Rigid Conversion Requires  
014200-45 Lock Washer  
(Sold Separately)

Ceramic Cartridges &  
equip 4" Wrist Action Handles  
w/ Color Coded Screws



Ø 2" [51mm]  
Flanges w/  
1/2" NPT  
Female Inlets

Mounting Surface



Rough-In Requirement:  
(2) Ø 1" [25mm] Mounting Holes

Model Number  
5F-8WWS06

Date  
06/05/12

Scale  
1:4

Drawn  
DHL

Checked  
DMH

Approved  
JHB

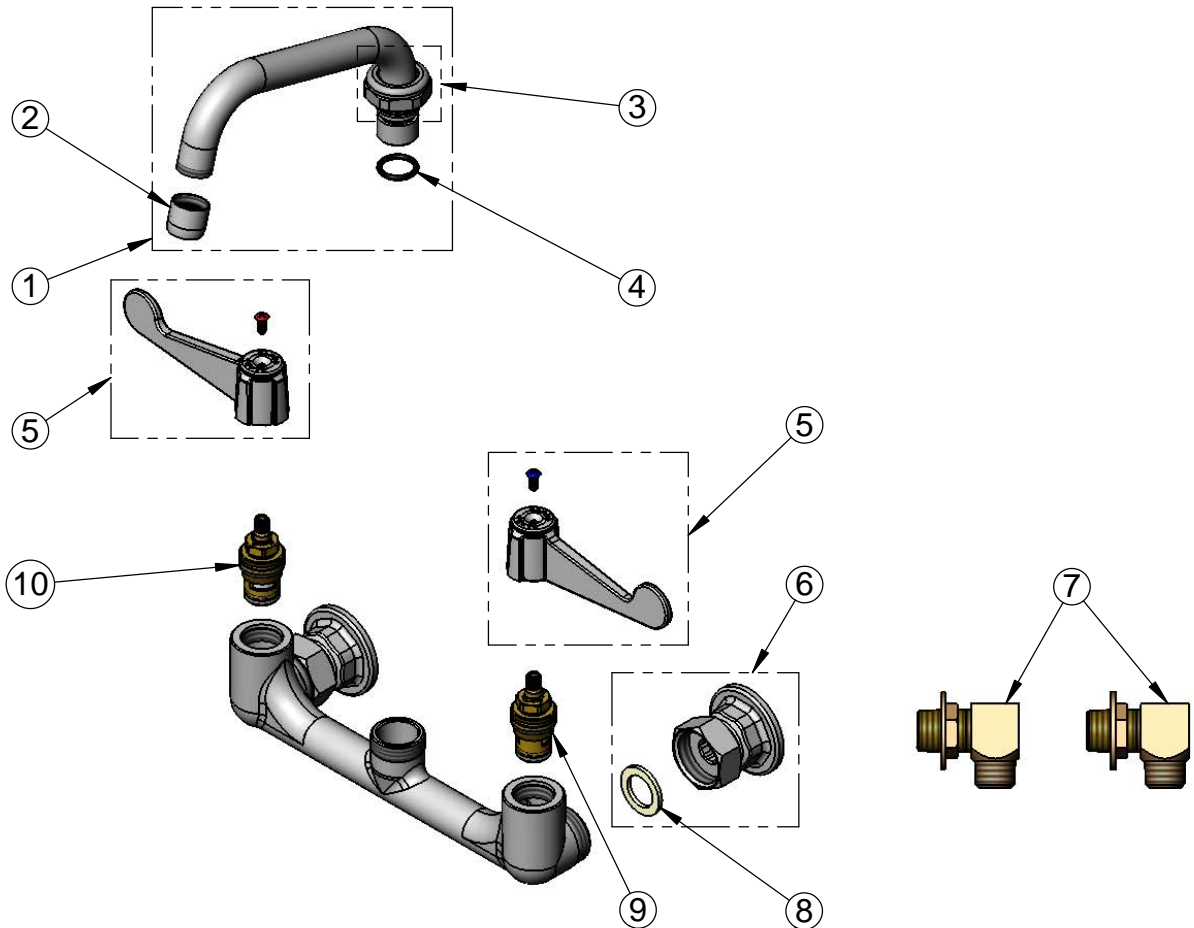


Product Specifications:

8" Center Wall Mount Mixing Faucet w/ Ceramic Cartridges,  
equip 4" Wrist Action Handles, 6" equip Swing Nozzle  
& 1/2" NPT Supply Elbow Kit

equip Foodservice Accessories  
2 Saddleback Cove, P.O. Box 1088  
Travelers Rest, South Carolina 29690  
Phone: 800.891.4808 Fax: 800.868.0084

ITEM NO.	SALES NO.	DESCRIPTION
1	5SP-06	6" equip Swing Nozzle
2	014250-40	Laminar Flow Device
3	013839-25	equip Swivel Nut
4	013848-45	equip Swivel Piece O-ring
5	5-HDL-W	equip Wrist Action Handle w/ Color Coded Screws
6	00AA	Flange Assembly
7	B-0230-K	1/2" NPT Supply Inlet Kit
8	001019-45	Coupling Nut Washer
9	013788-45	equip Ceramic Cartridge, LTC
10	013787-45	equip Ceramic Cartridge, RTC



Model Number 5F-8WWS06	Date 06/05/12	Scale NTS	Drawn DHL	Checked DMH	Approved JHB
---------------------------	------------------	--------------	--------------	----------------	-----------------



Product Specifications:  
8" Center Wall Mount Mixing Faucet w/ Ceramic Cartridges,  
equip 4" Wrist Action Handles, 6" equip Swing Nozzle  
& 1/2" NPT Supply Elbow Kit

equip Foodservice Accessories  
2 Saddleback Cove, P.O. Box 1088  
Travelers Rest, South Carolina 29690  
Phone: 800.891.4808 Fax: 800.868.0084