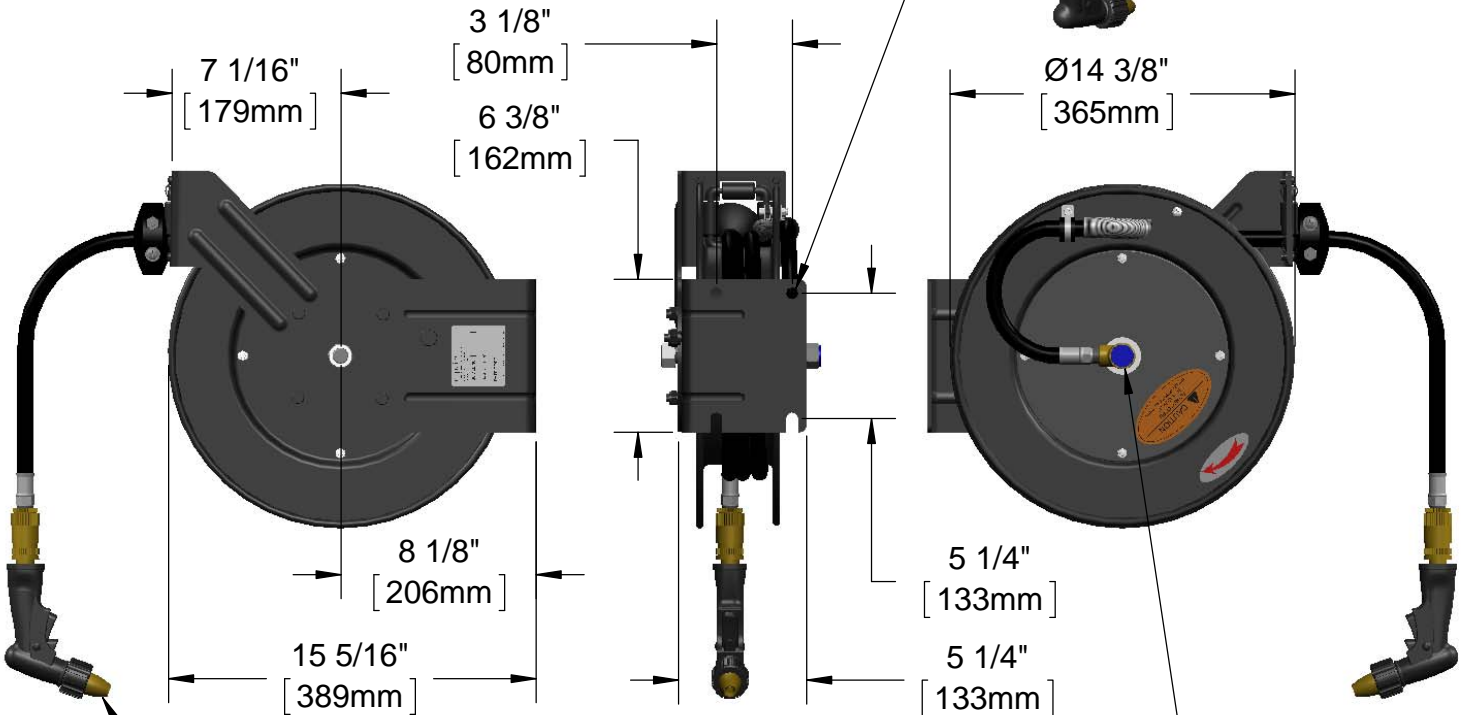
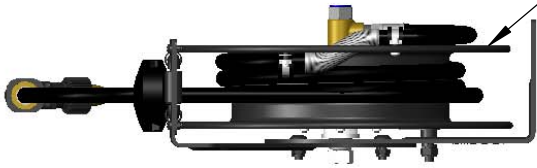


This Space for Architect/Engineer Approval

Job Name _____ Date _____
 Model Specified _____ Quantity _____
 Customer/Wholesaler _____
 Contractor _____
 Architect/Engineer _____

Black Powder Coated Steel w/ Ø 3/8" x 35' Hose

Ø1/2" [13mm] Mounting Holes & Slots



5WG-1000-01 Water Gun w/ Quick Disconnect & 3/8" & 1/2" Adapters

Stainless Steel Shaft & Brass Swivel w/ 3/8" NPT Female Inlet (Left Side of Reel)

Hose Ratings

Pressure: 300 PSI Max.
 Temperature: 0° - 176°F

Model Number 5HR-232-09	Date 03/02/12	Scale 1:8	Drawn KJG	Checked DHL	Approved JHB
----------------------------	------------------	--------------	--------------	----------------	-----------------

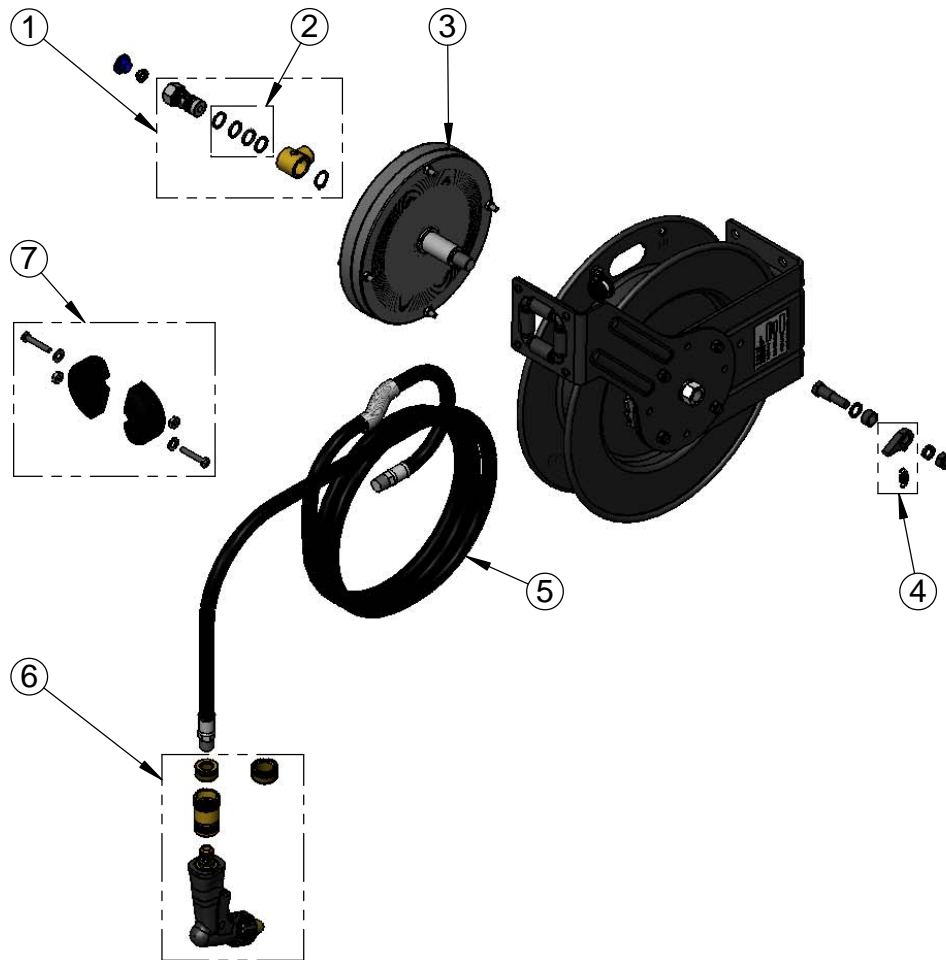
Product Specifications:

Black Powder Coated Steel, Open Hose Reel w/ Ø 3/8" x 35' Hose & Water Gun w/ Adapters



equip Foodservice Accessories
 2 Saddleback Cove, P.O. Box 1088
 Travelers Rest, South Carolina 29690
 Phone: 800.891.4808 Fax: 800.868.0084

ITEM NO.	SALES NO.	DESCRIPTION
1	5HR-2SA	Complete 3/8" Swivel Assembly
2	G014512-45	Seal Kit
3	G016682-45	Spring Assembly
4	014940-45	Ratchet Repair Kit
5	5HR-2HSE-35	Ø 3/8" x 35' Hose
6	5WG-1000-01	equip Water Gun w/ QD and 1/2" & 3/8" Adapter
7	014949-45	Hose Stop Repair Kit



Model Number 5HR-232-09	Date 03/02/12	Scale NTS	Drawn KJG	Checked DHL	Approved JHB
----------------------------	------------------	--------------	--------------	----------------	-----------------



Product Specifications:
 Black Powder Coated Steel, Open Hose Reel
 w/ Ø 3/8" x 35' Hose & Water Gun w/ Adapters

equip Foodservice Accessories
 2 Saddleback Cove, P.O. Box 1088
 Travelers Rest, South Carolina 29690
 Phone: 800.891.4808 Fax: 800.868.0084