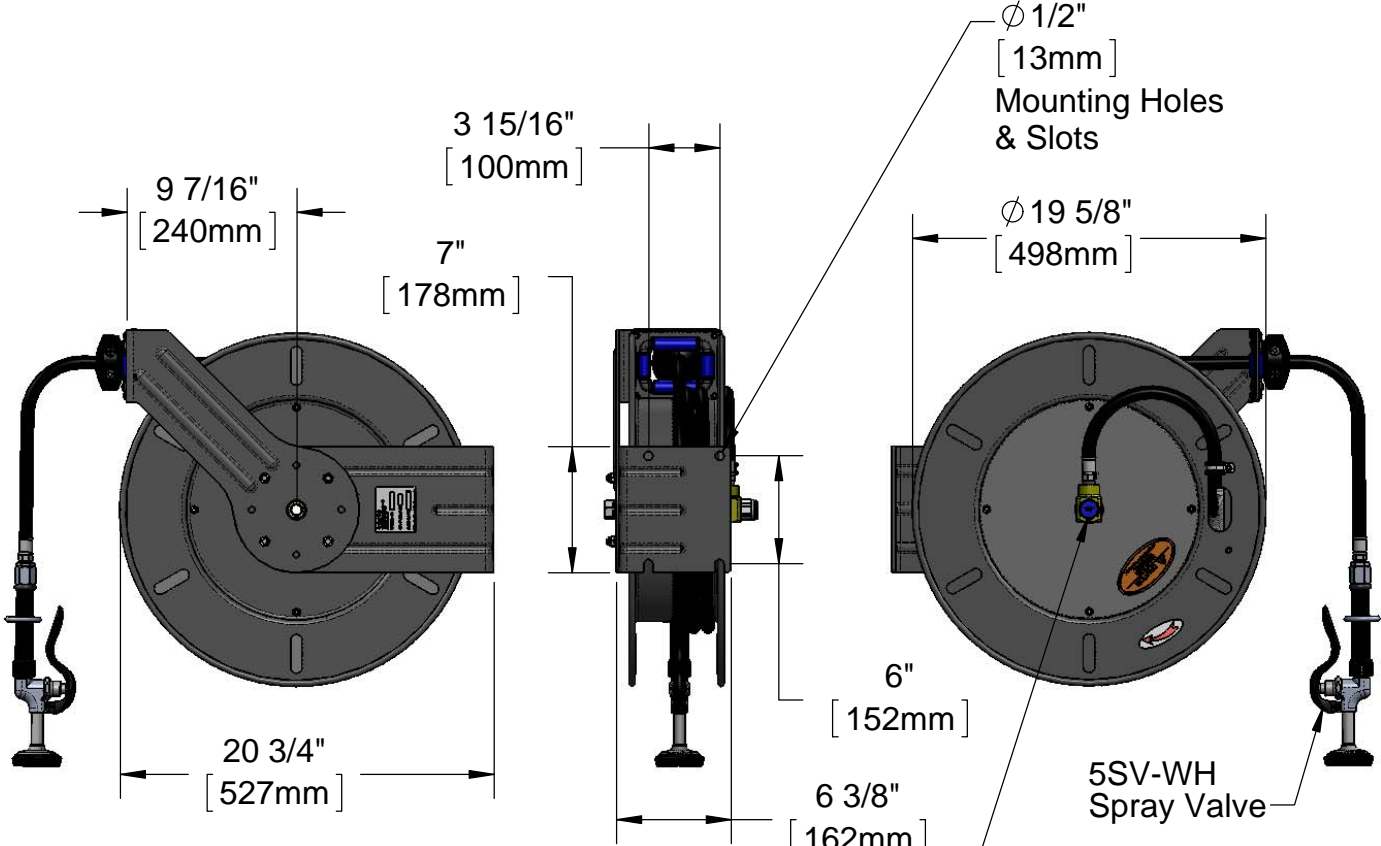
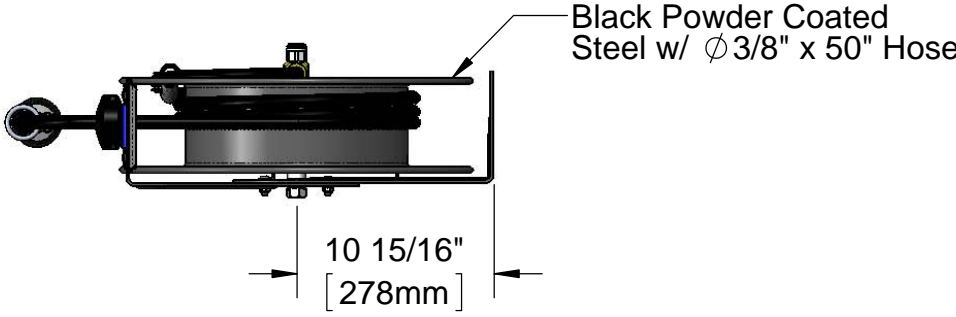
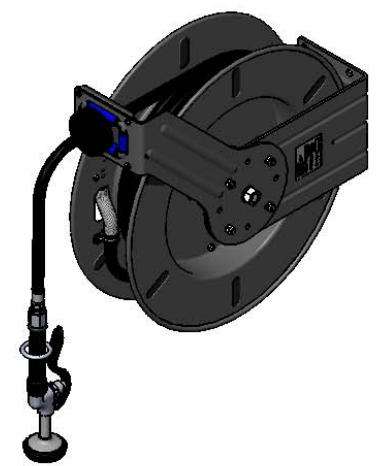


This Space for Architect/Engineer Approval

Job Name _____ Date _____
 Model Specified _____ Quantity _____
 Customer/Wholesaler _____
 Contractor _____
 Architect/Engineer _____



Hose Ratings

Pressure: 300 PSI Max.
 Temperature: 0° - 176°F

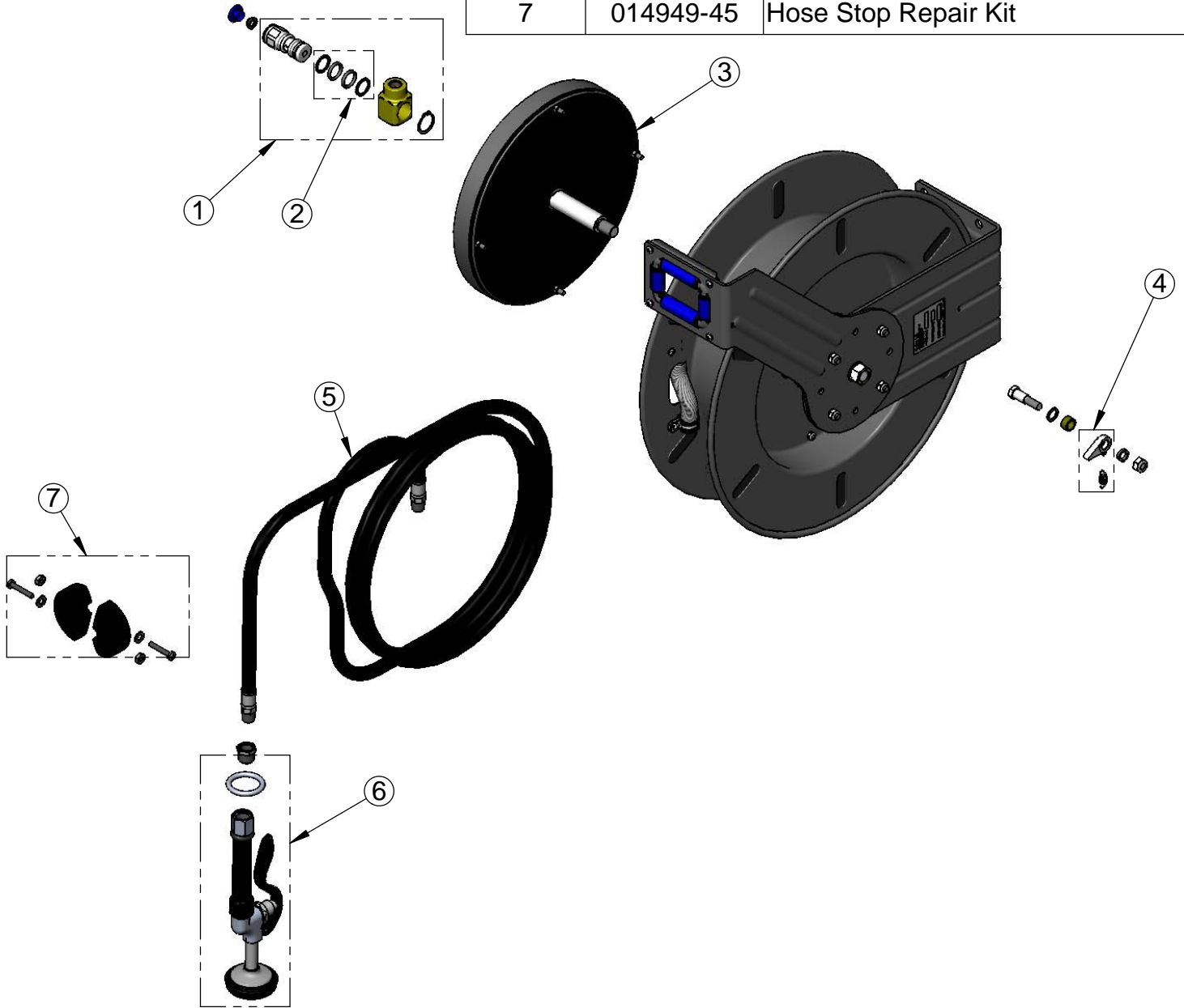
Model Number 5HR-242-01	Date 03/02/12	Scale 1:32	Drawn KJG	Checked DHL	Approved JHB
----------------------------	------------------	---------------	--------------	----------------	-----------------



Product Specifications:
 Black Powder Coated Steel, Open Hose Reel w/ 3/8" x 50' Hose & Spray Valve

equip Foodservice Accessories
 2 Saddleback Cove, P.O. Box 1088
 Travelers Rest, South Carolina 29690
 Phone: 800.891.4808 Fax: 800.868.0084

ITEM NO.	SALES NO.	DESCRIPTION
1	5HR-2SA	Complete 3/8" Swivel Assembly
2	G014512-45	Seal Kit
3	G016684-45	Spring Assembly
4	014940-45	Ratchet Repair Kit
5	5HR-2HSE-50	Ø 3/8" x 50" Hose
6	5SV-WH	Hose Reel Spray Valve
7	014949-45	Hose Stop Repair Kit



Model Number 5HR-242-01	Date 03/02/12	Scale NTS	Drawn KJG	Checked DHL	Approved JHB
----------------------------	------------------	--------------	--------------	----------------	-----------------



Product Specifications:
 Black Powder Coated Steel, Open Hose Reel
 w/ Ø 3/8" x 50' Hose

equip Foodservice Accessories
 2 Saddleback Cove, P.O. Box 1088
 Travelers Rest, South Carolina 29690
 Phone: 800.891.4808 Fax: 800.868.0084