

This Space For Architect/Engineer Approval

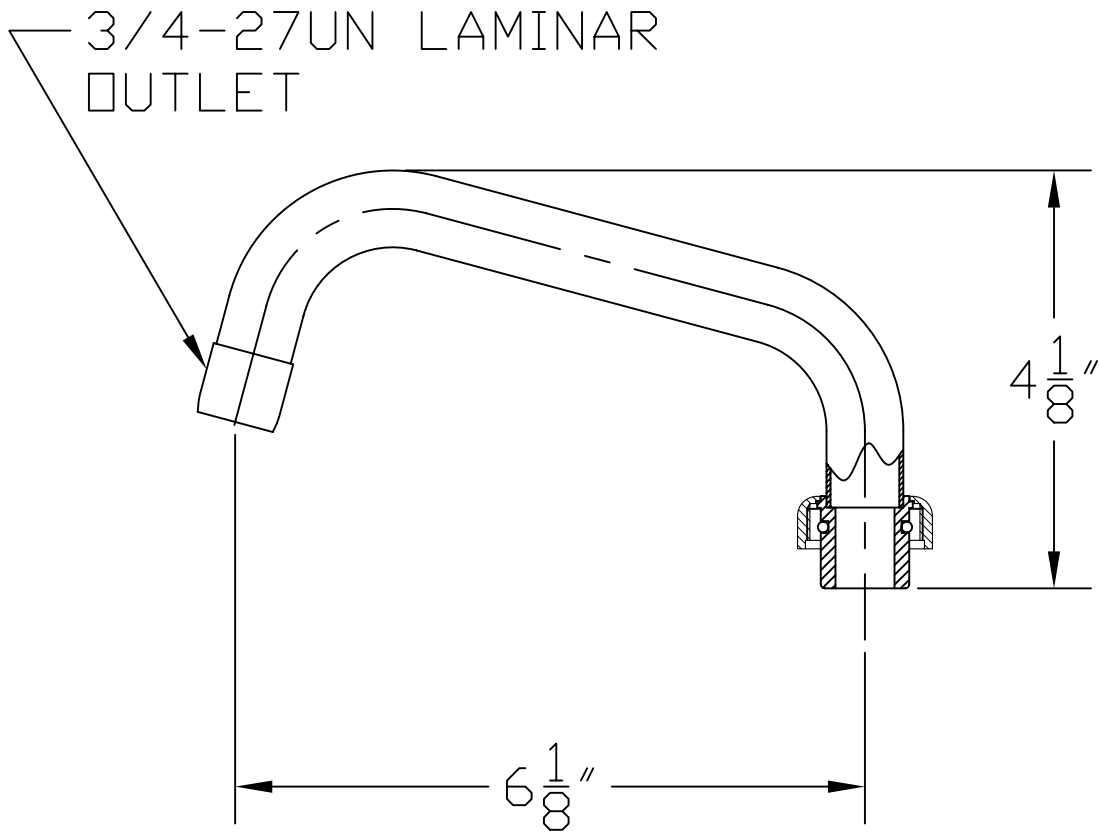
Job Name \_\_\_\_\_ Date \_\_\_\_\_

Model Specified \_\_\_\_\_ Quantity \_\_\_\_\_

Customer/Wholesaler \_\_\_\_\_

Contractor \_\_\_\_\_

Architect/Engineer \_\_\_\_\_



Note:  
Conversion to Rigid Requires  
014200-45 Lock Washer  
(Available Separately)

MODEL NUMBER 5SP-06

DATE 3/12/10

SCALE 1:4

DRAWN DMH

CHECKED GEF

APPROVED JHB



DESCRIPTION

6" SWING NOZZLE, EQUIP

equip Foodservice Accessories  
P.O. BOX 1088, 2 SADDLEBACK COVE  
TRAVELERS REST, SOUTH CAROLINA 29690  
PHONE: 800.891.4808 FAX: 800.868.0084