



T&S BRASS AND BRONZE WORKS, INC.
 2 Saddleback Cove / P.O. Box 1088
 Travelers Rest, SC 29690

Model No.
B-0068-R

Item No.

Travelers Rest, SC: 800-476-4103 • Simi Valley, CA: 800-423-0150 • Fax: 864-834-3518 • www.tsbrass.com

This Space for Architect/Engineer Approval

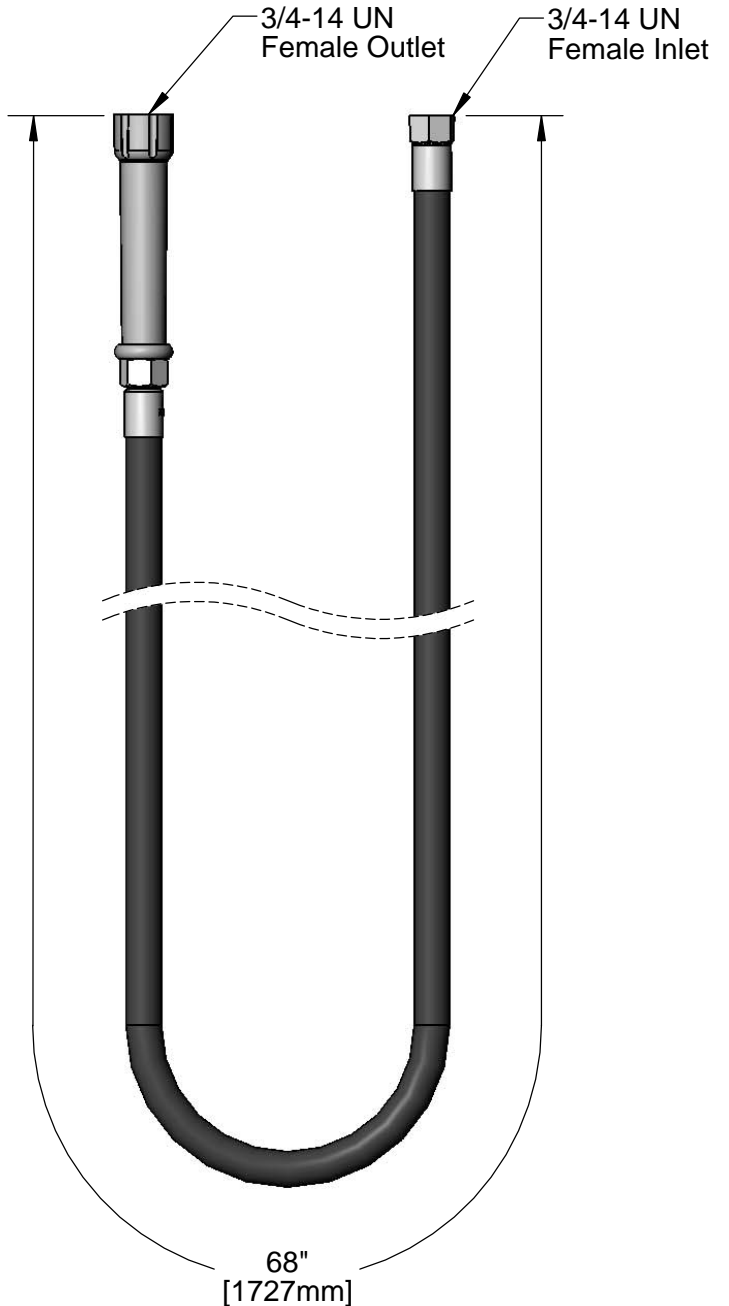
Job Name _____ Date _____


Model Specified _____ Quantity _____

Customer/Wholesaler _____

Contractor _____

Architect/Engineer _____




 (2) 010476-45
 Washer
 (Included)

Product Specifications:
 68" Reinforced PVC Hose w/ Gray Grip Handle

Drawn

DHL

Checked

DMH

Approved

JHB

Scale:

1:4

Date:

11/15/12