



T&S BRASS AND BRONZE WORKS, INC.
 2 Saddleback Cove / P.O. Box 1088
 Travelers Rest, SC 29690

Model No.
B-0100

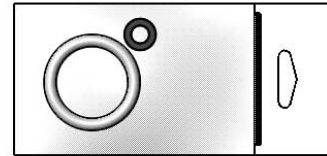
Item No.

Travelers Rest, SC: 800-476-4103 • Simi Valley, CA: 800-423-0150 • Fax: 864-834-3518 • www.tsbrass.com

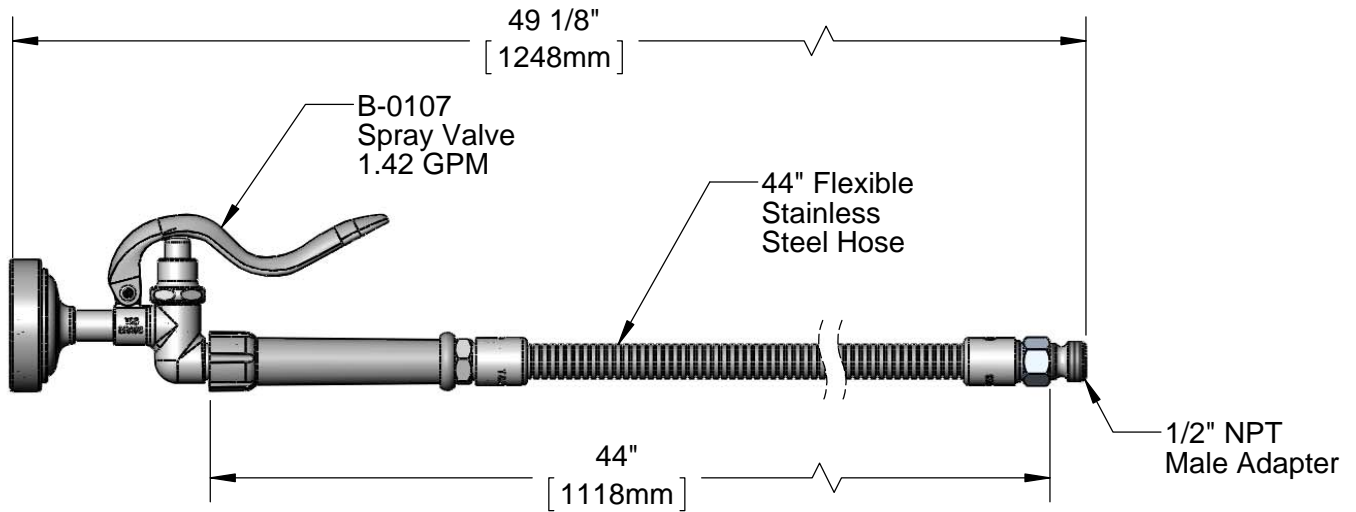
This Space for Architect/Engineer Approval

Job Name _____ Date _____
 Model Specified _____ Quantity _____
 Customer/Wholesaler _____
 Contractor _____
 Architect/Engineer _____

EPAct2005 COMPLIANT



Hold Down Ring
& Washer
(Included)



Product Specifications:
 B-0107 Spray Valve w/ 44" Flexible Stainless Steel Hose & Adapter

Drawn DHL	Checked DMH	Approved JHB
Scale: 1:4		Date: 05/06/13



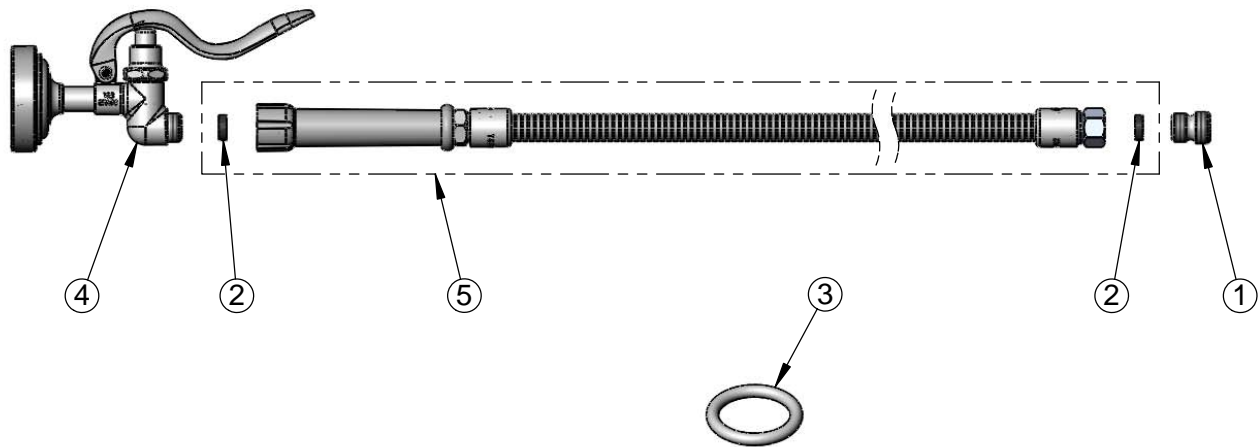
T&S BRASS AND BRONZE WORKS, INC.
 2 Saddleback Cove / P.O. Box 1088
 Travelers Rest, SC 29690

Model No.
B-0100

Item No.

Travelers Rest, SC: 800-476-4103 • Simi Valley, CA: 800-423-0150 • Fax: 864-834-3518 • www.tsbrass.com

ITEM NO.	SALES NO.	DESCRIPTION
1	055A	Adapter, 1/2 NPT Male
2	010476-45	#27 Washer
3	000907-45	Spray Valve Hold Down Ring
4	B-0107	Spray Valve - 1.42 GPM
5	B-0044-H	44" Stainless Steel Flex Hose



Product Specifications:
 B-0107 Spray Valve w/ 44" Flexible Stainless Steel Hose & Adapter

Drawn DHL	Checked DMH	Approved JHB
Scale: NTS		Date: 05/06/13