



T&S BRASS AND BRONZE WORKS, INC.
 2 Saddleback Cove / P.O. Box 1088
 Travelers Rest, SC 29690

Model No.
B-0107-LR

Item No.

Travelers Rest, SC: 800-476-4103 • Simi Valley, CA: 800-423-0150 • Fax: 864-834-3518 • www.tsbrass.com

This Space for Architect/Engineer Approval

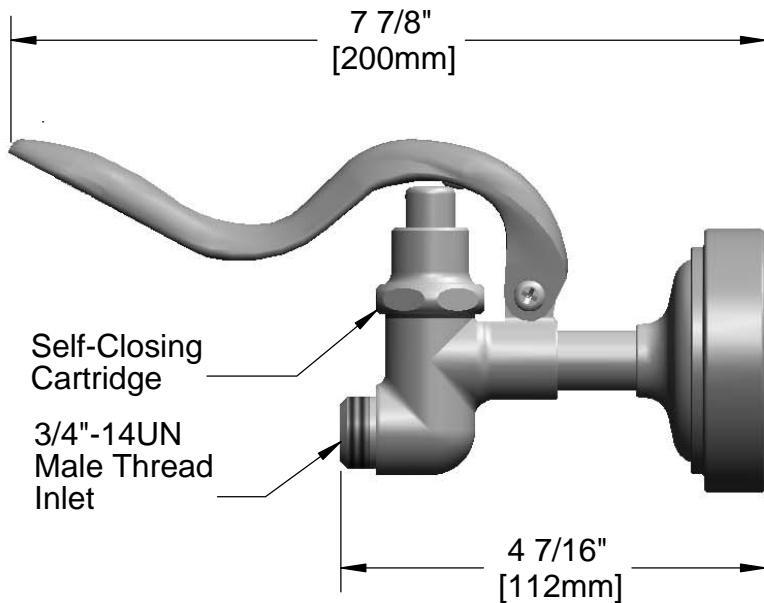
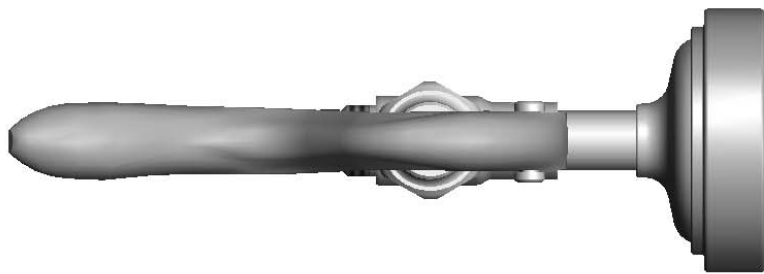
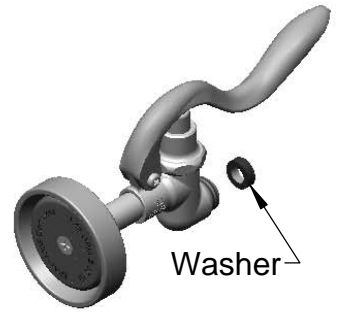
Job Name _____ Date _____

Model Specified _____ Quantity _____

Customer/Wholesaler _____

Contractor _____

Architect/Engineer _____



2 3/4" [70mm]
 Rubber Bumper



EPAct 2005 Compliant

Product Specifications:
 Self-Closing Pre-Rinse Spray Valve w/ Rubber Bumper
 & 1.42 GPM Flow Control Spray Face, Less Hold Down Ring

Drawn DHL	Checked DMH	Approved JHB
Scale: 1:2		Date: 11/02/12



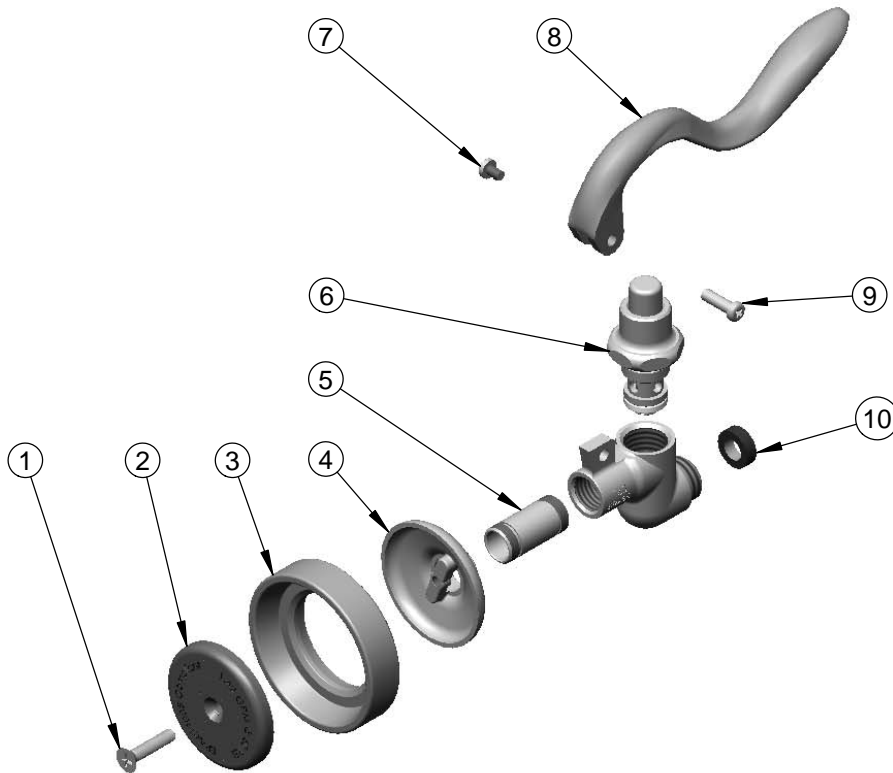
T&S BRASS AND BRONZE WORKS, INC.
 2 Saddleback Cove / P.O. Box 1088
 Travelers Rest, SC 29690

Model No.
B-0107-LR

Item No.

Travelers Rest, SC: 800-476-4103 • Simi Valley, CA: 800-423-0150 • Fax: 864-834-3518 • www.tsbrass.com

ITEM NO.	SALES NO.	DESCRIPTION
1	000913-45	Screw
2	001121-45	Spray Face, B-0107
3	007861-45	Sprayhead Ring, B-0107
4	000019-40	Spray Cup, B-0107
5	000694-40	B-0107 Short Nipple Plated
6	002856-40	Bonnet Asm, Spray Valve
7	003199-45	Handle Screw, Spray Valve
8	001120-45	Spray Valve Handle
9	003198-45	Handle Nut, Spray Valve
10	010476-45	#27 Washer



Product Specifications:
 Self-Closing Pre-Rinse Spray Valve w/ Rubber Bumper
 & 1.42 GPM Flow Control Spray Face, Less Hold Down Ring

Drawn DHL	Checked DMH	Approved JHB
Scale: NTS		Date: 11/02/12