



T&S BRASS AND BRONZE WORKS, INC.

2 Saddleback Cove / P.O. Box 1088
Travelers Rest, SC 29690

Model No.

B-0111

Item No.

Travelers Rest, SC: 800-476-4103 • Simi Valley, CA: 800-423-0150 • Fax: 864-834-3518 • www.tsbrass.com

This Space for Architect/Engineer Approval

Job Name _____ Date _____

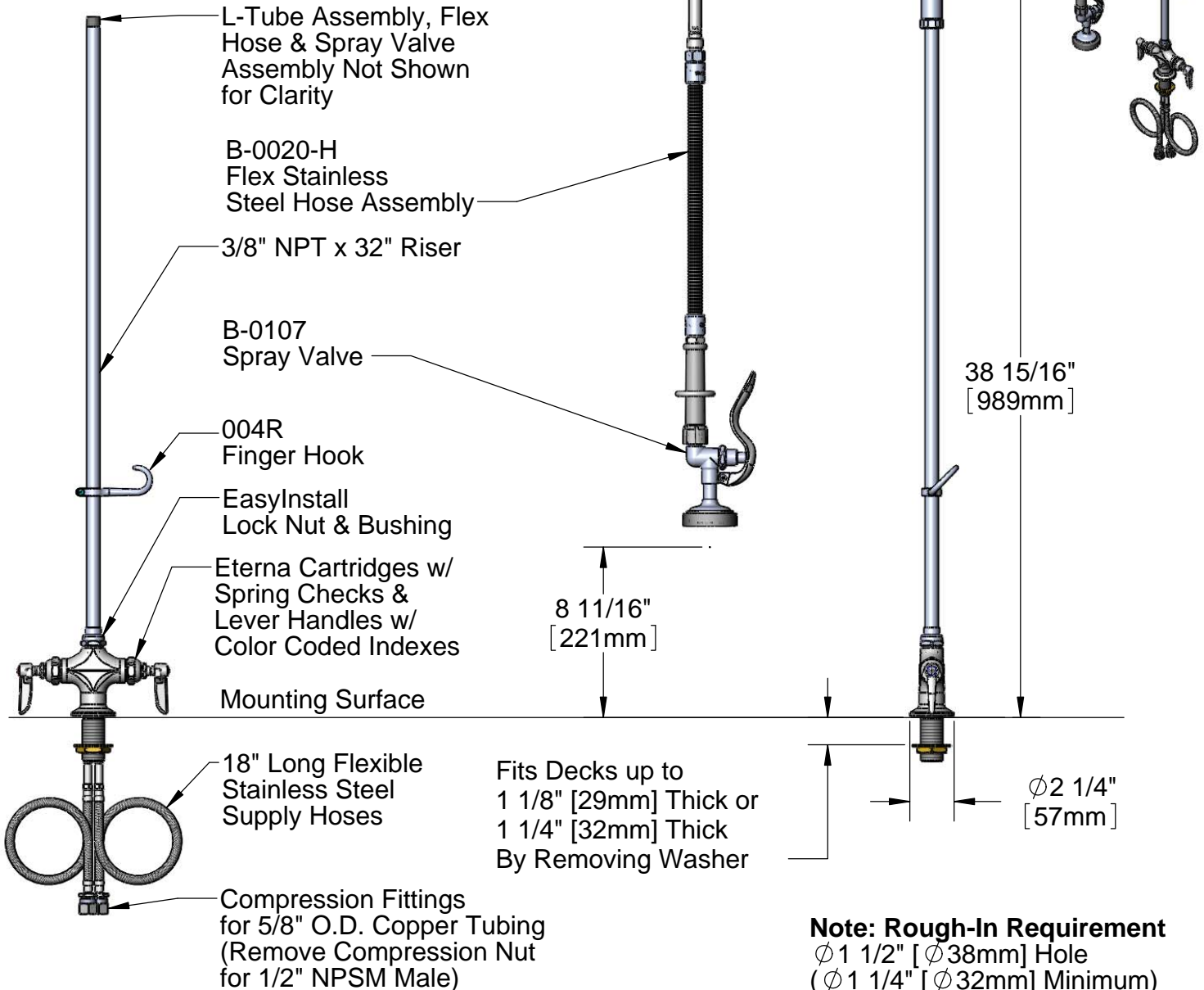
Model Specified _____ Quantity _____

Customer/Wholesaler _____

Contractor _____

Architect/Engineer _____

EPAct 2005 Compliant



Product Specifications:

Pre-Rinse Unit:

Single Deck Mount Base Mixing Faucet w/ Eterna Cartridges w/ Spring Checks, Lever Handles, Flexible Supply Hoses, 32" Riser, 20" Flex Hose, & B-0107 Spray Valve

Drawn

JRM

Checked

DMH

Approved

JHB

Scale:

1:8

Date:

11/23/11



T&S BRASS AND BRONZE WORKS, INC.

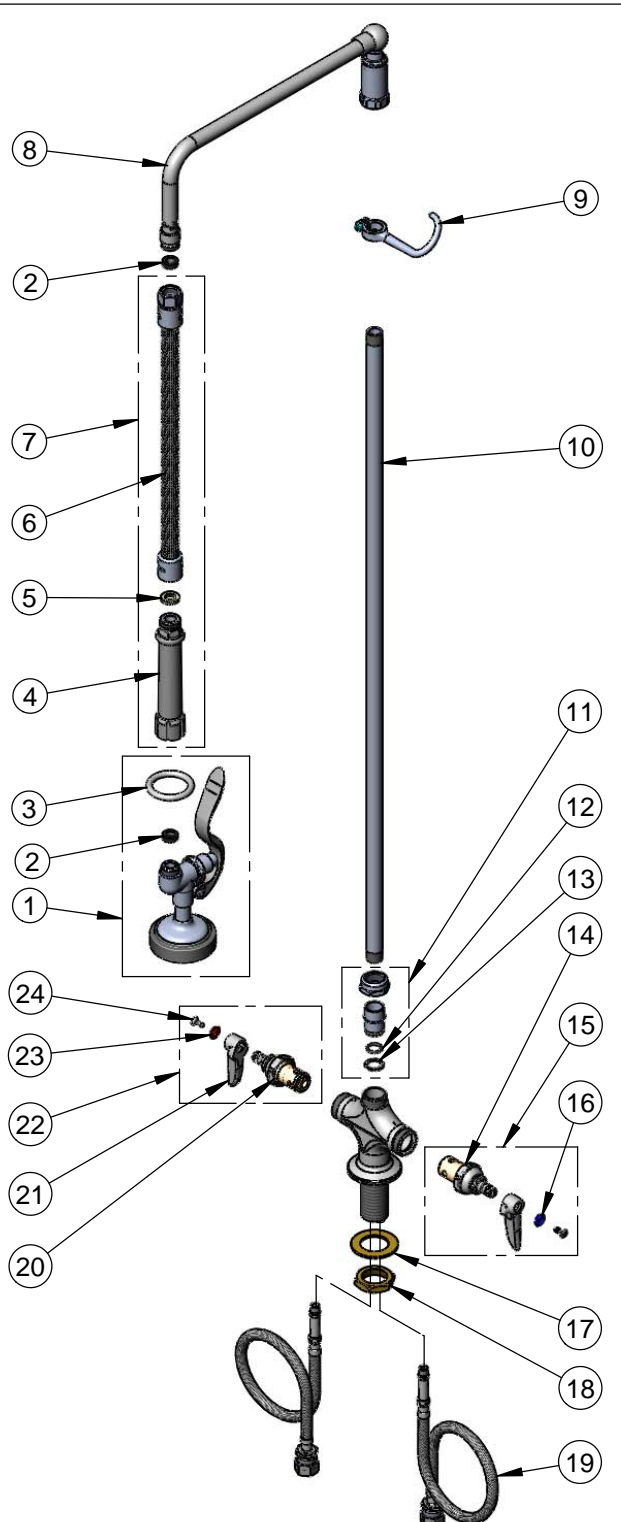
2 Saddleback Cove / P.O. Box 1088
Travelers Rest, SC 29690

Model No.

B-0111

Item No.

Travelers Rest, SC: 800-476-4103 • Simi Valley, CA: 800-423-0150 • Fax: 864-834-3518 • www.tsbrass.com



ITEM NO.	SALES NO.	DESCRIPTION
1	B-0107	Gray Spray Valve
2	010476-45	#27 Washer
3	000907-45	Spray Valve Hold Down Ring
4	002987-40	Grip Handle Assembly w/ Washers
5	001014-45	Washer, B-0100 Hose Barrel
6	B-0020-H2A	Flex Hose Assembly Less Handle
7	B-0020-H	20" Flex Hose Assembly
8	002882-40	L-Tube Assembly, 12"
9	004R	Finger Hook Assembly
10	000376-40	3/8" NPT x 32" Length Riser
11	EZ-K	EasyInstall Kit: Bushing, O-Ring, Lock Washer & Loctite 222
12	001065-45	O-Ring
13	014200-45	Star Washer, Anti-Rotation
14	012442-40	Eterna Cartridge LTC w/ Spring Check
15	002711-40	Eterna Cartridge LTC w/ Spring Check, Handle, Index & Screw
16	001660-45	Blue Index-CW
17	002290-45	Lock Washer
18	000965-45	Lock Nut
19	012534-45	Flexible Connector Hose (2)
20	012443-40	Eterna Cartridge RTC w/ Spring Check
21	001638-45	Lever Handle
22	002712-40	Eterna Cartridge RTC w/ Spring Check, Handle, Index & Screw
23	001661-45	Red Index-HW
24	000922-45	Lever Handle Screw

Product Specifications:
Pre-Rinse Unit:
Single Deck Mount Base Mixing Faucet w/ Eterna Cartridges w/ Spring Checks, Lever Handles, Flexible Supply Hoses, 32" Riser, 20" Flex Hose, & B-0107 Spray Valve

Drawn	Checked	Approved
JRM	DMH	JHB
Scale:		Date:
NTS		11/23/11