



**T&S BRASS AND BRONZE WORKS, INC.**

2 Saddleback Cove / P.O. Box 1088  
Travelers Rest, SC 29690



REG. #A2601  
ISO #9001

Model No.

**B-0113-B-TEE**

Item No.

Travelers Rest, SC: 800-476-4103 • Simi Valley, CA: 800-423-0150 • Fax: 864-834-3518 • www.tsbrass.com

This Space for Architect/Engineer Approval

Job Name \_\_\_\_\_ Date \_\_\_\_\_

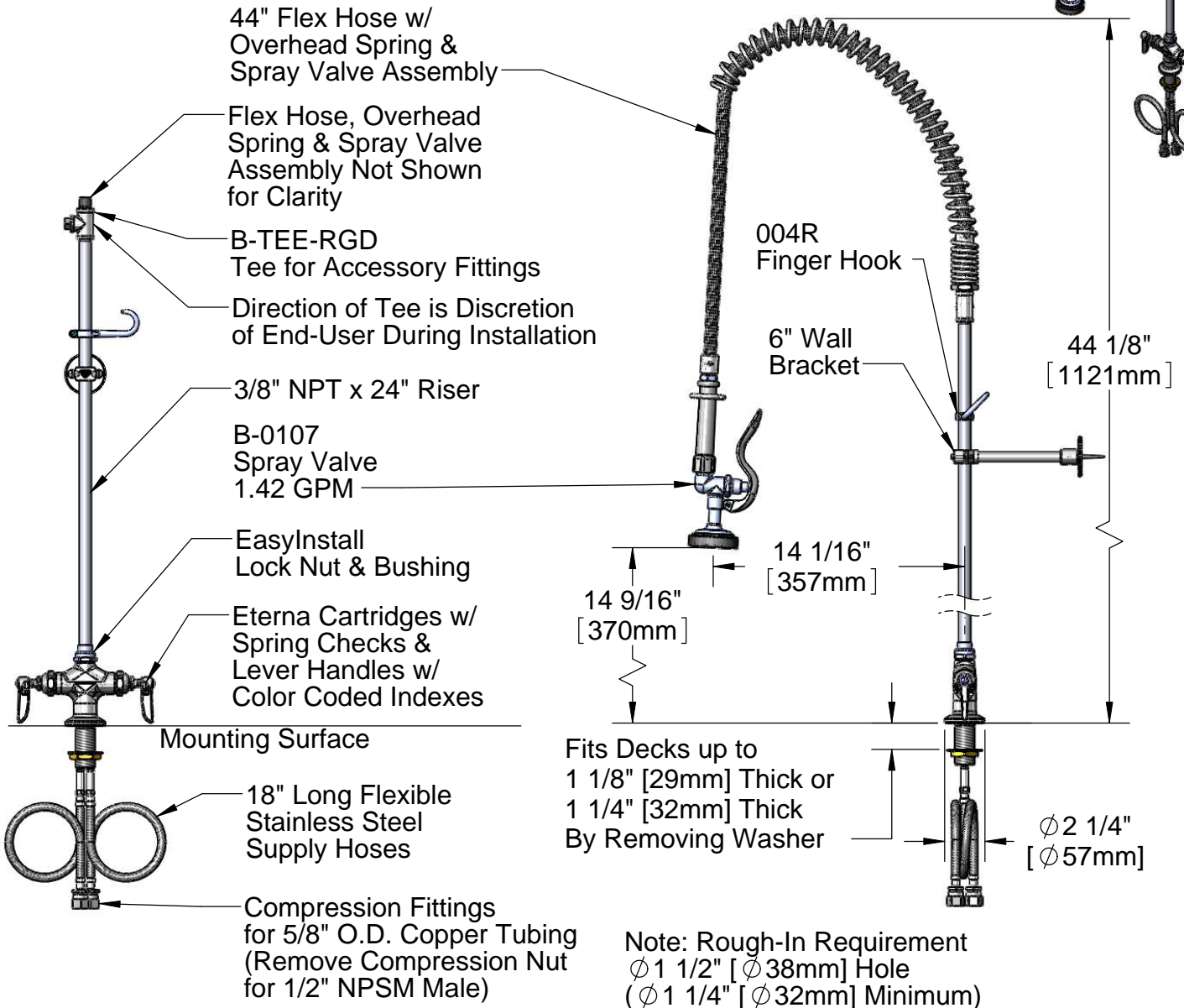
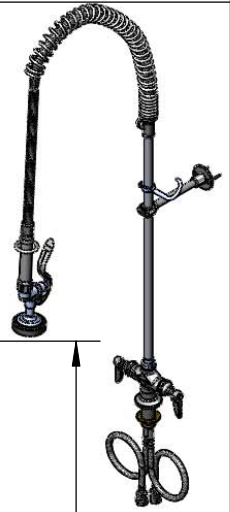
Model Specified \_\_\_\_\_ Quantity \_\_\_\_\_

Customer/Wholesaler \_\_\_\_\_

Contractor \_\_\_\_\_

Architect/Engineer \_\_\_\_\_

**EPAct 2005 Compliant**



Product Specifications:  
EasyInstall Pre-Rinse Unit:  
Single Deck Mount Faucet, Flex Supply Hoses, 24" Riser,  
Overhead Spring, 44" Flex Hose, 6" Wall Bracket,  
Accessory Fitting Tee & B-0107 Spray Valve

Drawn	Checked	Approved
JRM	DMH	JHB
Scale:	Date:	
1:9	05/05/11	



**T&S BRASS AND BRONZE WORKS, INC.**

2 Saddleback Cove / P.O. Box 1088  
Travelers Rest, SC 29690



REG. #A2601  
ISO #9001

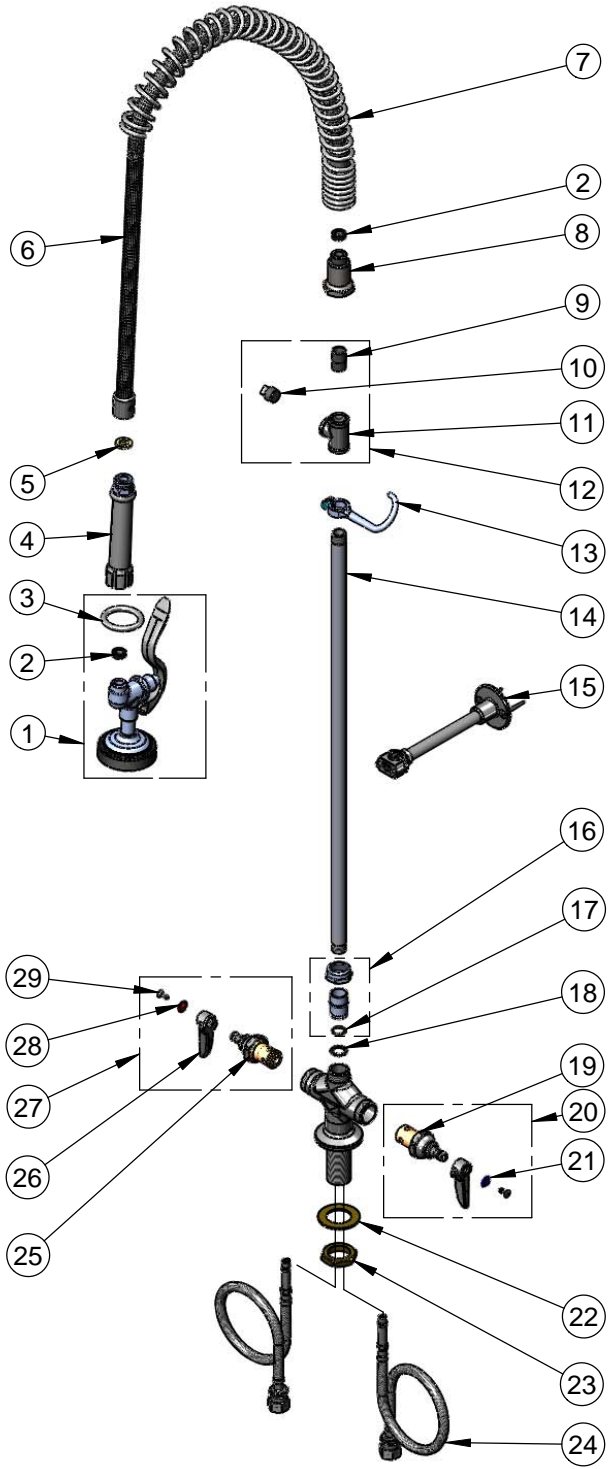
Model No.

**B-0113-B-TEE**

Item No.

Travelers Rest, SC: 800-476-4103 • Simi Valley, CA: 800-423-0150 • Fax: 864-834-3518 • www.tsbrass.com

ITEM NO.	SALES NO.	DESCRIPTION
1	B-0107	Spray Valve Assembly w/ Hold Down Ring & Washer
2	010476-45	#27 Washer
3	000907-45	Spray Valve Hold Down Ring
4	002987-40	Grip Handle Assembly
5	001014-45	Washer, B-0100 Hose Barrel
6	B-0044-H2A	44" Flex Hose Assembly Less Handle
7	000888-45	EasyInstall Overhead Spring
8	000821-40	Spring Body
9	002535-25	3/8" Close Nipple
10	002369-25	3/8" NPT Plug
11	001614-40	3/8" NPT Tee
12	B-TEE-RGD	Rigid Tee Assembly
13	004R	Finger Hook Assembly
14	000372-40	3/8" NPT x 24" Long Riser
15	B-0109-01	6" Wall Bracket
16	EZ-K	EasyInstall Kit: Bushing, O-Ring, Lock Washer & Loctite 222
17	001065-45	O-Ring
18	014200-45	Star Washer, Anti-Rotation
19	012442-40	Cold Eterna w/ Spring Check
20	002711-40	Cold Eterna w/ Spring Check, Handle, Index & Screw
21	001660-45	Blue Index-CW
22	002290-45	Lock Washer
23	000965-45	Lock Nut
24	012534-45	Flexible Connector Hose (2)
25	012443-40	Hot Eterna w/ Spring Check
26	001638-45	Lever Handle
27	002712-40	Hot Eterna w/ Spring Check, Handle, Index & Screw
28	001661-45	Red Index-HW
29	000922-45	Lever Handle Screw



Product Specifications:

EasyInstall Pre-Rinse Unit:  
Single Deck Mount Faucet, Flex Supply Hoses, 24" Riser,  
Overhead Spring, 44" Flex Hose, 6" Wall Bracket,  
Accessory Fitting Tee & B-0107 Spray Valve

Drawn	Checked	Approved
JRM	DMH	JHB
Scale:		Date:
NTS		05/05/11