

# T&S BRASS AND BRONZE WORKS, INC.

2 Saddleback Cove / P.O. Box 1088  
Travelers Rest, SC 29690

Model No.

**B-0133-ADF10-B**

Item No.

Travelers Rest, SC: 800-476-4103 • Simi Valley, CA: 800-423-0150 • Fax: 864-834-3518 • www.tsbrass.com

This Space for Architect/Engineer Approval

Job Name \_\_\_\_\_ Date \_\_\_\_\_

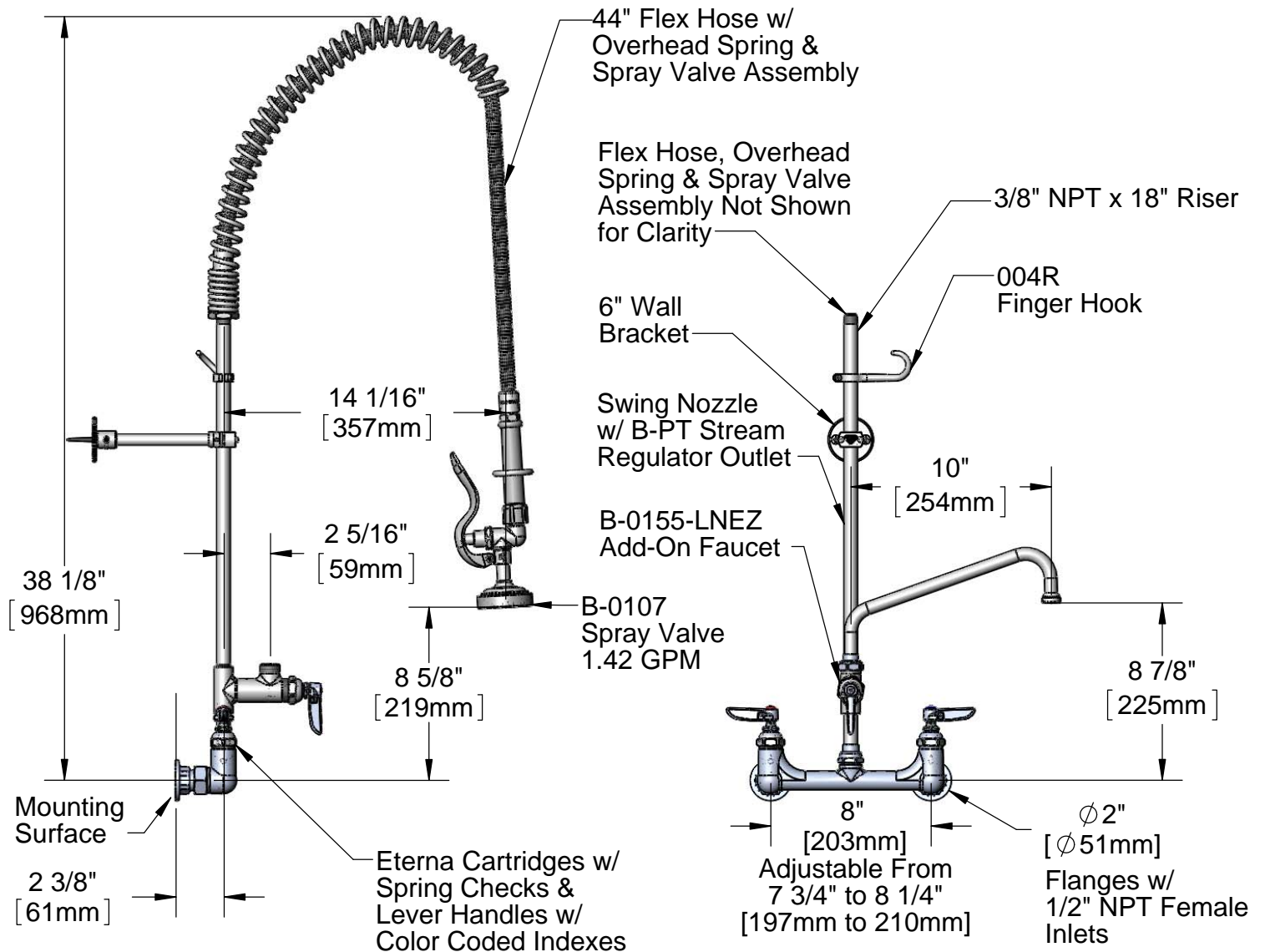
Model Specified \_\_\_\_\_ Quantity \_\_\_\_\_

Customer/Wholesaler \_\_\_\_\_

Contractor \_\_\_\_\_

Architect/Engineer \_\_\_\_\_

## EPAct 2005 Compliant



**Product Specifications:**

**EasyInstall Pre-Rinse Unit:**  
8" c/c Wall Mount Base Faucet w/ 1/2" NPT Female Inlets,  
18" Riser, Overhead Spring, 44" Flex Hose, 10" Add-On Faucet,  
B-0107 Spray Valve & 6" Wall Bracket

Drawn	Checked	Approved
JRM	DMH	JHB
Scale:		Date:
1:8		11/23/11



# T&S BRASS AND BRONZE WORKS, INC.

2 Saddleback Cove / P.O. Box 1088  
Travelers Rest, SC 29690

Model No.

**B-0133-ADF10-B**

Item No.

Travelers Rest, SC: 800-476-4103 • Simi Valley, CA: 800-423-0150 • Fax: 864-834-3518 • www.tsbrass.com

ITEM NO.	SALES NO.	DESCRIPTION
1	B-0107	Spray Valve
2	010476-45	#27 Washer
3	000907-45	Hold Down Ring
4	002987-40	Grip Handle Assembly
5	001014-45	Washer, B-0100 Hose Barrel
6	B-0044-H2A	44" Flex Hose Less Handle
7	000888-45	EasyInstall Overhead Spring
8	000821-40	Spring Body
9	004R	Finger Hook Assembly
10	B-0109-01	6" Wall Bracket
11	000369-40	3/8" NPT x 18" Long Riser
12	B-0155-LNEZ	Easy-Install Add-On Faucet
13	EZ-K	EasyInstall Kit: Bushing, O-Ring, Lock Washer & LocTite 222
14	001065-45	O-Ring
15	014200-45	Star Washer, Anti-Rotation
16	002711-40	Eterna Cartridge LTC w/ Spring Check, Handle, Index & Screw
17	000922-45	Lever Handle Screw
18	001660-45	Blue Index-CW
19	012442-40	Eterna Cartridge LTC w/ Spring Check
20	00AA	Flange Assembly
21	001019-45	Coupling Nut Washer
22	012443-40	Eterna Cartridge RTC w/ Spring Check
23	002712-40	Eterna Cartridge RTC w/ Spring Check, Handle, Index & Screw
24	001638-45	Lever Handle
25	001661-45	Red Index-HW
26	007947-40	Add-On 1/4 Turn Cartridge
27	B-PT	Stream Regulator Outlet
28	001048-45	Nozzle Tip Washer
29	061X	10" Swing Nozzle

Product Specifications:  
EasyInstall Pre-Rinse Unit:  
8" c/c Wall Mount Base Faucet w/ 1/2" NPT Female Inlets,  
18" Riser, Overhead Spring, 44" Flex Hose, 10" Add-On Faucet,  
B-0107 Spray Valve & 6" Wall Bracket

Drawn	Checked	Approved
JRM	DMH	JHB
Scale:		Date:
NTS		11/23/11