



**T&S BRASS AND BRONZE WORKS, INC.**

2 Saddleback Cove / P.O. Box 1088  
Travelers Rest, SC 29690

Model No.

**B-0133-ADF12**

Item No.

Travelers Rest, SC: 800-476-4103 • Simi Valley, CA: 800-423-0150 • Fax: 864-834-3518 • www.tsbrass.com

**EPAct2005 COMPLIANT**

This Space for Architect/Engineer Approval

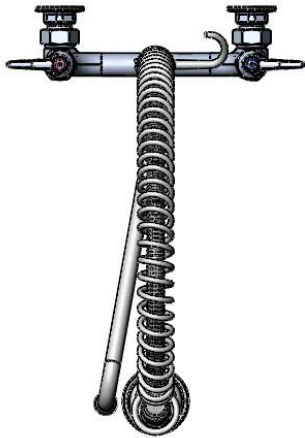
Job Name \_\_\_\_\_ Date \_\_\_\_\_

Model Specified \_\_\_\_\_ Quantity \_\_\_\_\_

Customer/Wholesaler \_\_\_\_\_

Contractor \_\_\_\_\_

Architect/Engineer \_\_\_\_\_



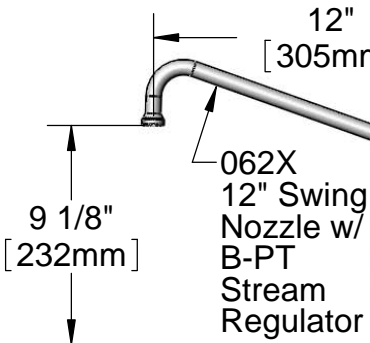
Flex Hose, Overhead Spring, & Spray Valve Not Shown for Clarity

004R Finger Hook

B-0044-H Stainless Steel Flex Hose w/ Polyurethane Inner Hose

000369-40 3/8" NPT x 18" Riser

37 11/16" [957mm]



B-0107 Spray Valve 1.42 GPM

14 1/16" [357mm]

2 5/16" [59mm]

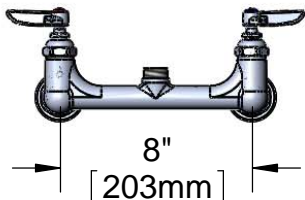
9 1/8" [232mm]

062X 12" Swing Nozzle w/ B-PT Stream Regulator

12" [305mm]

8 1/8" [206mm]

4 7/16" [112mm]



Adjustable from 7 3/4" to 8 1/4" [197mm to 210mm]

B-0155-LNEZ Add-On Faucet

2 3/8" [61mm]

Ø 2" [51mm] Flanges w/ 1/2" NPT Female Inlets

Product Specifications:

EasyInstall Pre-Rinse Wall Mount Mixing Faucet, Eterna Cartridges w/ Spring Checks, B-0044-H Stainless Steel Flex Hose, B-0107 Spray Valve & Add-On Faucet w/ 062X 12" Swing Nozzle

Drawn

JRM

Checked

DMH

Approved

JHB

Scale:

1:8

Date:

03/27/12



# T&S BRASS AND BRONZE WORKS, INC.

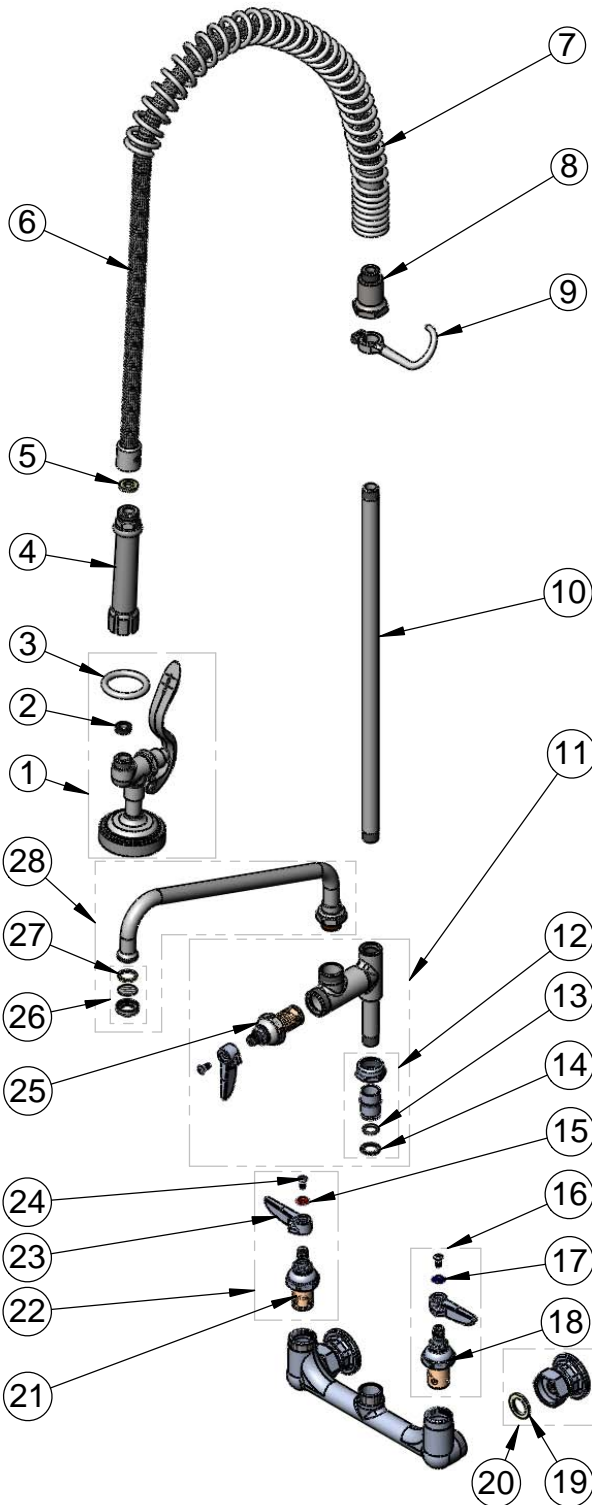
2 Saddleback Cove / P.O. Box 1088  
Travelers Rest, SC 29690

Model No.

**B-0133-ADF12**

Item No.

Travelers Rest, SC: 800-476-4103 • Simi Valley, CA: 800-423-0150 • Fax: 864-834-3518 • www.tsbrass.com



ITEM NO.	SALES NO.	DESCRIPTION
1	B-0107	Spray Valve Assembly
2	010476-45	#27 Washer
3	000907-45	Spray Valve Hold Down Ring
4	002987-40	Handle Grip
5	001014-45	Washer, B-0100 Hose Barrel
6	B-0044-H2A	SS Flex Hose
7	000888-45	EasyInstall Overhead Spring
8	000821-40	Spring Body
9	004R	Finger Hook Assembly
10	000369-40	3/8" NPT x 18" Long Riser
11	B-0155-LNEZ	EasyInstall Add-On Faucet Less Nozzle
12	EZ-K	EasyInstall Retro Fit Kit, Nut, Bushing O-Ring & Lock Washer
13	001065-45	EasyInstall O-Ring
14	014200-45	Star Washer, Anti-Rotation
15	001661-45	Red Index-HW
16	002711-40	Eterna Cartridge (LTC) w/ Spring Check, Handle, Index & Screw
17	001660-45	Blue Index-CW
18	012442-40	Eterna Cartridge (LTC) w/ Spring Check
19	001019-45	Coupling Nut Washer
20	00AA	Coupling Flange Assembly
21	012443-40	Eterna Cartridge (RTC) w/ Spring Check
22	002712-40	Eterna Cartridge (RTC) w/ Spring Check, Handle, Index & Screw
23	001638-45	Lever Handle
24	000922-45	Lever Handle Screw
25	007947-40	1/4 Turn RTC Eterna Cartridge
26	B-PT	Stream Regulator Outlet
27	001048-45	Nozzle Tip Washer
28	062X	12" Swing Nozzle Assembly

**Product Specifications:**

EasyInstall Pre-Rinse Wall Mount Mixing Faucet, Eterna Cartridges w/ Spring Checks, B-0044-H Stainless Steel Flex Hose, B-0107 Spray Valve & Add-On Faucet w/ 062X 12" Swing Nozzle

Drawn	Checked	Approved
<b>JRM</b>	<b>DMH</b>	<b>JHB</b>
Scale:		Date:
<b>NTS</b>		<b>03/27/12</b>