



T&S BRASS AND BRONZE WORKS, INC.

2 Saddleback Cove / P.O. Box 1088
Travelers Rest, SC 29690

Model No.

B-7245-03

Item No.

Travelers Rest, SC: 800-476-4103 • Simi Valley, CA: 800-423-0150 • Fax: 864-834-3518 • www.tsbrass.com

This Space for Architect/Engineer Approval

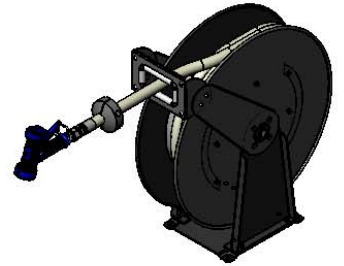
Job Name _____ Date _____

Model Specified _____ Quantity _____

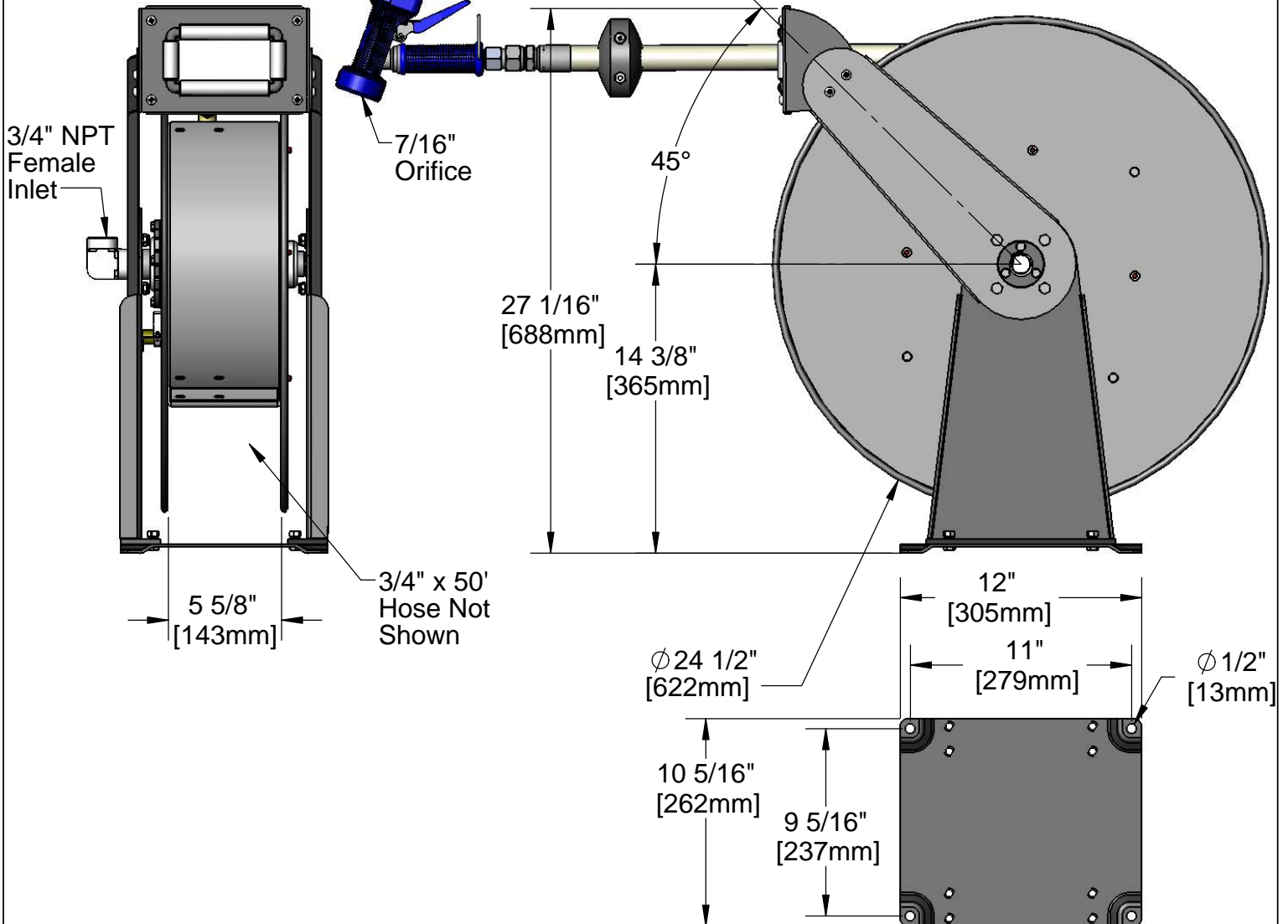
Customer/Wholesaler _____

Contractor _____

Architect/Engineer _____



MV-2516-34
Rear Trigger Water Gun
w/ Stainless Steel Body &
Royal Blue Rubber Cover



Product Specifications:
Epoxy Coated Open Hose Reel w/ 3/4" x 50' Creamery
Hose, MV-2516-34 Rear Trigger Water Gun & Double
Arm Support

Drawn	Checked	Approved
JRM	DHL	JHB
Scale:	Date:	
1:8	04/05/12	