



T&S BRASS AND BRONZE WORKS, INC.
 2 Saddleback Cove / P.O. Box 1088
 Travelers Rest, SC 29690

Model No.
B-CVH1-2

Item No.

Travelers Rest, SC: 800-476-4103 • Simi Valley, CA: 800-423-0150 • Fax: 864-834-3518 • www.tsbrass.com

This Space for Architect/Engineer Approval

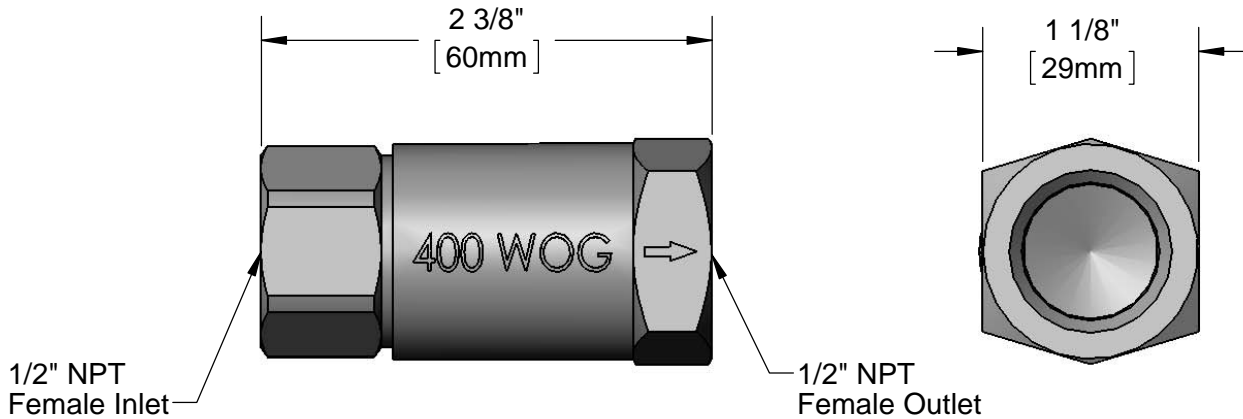
Job Name _____ Date _____

Model Specified _____ Quantity _____

Customer/Wholesaler _____

Contractor _____

Architect/Engineer _____



Notes:

1. Maximum Pressure 400 PSI at 200° F
2. Not to be Used For Natural Gas Applications.

Product Specifications:
 Horizontal Check Valve For Water Use Only
 w/ 1/2" NPT Inlet & Outlet

Drawn DHL	Checked DMH	Approved JHB
Scale: 1:1		Date: 11/02/12