



**T&S BRASS AND BRONZE WORKS, INC.**  
 2 Saddleback Cove / P.O. Box 1088  
 Travelers Rest, SC 29690

Model No.  
**EB-0107**

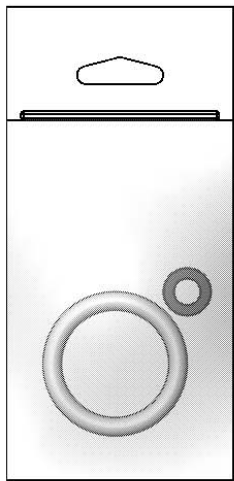
Item No.

Travelers Rest, SC: 800-476-4103 • Simi Valley, CA: 800-423-0150 • Fax: 864-834-3518 • www.tsbrass.com

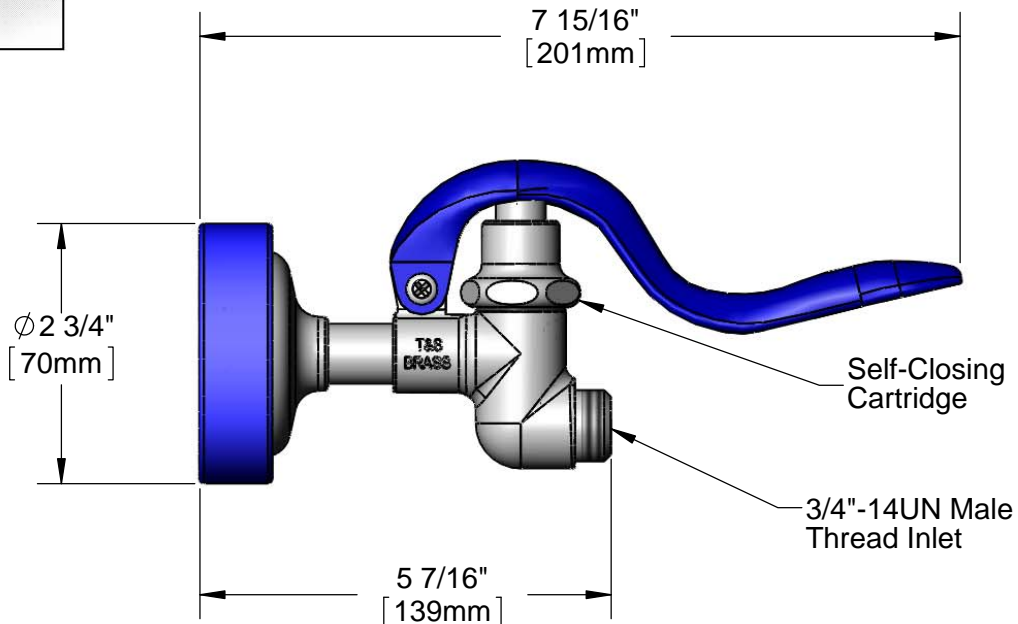
This Space for Architect/Engineer Approval

Job Name \_\_\_\_\_ Date \_\_\_\_\_  
 Model Specified \_\_\_\_\_ Quantity \_\_\_\_\_  
 Customer/Wholesaler \_\_\_\_\_  
 Contractor \_\_\_\_\_  
 Architect/Engineer \_\_\_\_\_

**EPAct 2005 Non-Compliant**

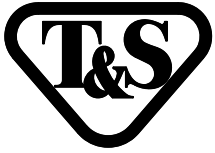


Furnished w/ Hose Washer & Hold Down Ring



Product Specifications:  
 Self-Closing Pre-Rinse Spray Valve w/ High Flow Spray Face

Drawn <b>JRM</b>	Checked <b>KJG</b>	Approved <b>JHB</b>
Scale: <b>1:2</b>		Date: <b>06/26/12</b>



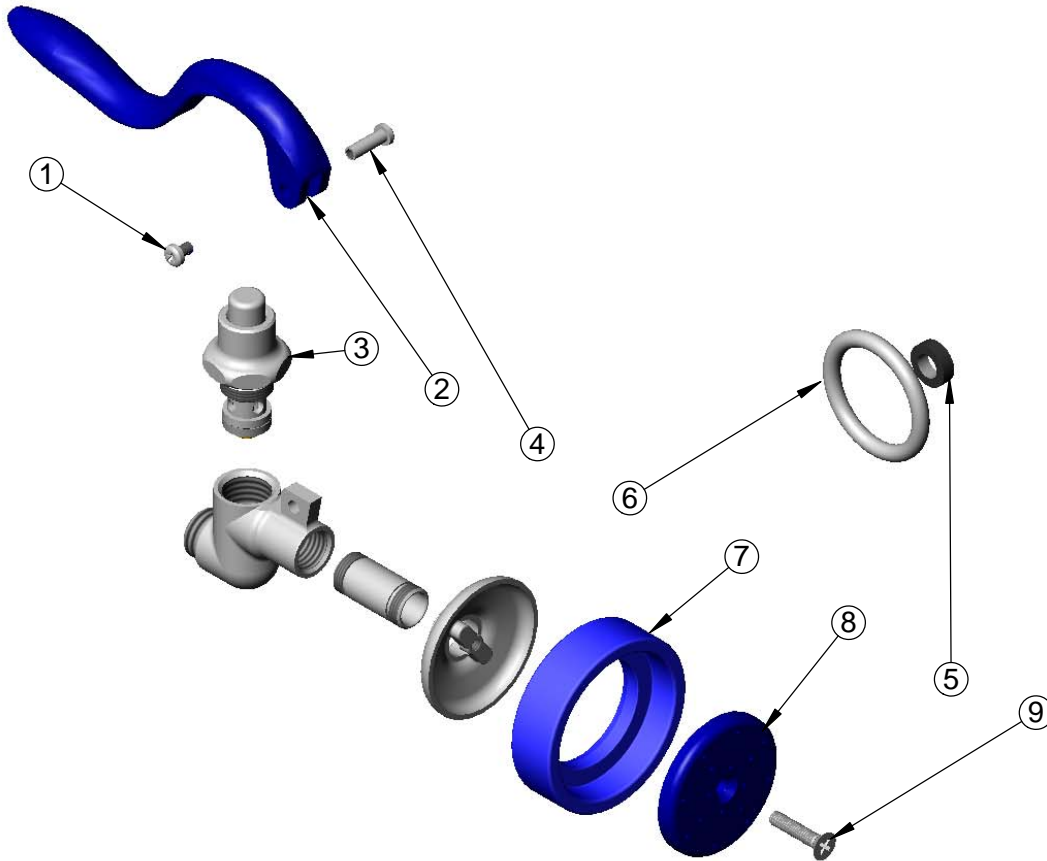
**T&S BRASS AND BRONZE WORKS, INC.**  
 2 Saddleback Cove / P.O. Box 1088  
 Travelers Rest, SC 29690

Model No.  
**EB-0107**

Item No.

Travelers Rest, SC: 800-476-4103 • Simi Valley, CA: 800-423-0150 • Fax: 864-834-3518 • www.tsbrass.com

ITEM NO.	SALES NO.	DESCRIPTION
1	003199-45	Handle Screw, Spray Valve
2	011454-45	Handle, Blue Spray Valve
3	010594-40	Bonnet Asm, Spray Valve
4	003198-45	Handle Nut, Spray Valve
5	010476-45	#27 Washer
6	000907-45	Hold Down Ring Assembly
7	011475-45	Blue Sprayhead Ring
8	011456-45	Blue Spray Face, High Flow
9	000913-45	Screw, Sprayface



Product Specifications:  
 Self-Closing Pre-Rinse Spray Valve w/ High Flow Spray Face

Drawn <b>JRM</b>	Checked <b>KJG</b>	Approved <b>JHB</b>
---------------------	-----------------------	------------------------

Scale: <b>NTS</b>	Date: <b>06/26/12</b>
----------------------	--------------------------