



T&S BRASS AND BRONZE WORKS, INC.

2 Saddleback Cove / P.O. Box 1088
Travelers Rest, SC 29690

Model No.

EC-3100-LN

Item No.

Travelers Rest, SC: 800-476-4103 • Simi Valley, CA: 800-423-0150 • Fax: 864-834-3518 • www.tsbrass.com



ADA Compliant

This Space for Architect/Engineer Approval

Job Name _____ Date _____

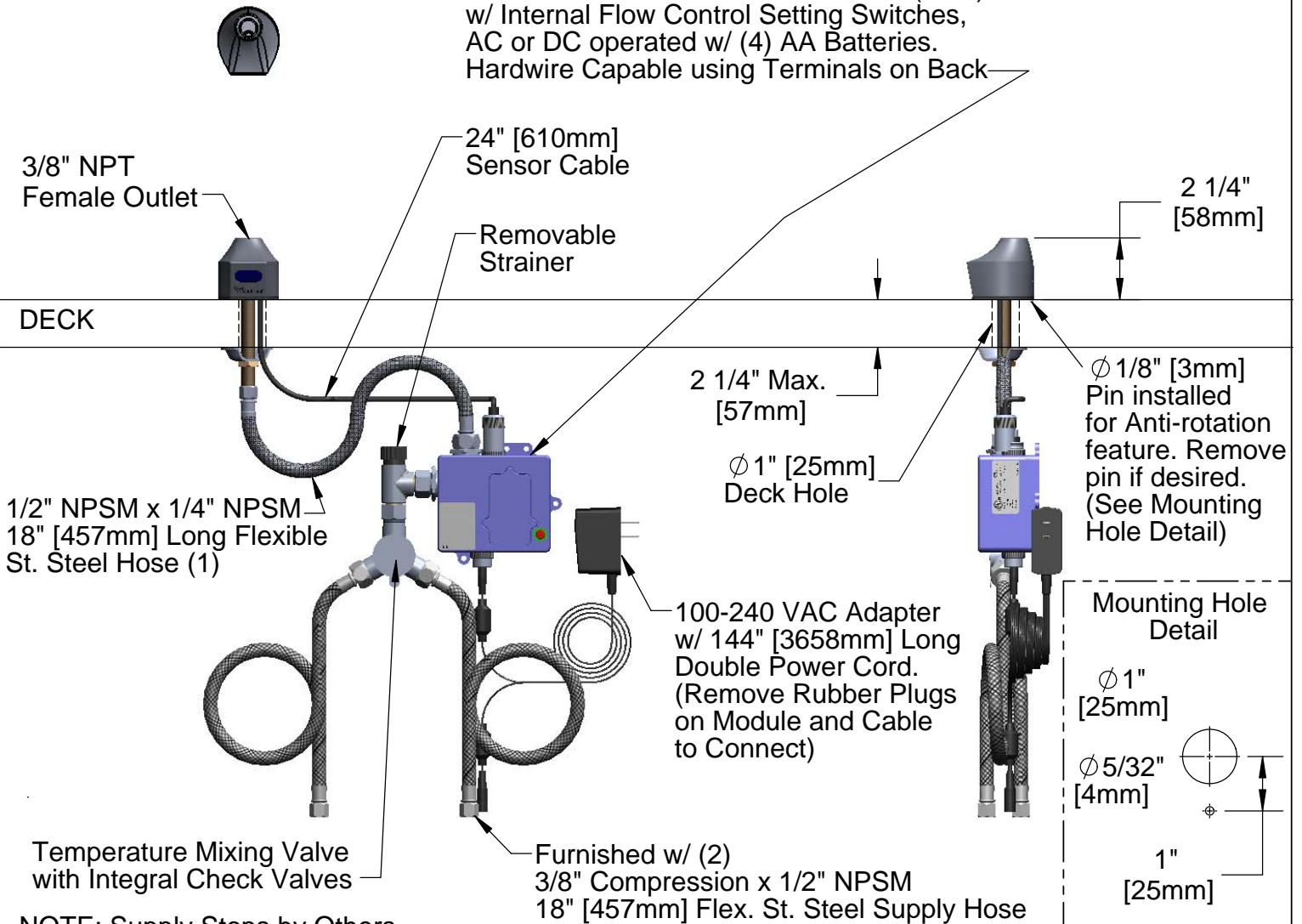
Model Specified _____ Quantity _____

Customer/Wholesaler _____

Contractor _____

Architect/Engineer _____

3 5/8" x 4 3/16" x 2" Deep
[92mm x 106mm x 51mm]
Water Resistant Control Module Box (Blue)
w/ Internal Flow Control Setting Switches,
AC or DC operated w/ (4) AA Batteries.
Hardwire Capable using Terminals on Back



NOTE: Supply Stops by Others

Product Specifications:

Chrome Plated Brass Electronic Faucet: Deck Mount (Less Gooseneck and Aerator), AC/DC Control Module with Internal Flow Control Setting Switches, Temperature Control Mixing Valve, 18" Long Hot & Cold Supply Stop Flexible Connector Hoses

Drawn

KJG

Checked

GEF

Approved

JHB

Scale:

1:6

Date:

03/30/12



T&S BRASS AND BRONZE WORKS, INC.

2 Saddleback Cove / P.O. Box 1088
Travelers Rest, SC 29690

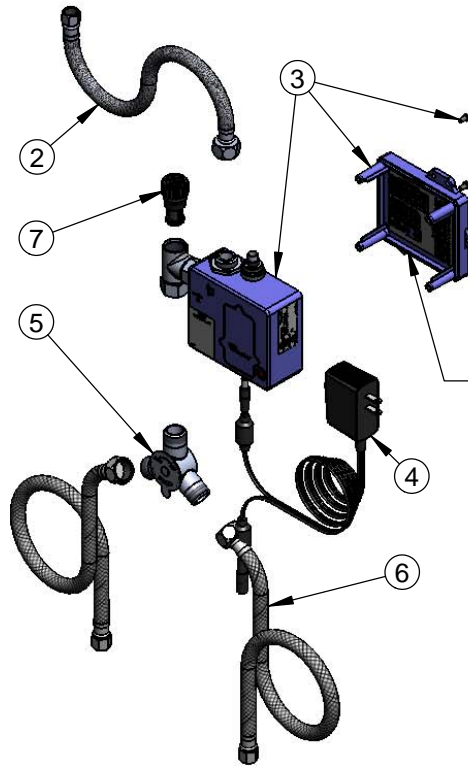
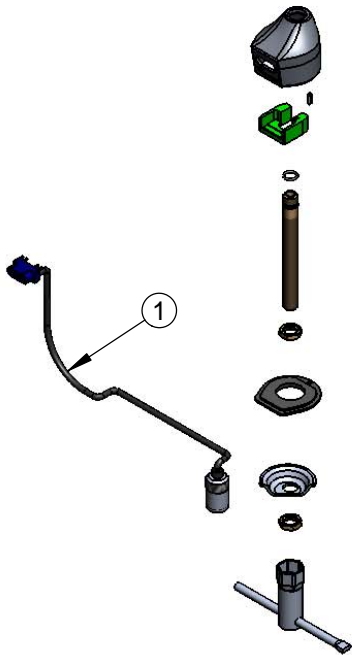
Model No.

EC-3100-LN

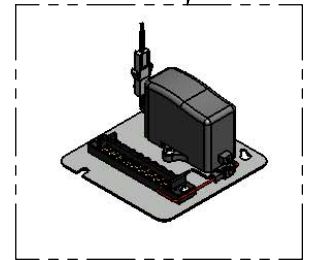
Item No.

Travelers Rest, SC: 800-476-4103 • Simi Valley, CA: 800-423-0150 • Fax: 864-834-3518 • www.tsbrass.com

ITEM NO.	SALES NUMBER	DESCRIPTION
1	017195-45	Angled Sensor w/ Cable
2	016297-45	Inlet Hose, Faucet, 1/2" NPSM-F x 1/4" NPSM-F
3	016647-45	ChekPoint Module (Blue)
4	5EF-0002	A/C Transformer
5	5EF-0006	Mechanical Mixing Valve
6	5EF-0005	Supply Hose, 9/16-24 Female x 1/2" NPSM
7	EC-FILTER	Replacement Filter



A maximum of (8) ChekPoint Faucets can be hardwire connected and powered by ChekPoint Hardwire AC Transformer. EC-HARDWIRE (Sold Separately)



Label for Flow Control Switch Settings is located on Inside of Back Cover.

Flow Control Switches are located inside Module Housing in Black Box next to Battery Compartment.
*Switches are set to DEFAULT position:
Auto Time Out = 10 seconds
Shut Off Delay = 1 second
Auto Flush = OFF

Remove (4) screws and back cover to access switches.

***Available Water Flow Control Selections:**

(6) Auto Time Out Selections - 10 sec, 25 sec, 45 sec, 60 sec, 3 min, 20 min

(4) Shut Off Delay Selections - 1 sec, 2 sec, 4 sec, 10 sec

Auto Flush for 30 Seconds After Every 12 Inactive Hours - ON or OFF

Product Specifications:

Chrome Plated Brass Electronic Faucet: Deck Mount (Less Gooseneck and Aerator), AC/DC Control Module with Internal Flow Control Setting Switches, Temperature Control Mixing Valve, 18" Long Hot & Cold Supply Stop Flexible Connector Hoses

Drawn

KJG

Checked

GEF

Approved

JHB

Scale:

NTS

Date:

03/30/12